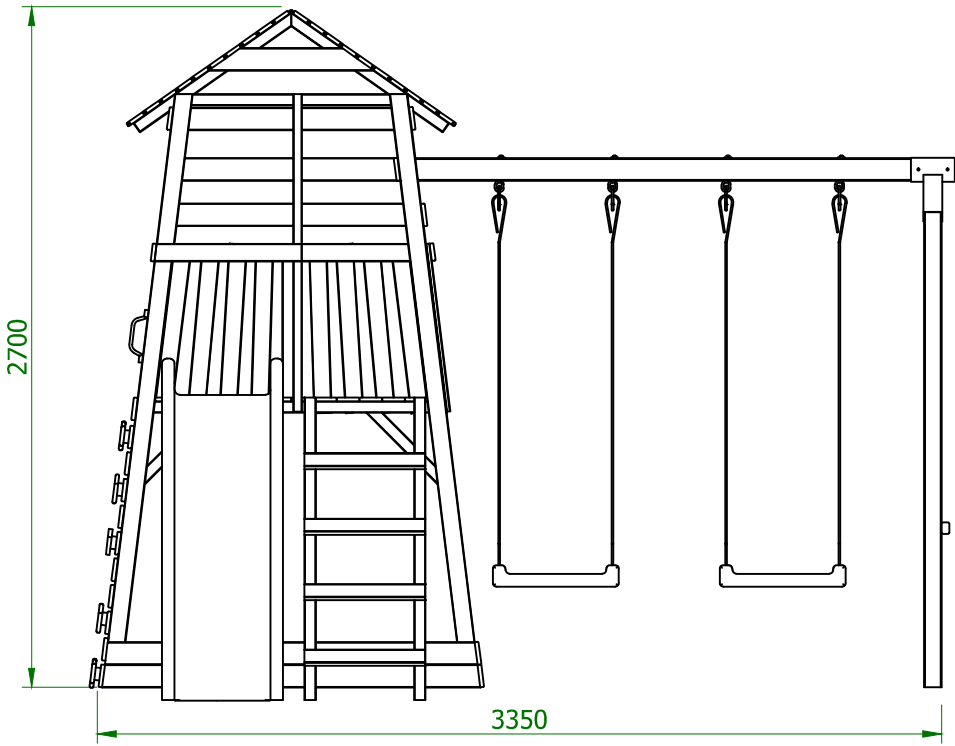
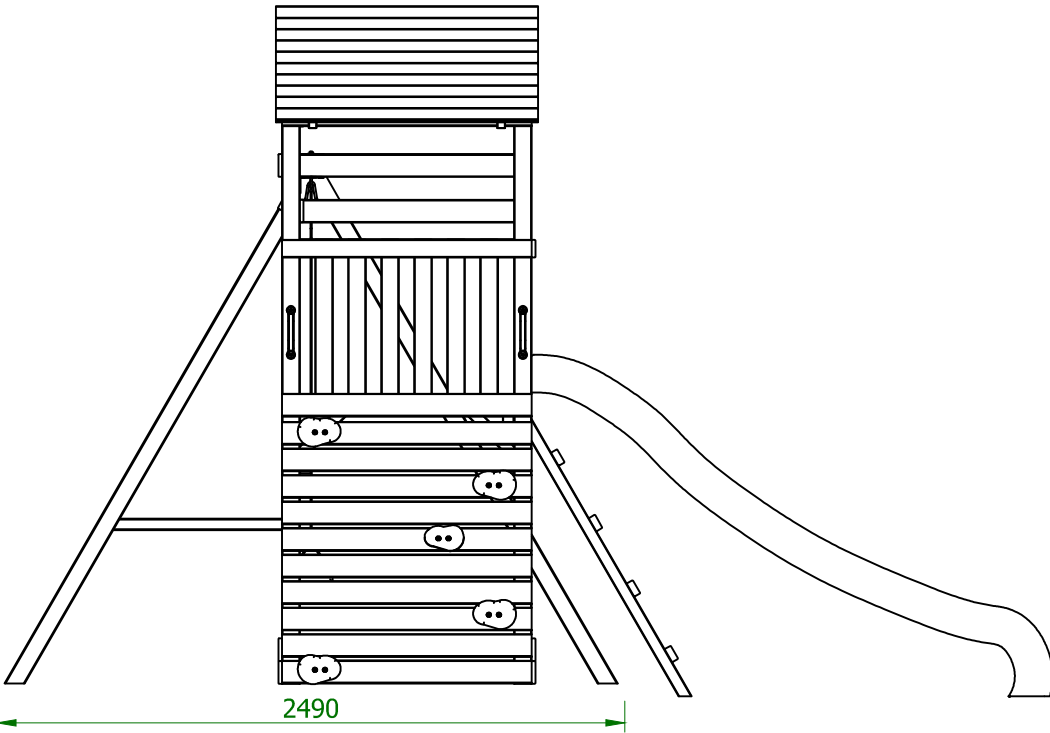
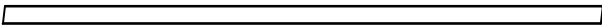
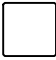
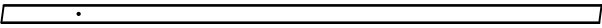

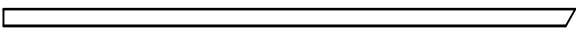

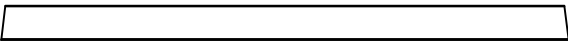

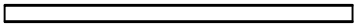

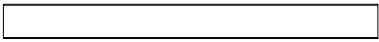



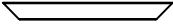

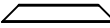

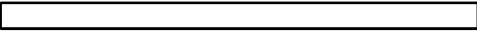
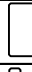
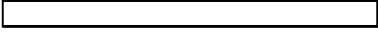

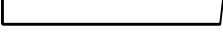

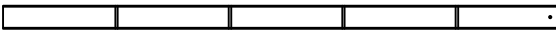

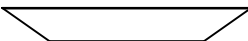
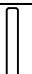
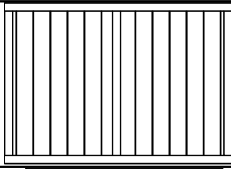

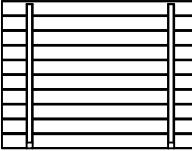

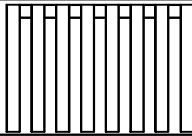

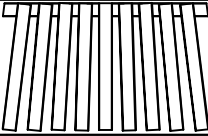

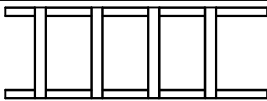

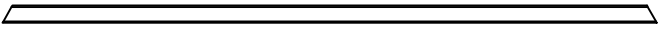

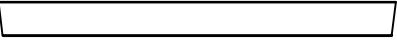

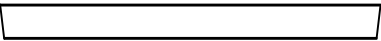

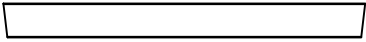

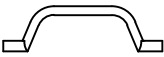
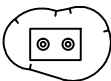

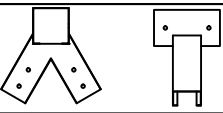


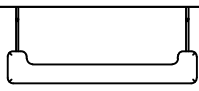
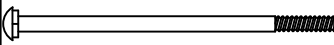
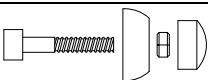






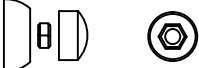


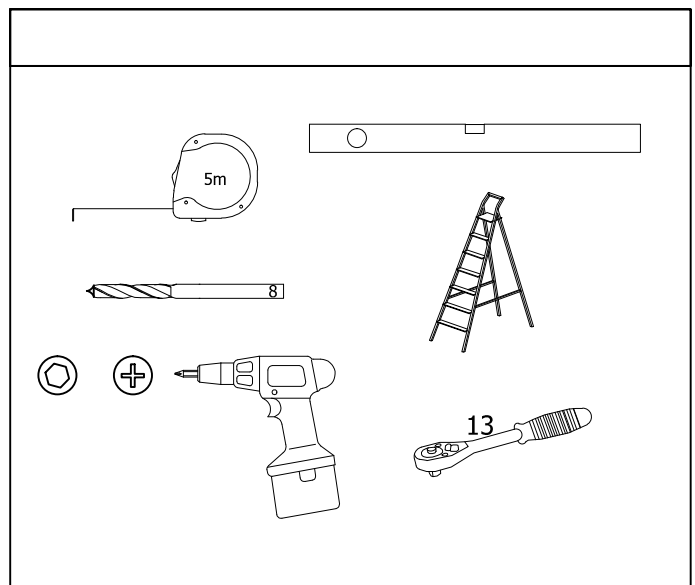
WISORIA GmbH
Lüttke Haar 13
59602 Rüthen

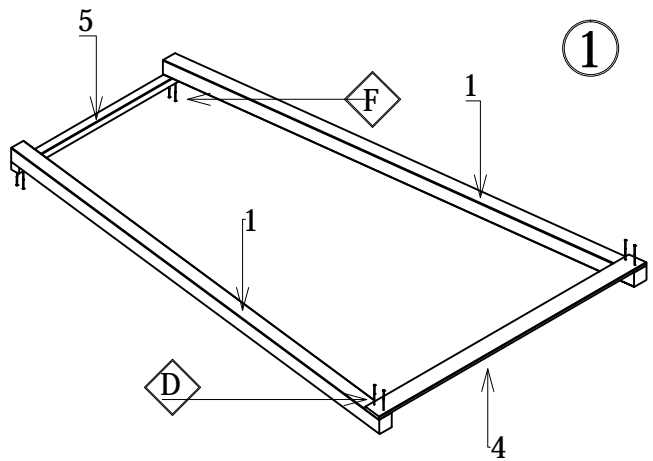


ref.			DIM.	PCS
1			70x70x2380mm	3
2			70x70x2380mm	1
3			70x70x2270mm	2
4			15x90x1500mm	2
5			35x45x920mm	2
6			15x90x990mm	17
7			15x90x1478mm	2
8			45x45x450mm	4
9			45x45x300mm	4
10			35x70x1250mm	1
11			15x70x990mm	1
12			15x70x585mm	1
13			90x90x2200mm	1
14			15x90x660mm	2
15			850x1220x60mm	1
16			800x1040x60mm	2
17			990x670x30mm	1
18			1085x670x30mm	1
19			1410x480x73mm	1
20			30x45x1730mm	1
21			15x90x1040mm	1
22			15x90x1000mm	1
23			15x90x960mm	1

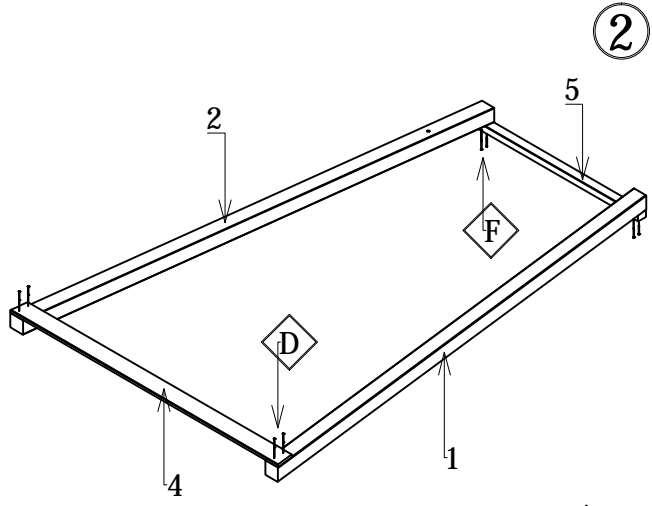
ref.		PCS
I		2
II		5
III		1
IV		1
V		4
VI		1
VII		2

ref.		PCS
A	 M8x170	1
B	 M8x60	10
C	 4x35	8
D	 4x45	100
E	 4x50	23
F	 4x70	66
G	 M6x40	4
H	 M8x60	6
I		1

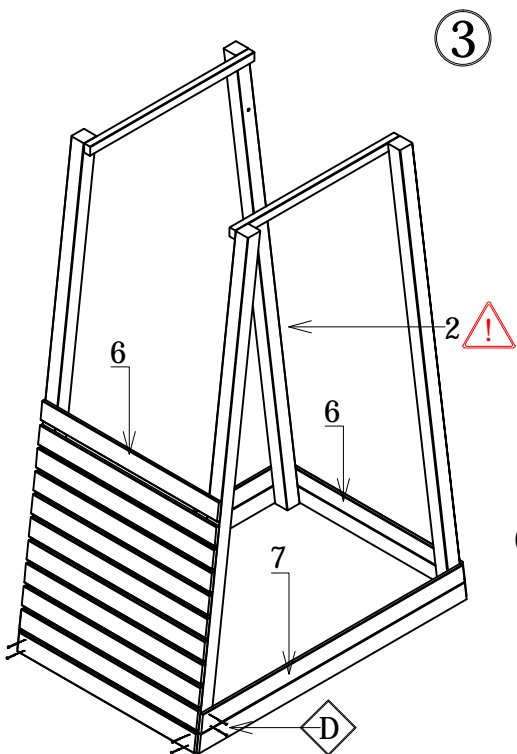




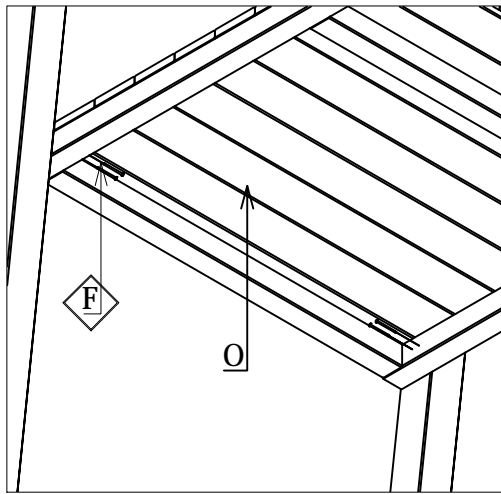
- 4x
- 4x



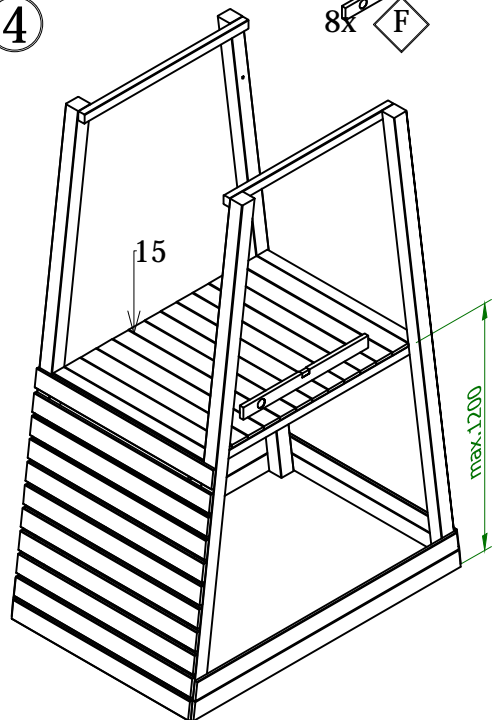
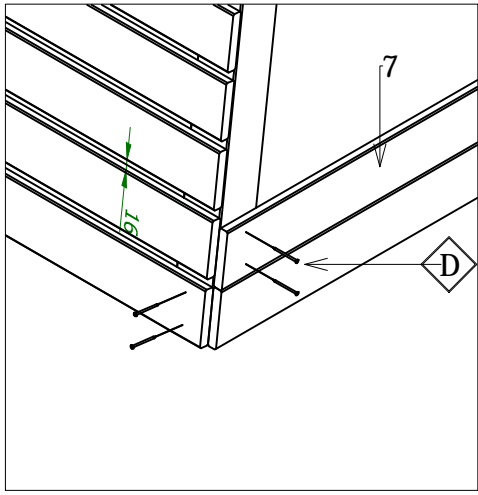
- 4x
- 4x





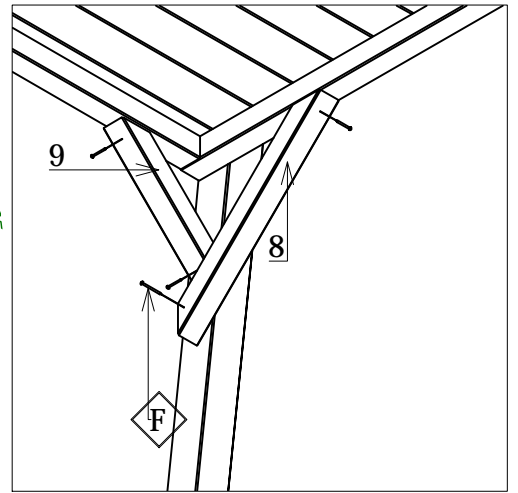
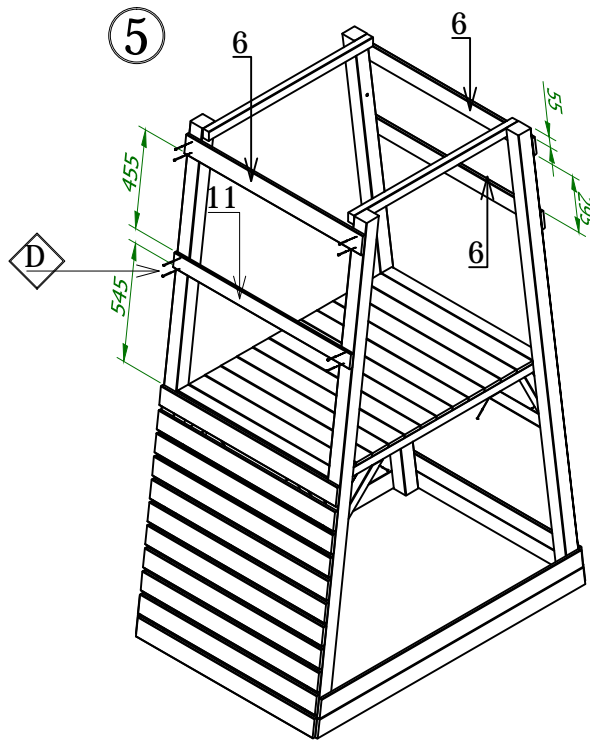
- 68x





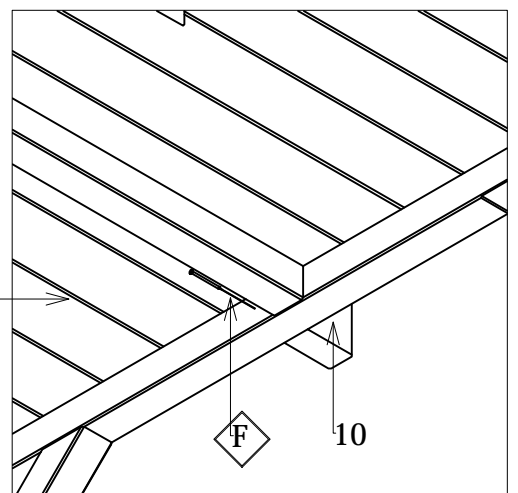
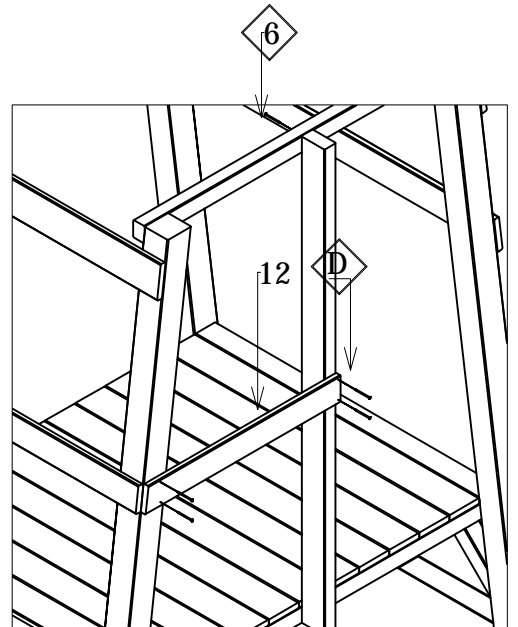
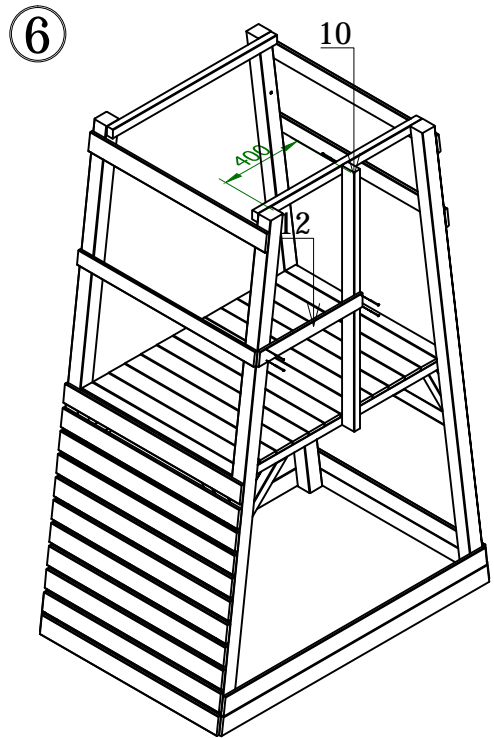
- 8x



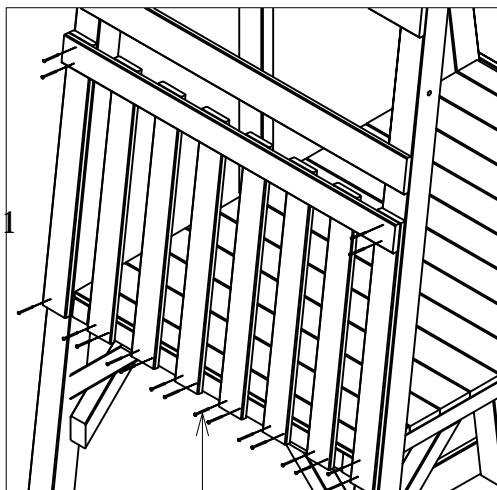
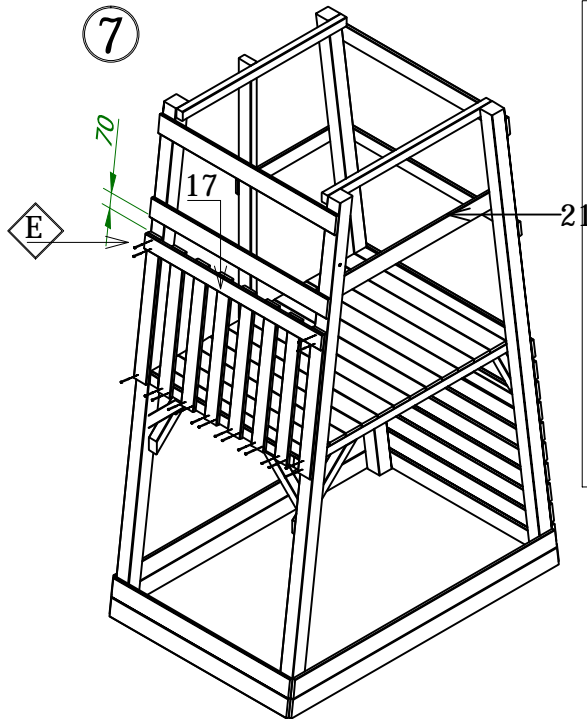
- 4x 
- 16x 



- 2x 
- 4x 

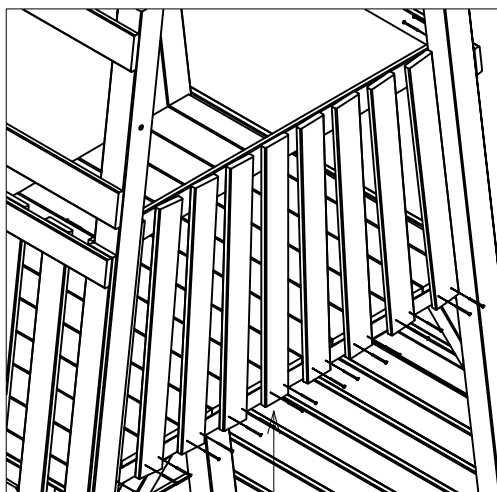
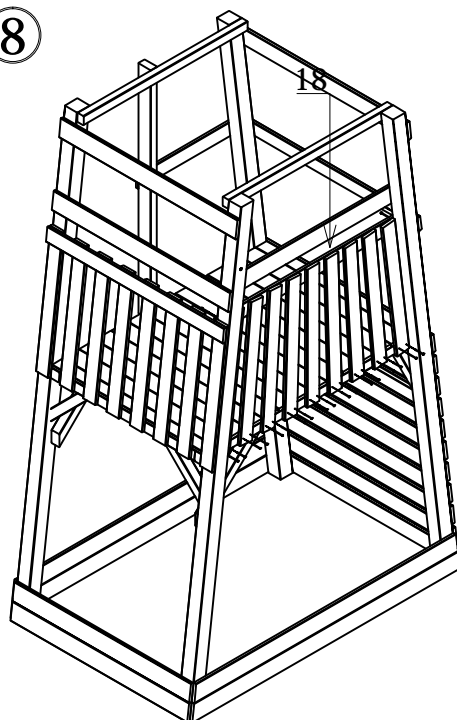


7



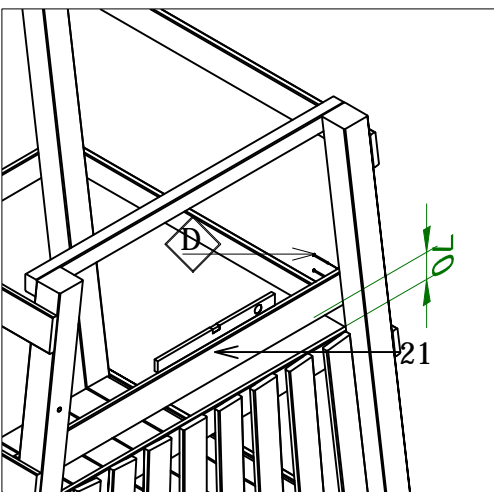
20x E

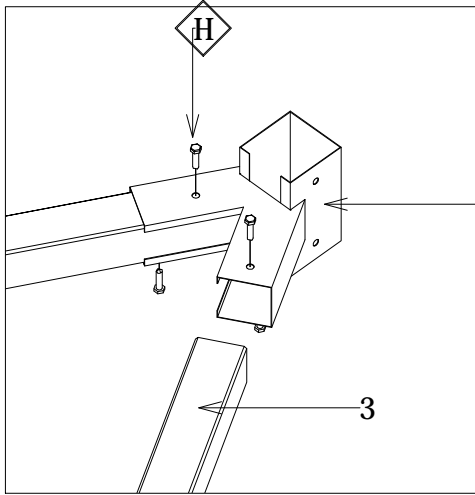
8



22x E

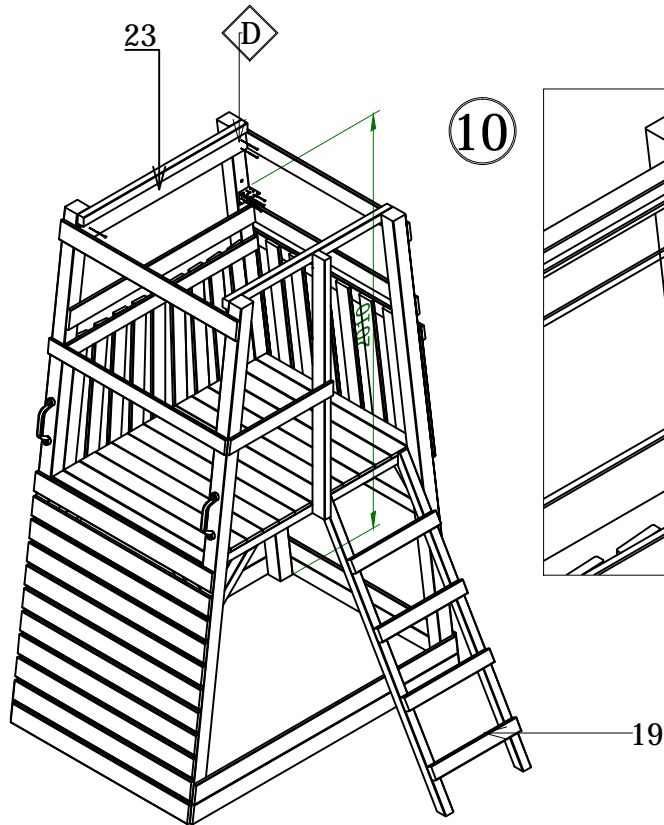
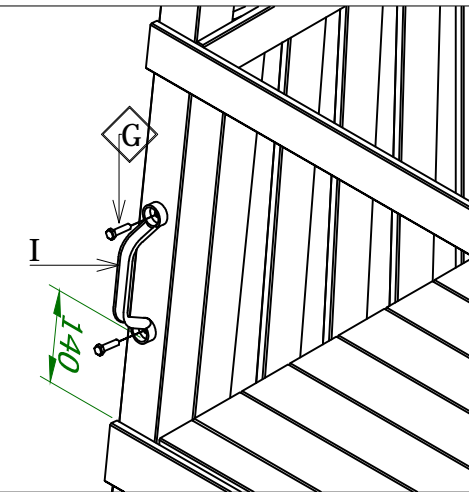
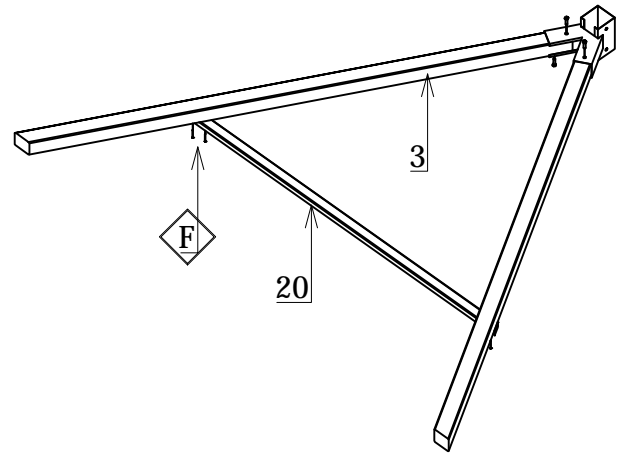
4x D



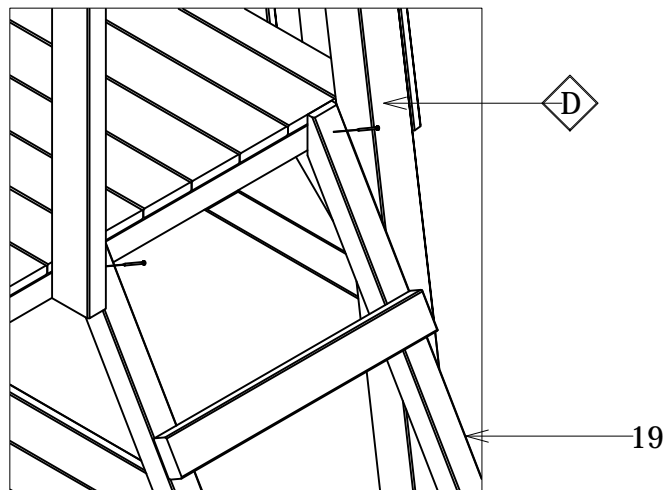
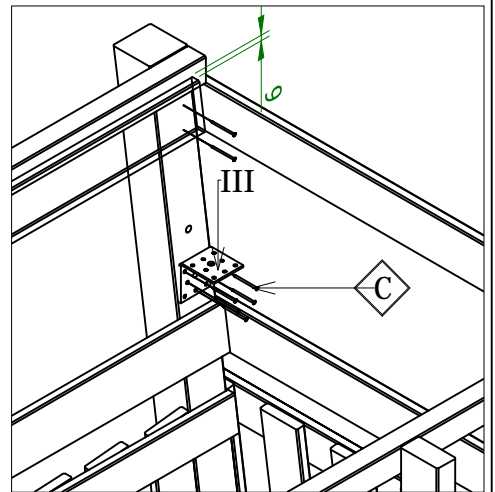


- 4x H
- 4x F

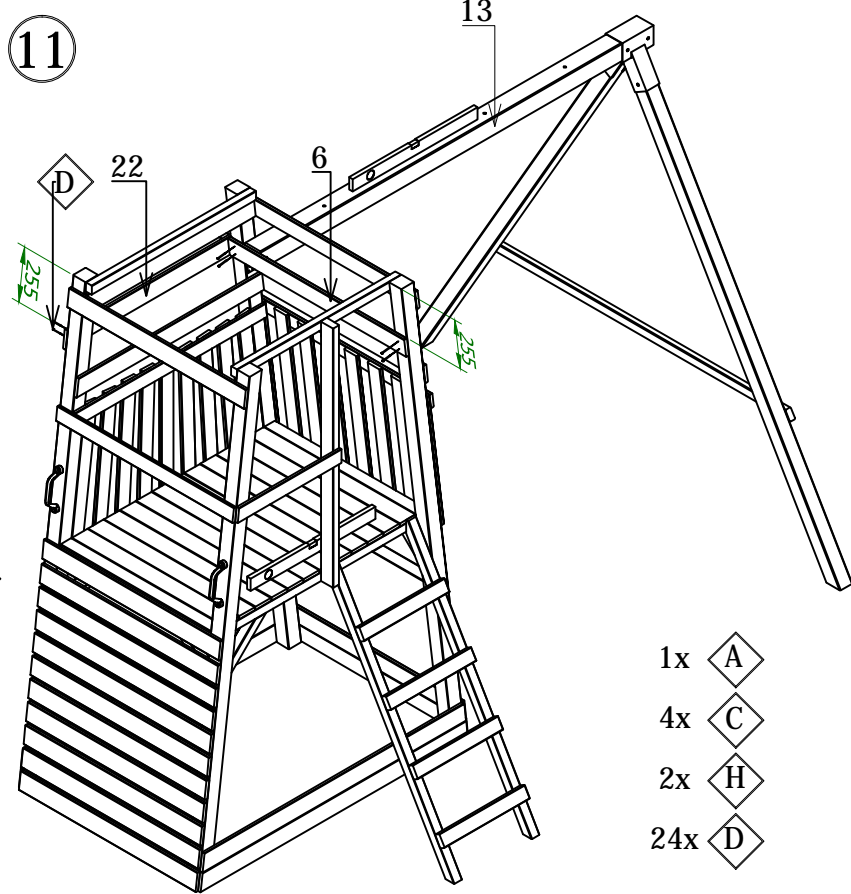
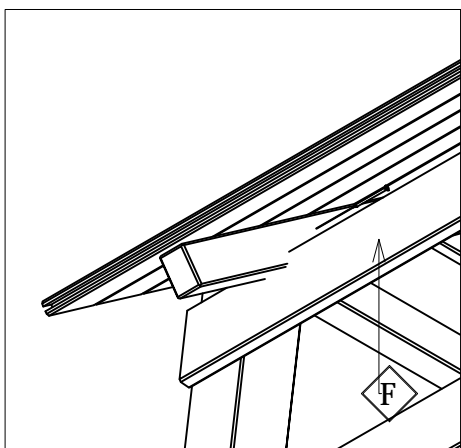
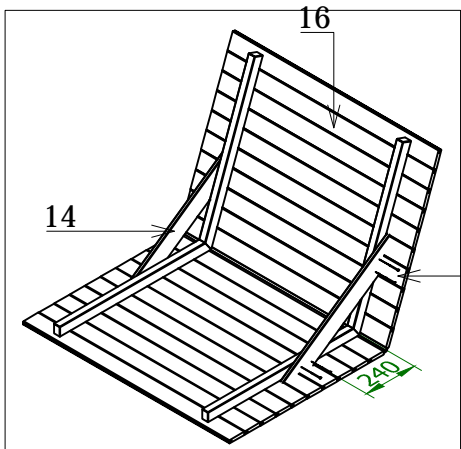
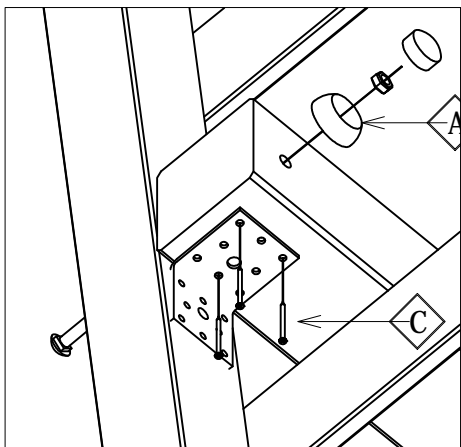
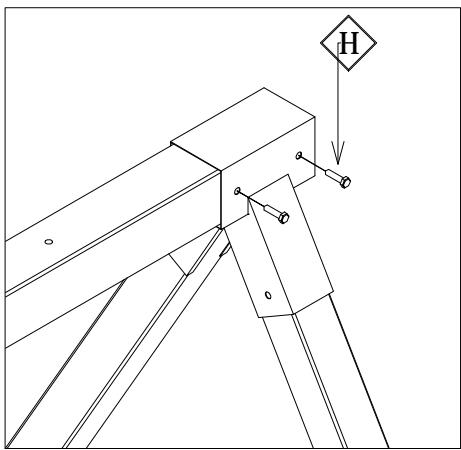
9



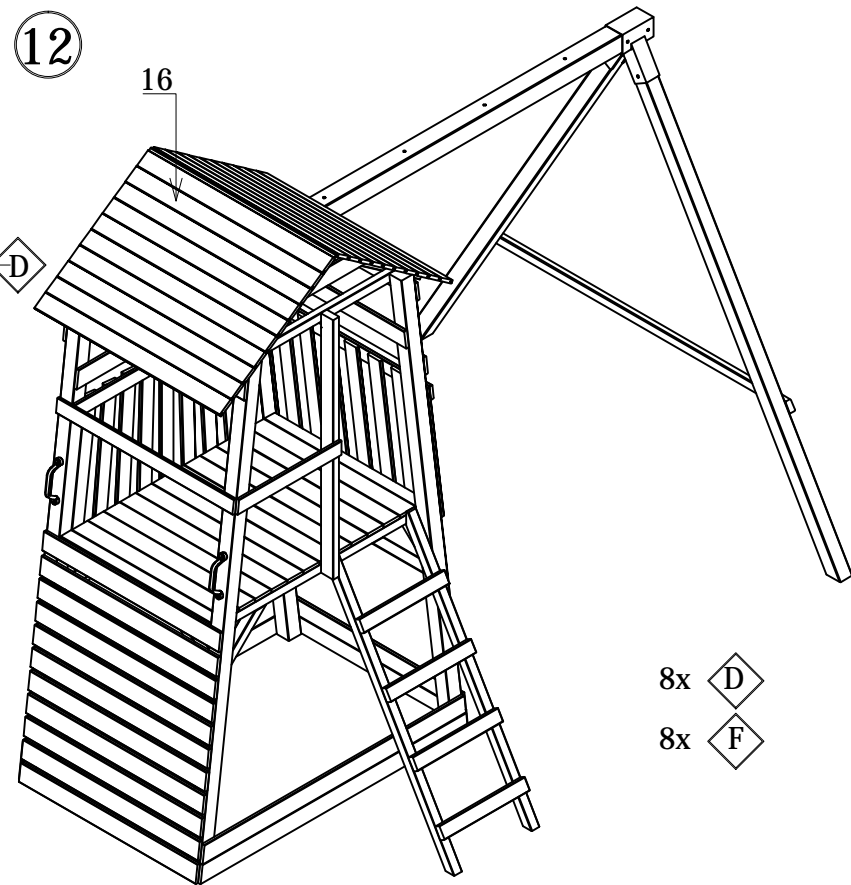
10



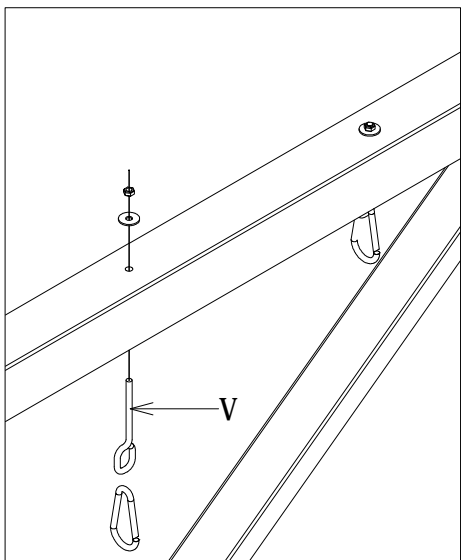
- 6x C
- 6x D
- 4x G



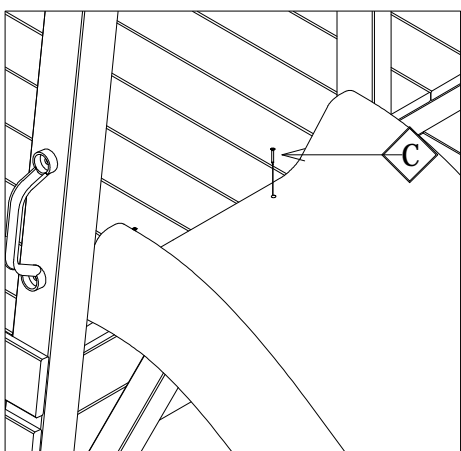
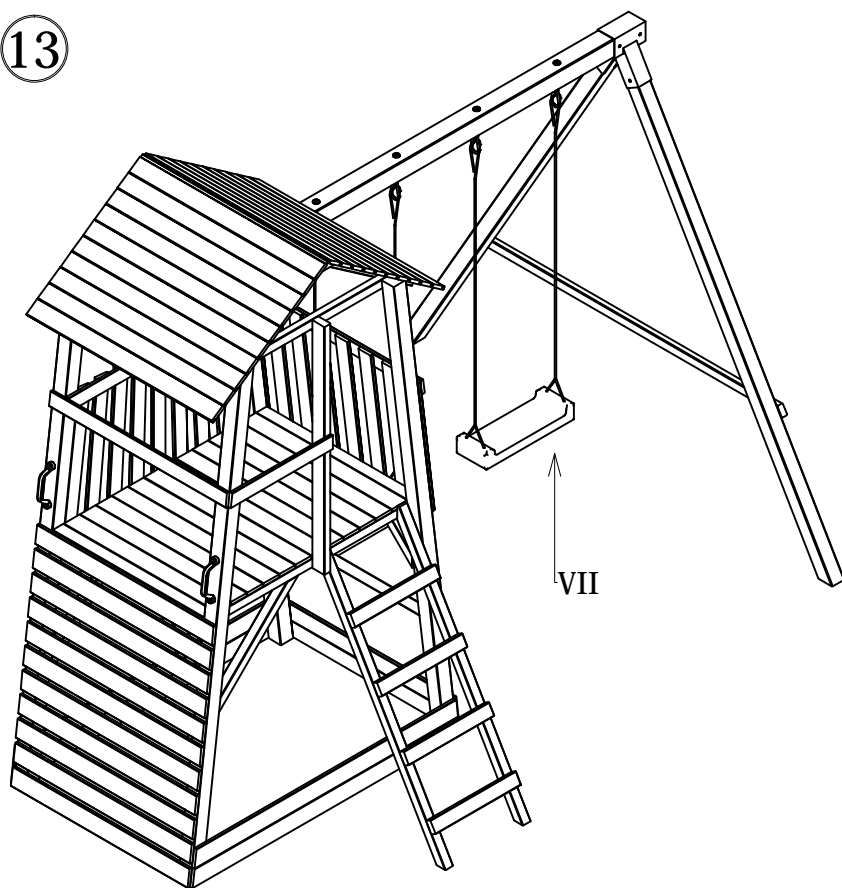
- 1x
- 4x
- 2x
- 24x



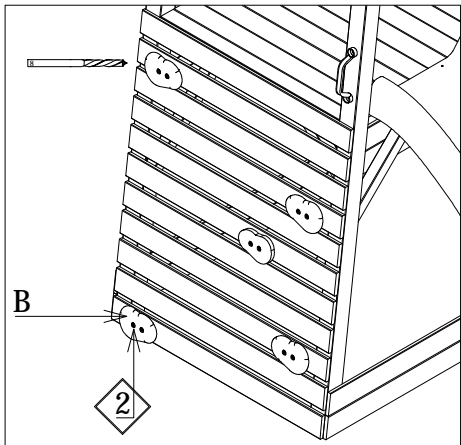
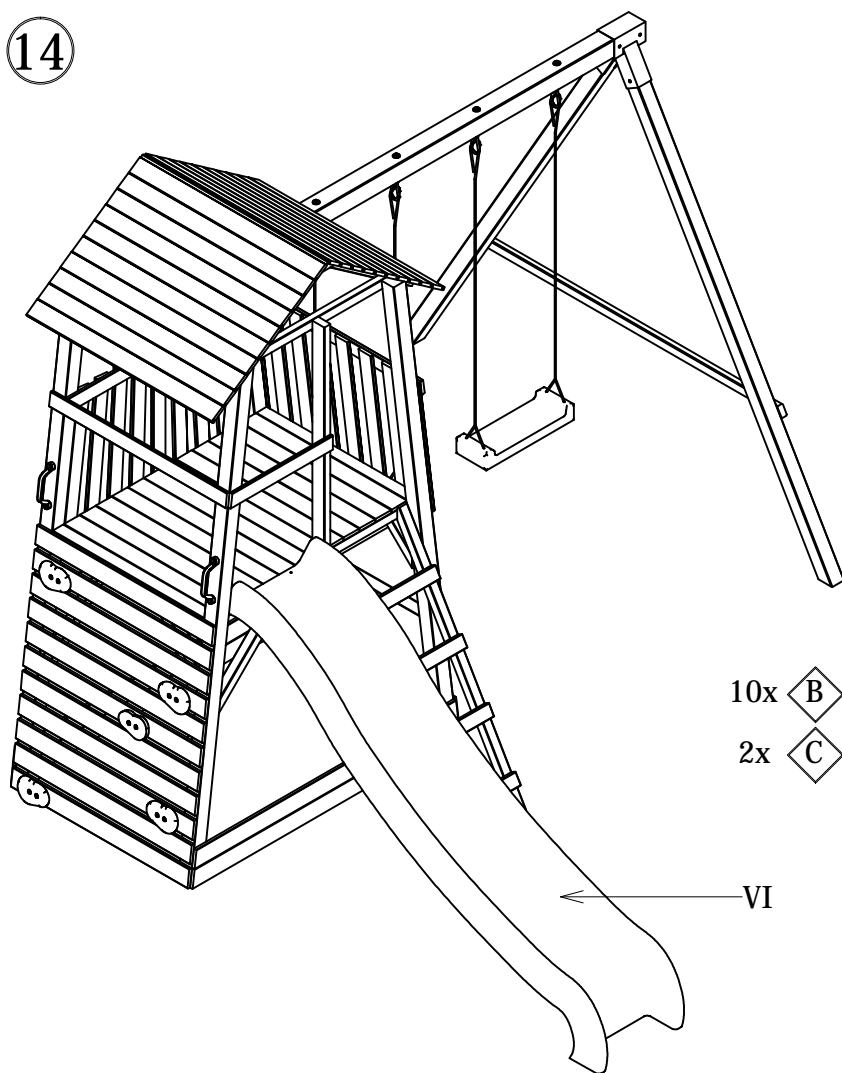
- 8x
- 8x



13



14



10x B

2x C

VI