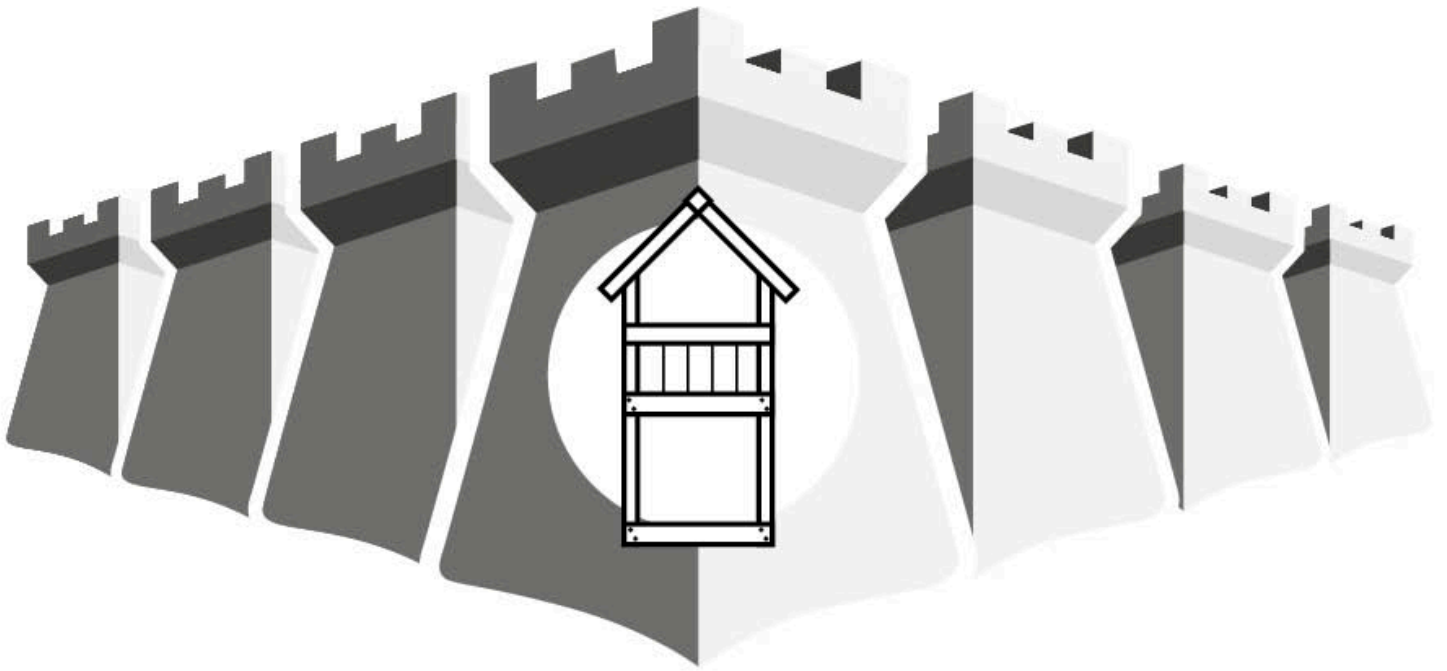


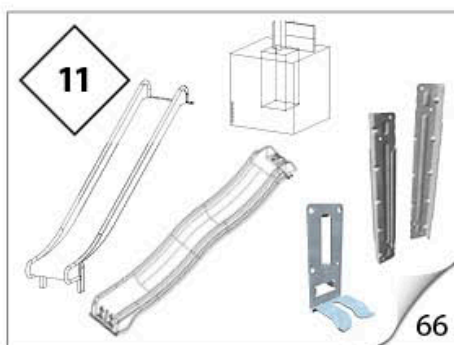
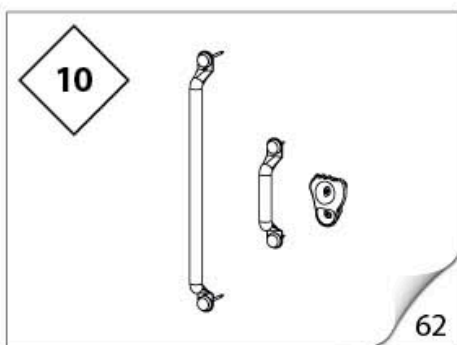
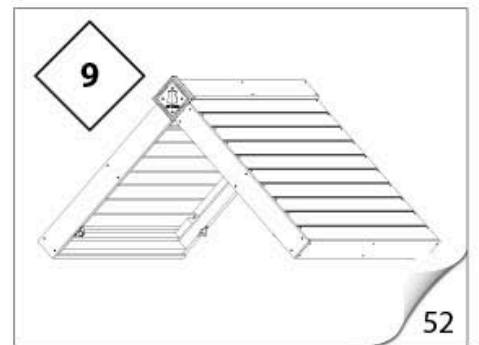
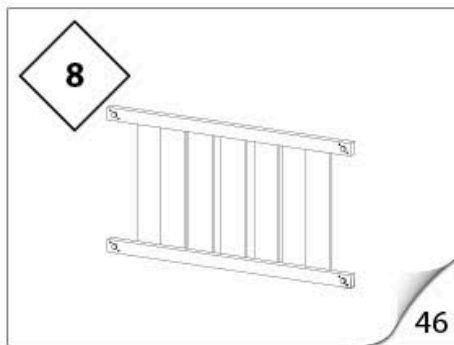
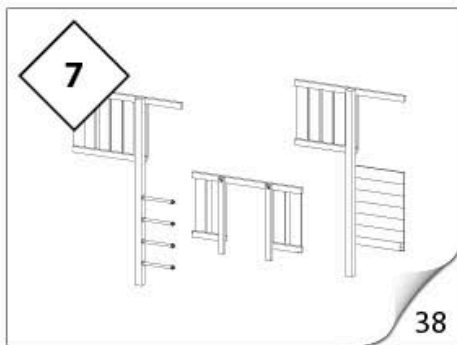
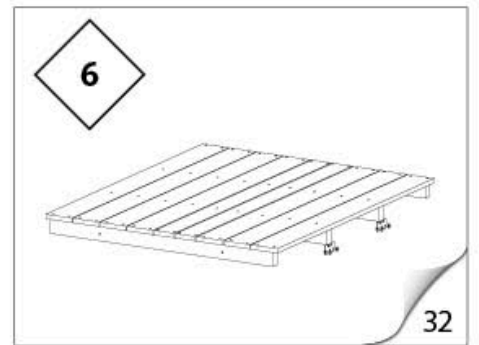
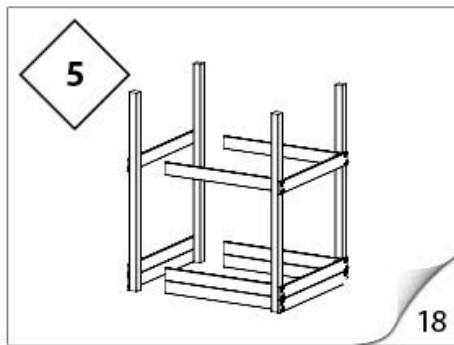
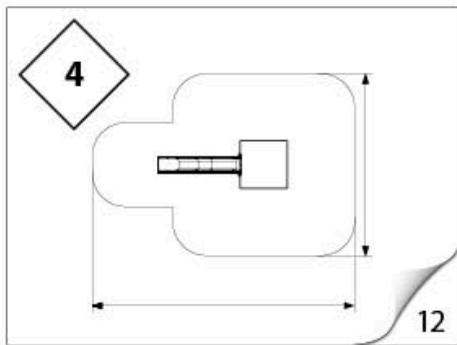
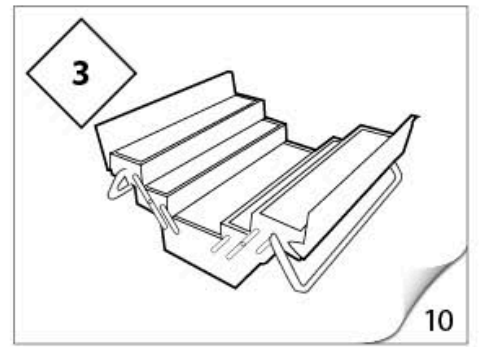
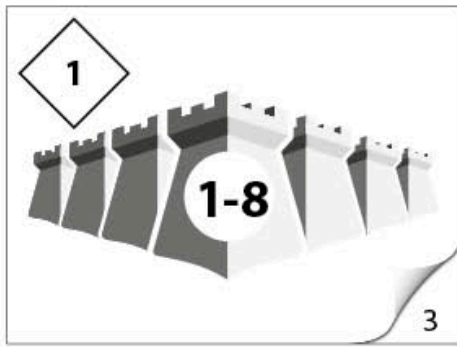
# Assembly

## P Series



Owner's Manual

# Assembly steps



1

1



1x

+



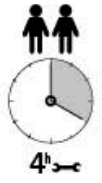
1x



1x



± 0.30 m<sup>3</sup>



4<sup>h</sup>

2



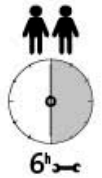
1x



1x



± 0.47 m<sup>3</sup>



6<sup>h</sup>

3



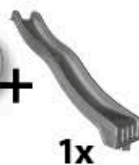
1x



1x



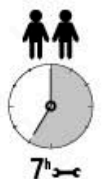
1x



1x



± 0.67 m<sup>3</sup>



7<sup>h</sup>

4



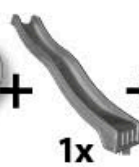
1x



2x



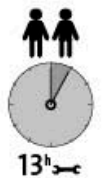
1x



1x



± 1.04 m<sup>3</sup>



13<sup>h</sup>

5



2x



1x



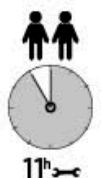
1x



1x



± 0.87 m<sup>3</sup>



11<sup>h</sup>

6



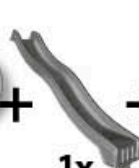
2x



2x



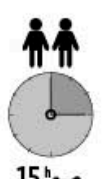
1x



1x



± 1.24 m<sup>3</sup>



15<sup>h</sup>

7



3x



2x



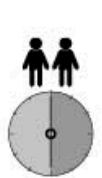
1x



1x



± 1.44 m<sup>3</sup>



18<sup>h</sup>

8



3x



3x



1x



1x



± 1.81 m<sup>3</sup>









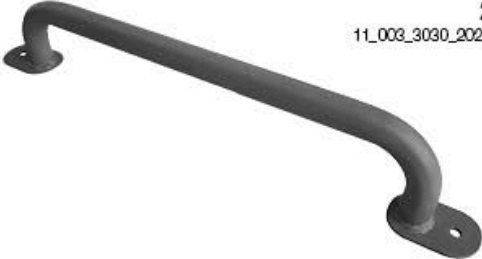

27<sup>h</sup>



# Content P - Kit A

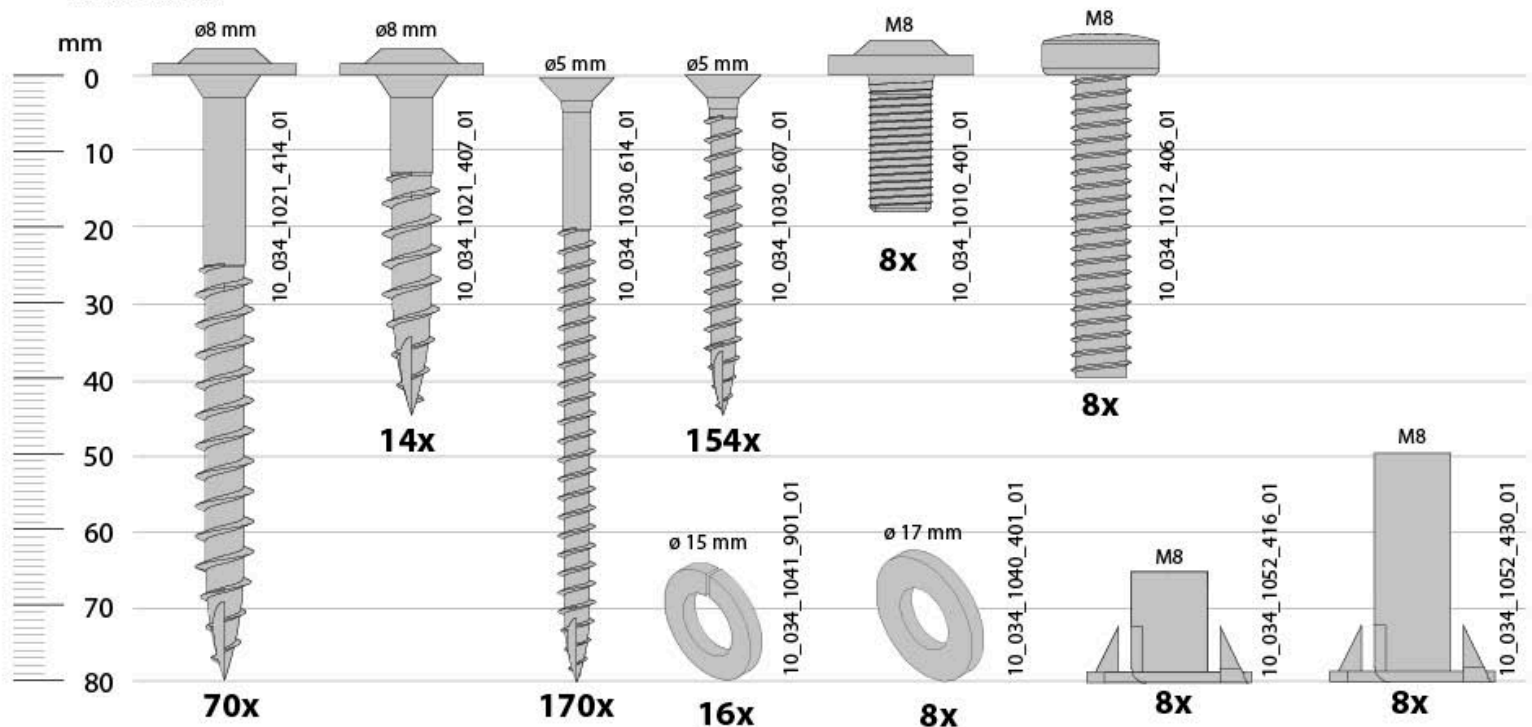
14\_001\_101\_06



|   |   |   |   |  |
|---|---|---|---|--|
| <p><b>6x</b><br/>10_030_6051_120_04</p>  | <p><b>2x</b><br/>10_217_2050_100_04</p>  | <p><b>1x</b><br/>10_217_2050_200_04</p>    | <p><b>1x</b><br/>10_217_2050_300_04</p>  | <p><b>1x</b><br/>11_207_1010_401_04</p>  <p><b>41x</b><br/>10_205_2030_000_04</p> |
| <p><b>1x</b><br/>10_467_3010_101_26</p>  |   | <p><b>2x</b><br/>11_003_3030_202_06</p>  |   | <p><b>1x</b><br/>11_001_1010_100_25</p>   |

## Hardware P - Kit A

11\_001\_1010\_100\_25





**2.1b**

# Content P - Kit B

14\_001\_101\_10




|  |   |
|--|---|
| <p>1x<br/>11_207_1090_101_02</p>  <p>14x<br/>10_201_2075_205_04</p> | <p>6x<br/>10_030_5051_120_04</p>                                     |
| <p>1x<br/>11_203_1031_122_25</p>                                      | <p>2x<br/>11_003_3030_202_06</p>                                      |
| <p>1x<br/>11_203_1030_105_25</p>                                      | <p>4x<br/>10_026_4010_301_01</p>                                      |
| <p>1x<br/>11_203_1041_108_04</p>  <p>8x<br/>10_205_2031_000_04</p>  | <p>1x<br/>11_207_1010_601_04</p>  <p>55x<br/>10_205_2030_000_04</p> |

1x  
10\_467\_3010\_201\_26



2x  
10\_030\_5011\_001\_04



4x  
10\_030\_5010\_000\_04

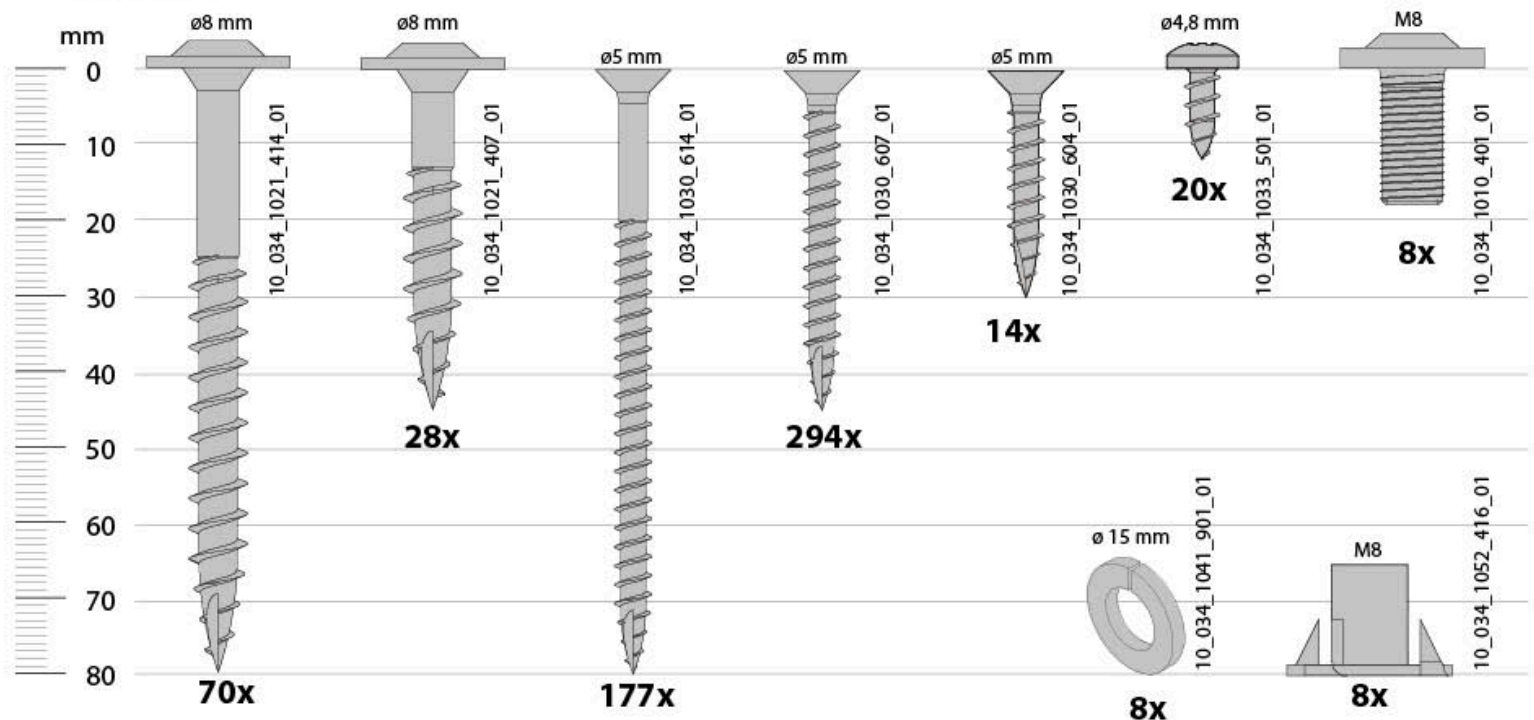


2x  
10\_201\_2075\_405\_04



# Hardware P - Kit B

11\_001\_1010\_200\_25



2.1c

# Content P - Kit C

14\_303\_101\_11



|   |  |   |  |   |   |   |   |  |  |
|---|--|---|--|---|---|---|---|--|--|
| <p><b>1x</b><br/>10_209_2031_105_05</p> |  | <p><b>1x</b><br/>10_209_2071_103_24</p> |  |   | <p><b>2x</b><br/>10_030_5041_115_04</p> |   | <p><b>1x</b><br/>10_467_3040_201_26</p> |  |  |
| <p><b>1x</b><br/>10_030_5042_116_04</p> |  | <p><b>1x</b><br/>10_030_5042_216_04</p> |  | <p><b>2x</b><br/>10_030_5071_110_01</p> |   | <p><b>1x</b><br/>11_001_1030_100_25</p> |   | <p><b>2x</b><br/>11_207_1010_101_04</p> <p>6x<br/>10_205_2030_000_04</p> |  |
| <p><b>2x</b><br/>11_003_3030_101_06</p> |  | <p><b>1x</b><br/>10_026_5041_215_01</p> |  | <p><b>1x</b><br/>11_002_1010_202_25</p> |   | <p><b>2x</b><br/>10_032_5013_225_01</p> |   | <p><b>2x</b><br/>10_032_5012_425_01</p>                                  |  |

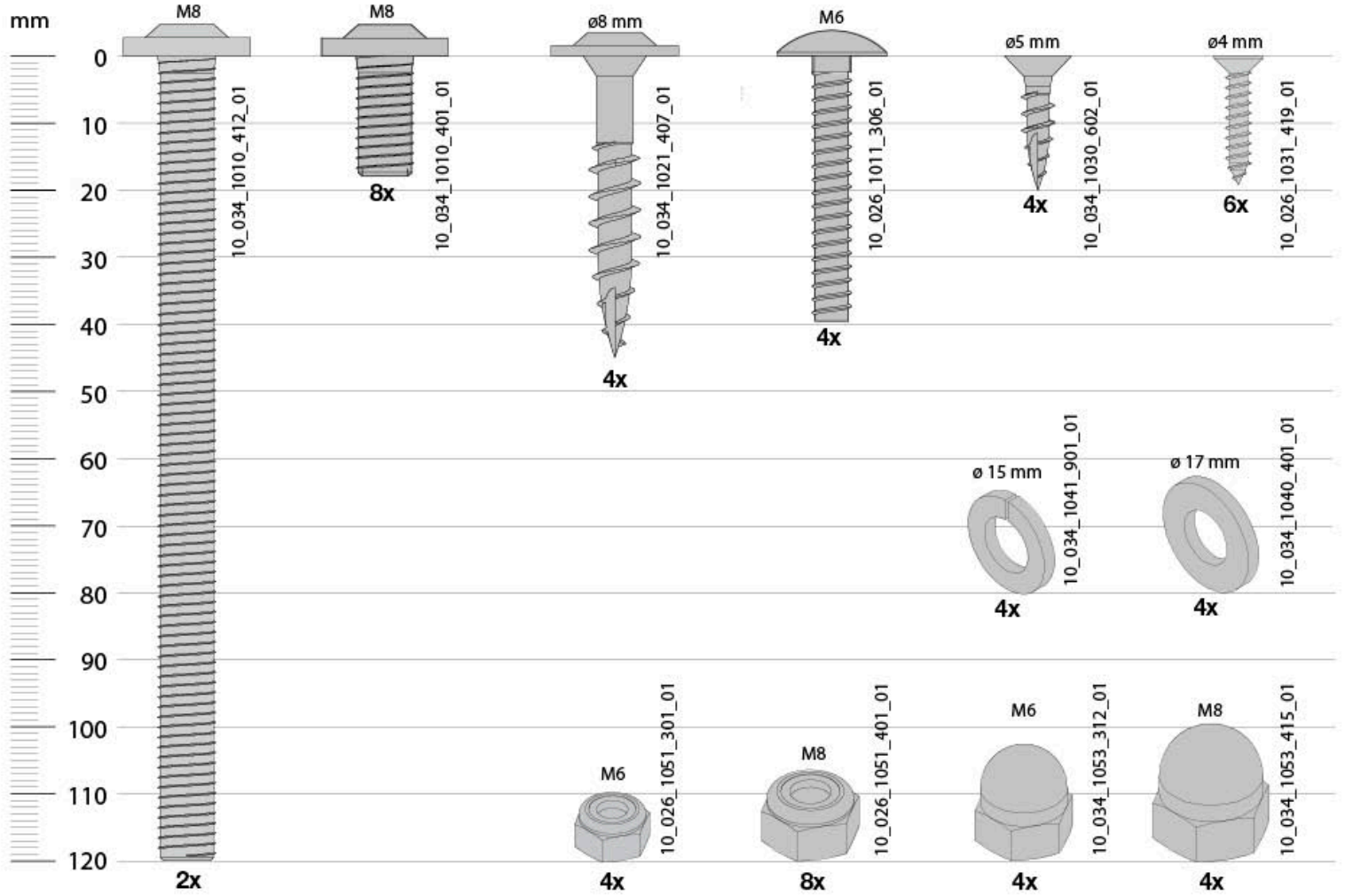
## Tools

11\_002\_1010\_202\_25



# Hardware P - Kit C

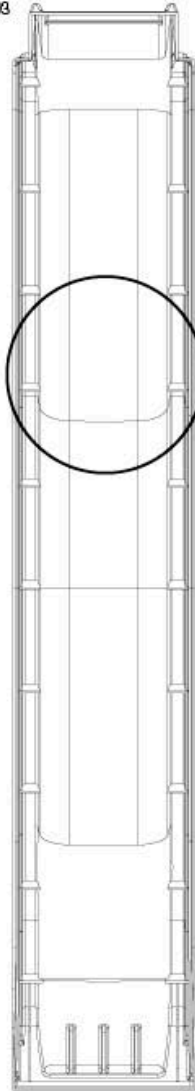
11\_001\_1030\_100\_25



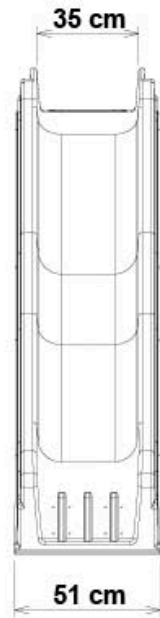
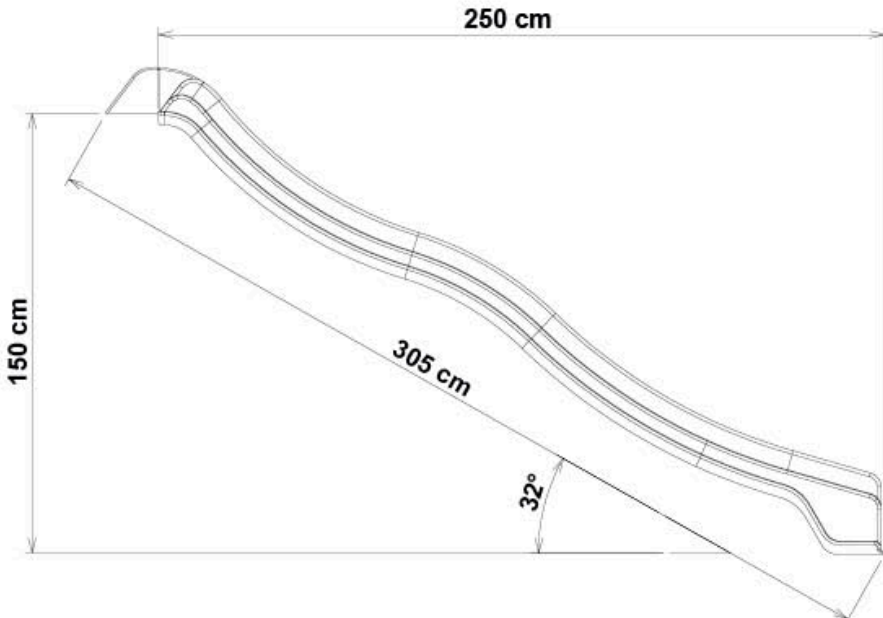
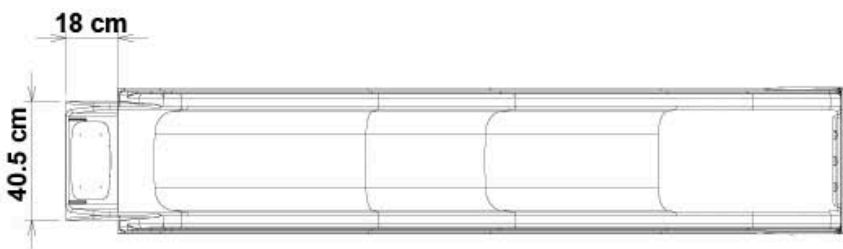
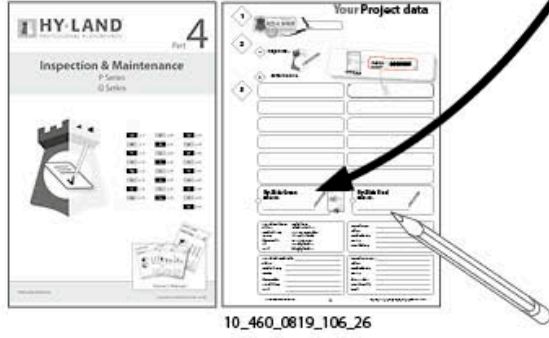
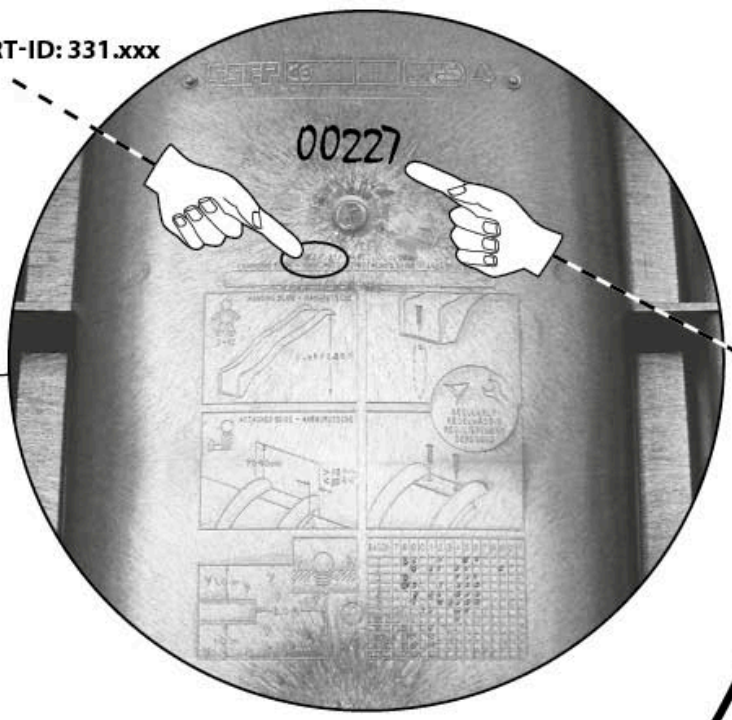
2.2a

# Hy-Slide Polyethylene

14\_306\_301\_03



PART-ID: 331.xxx

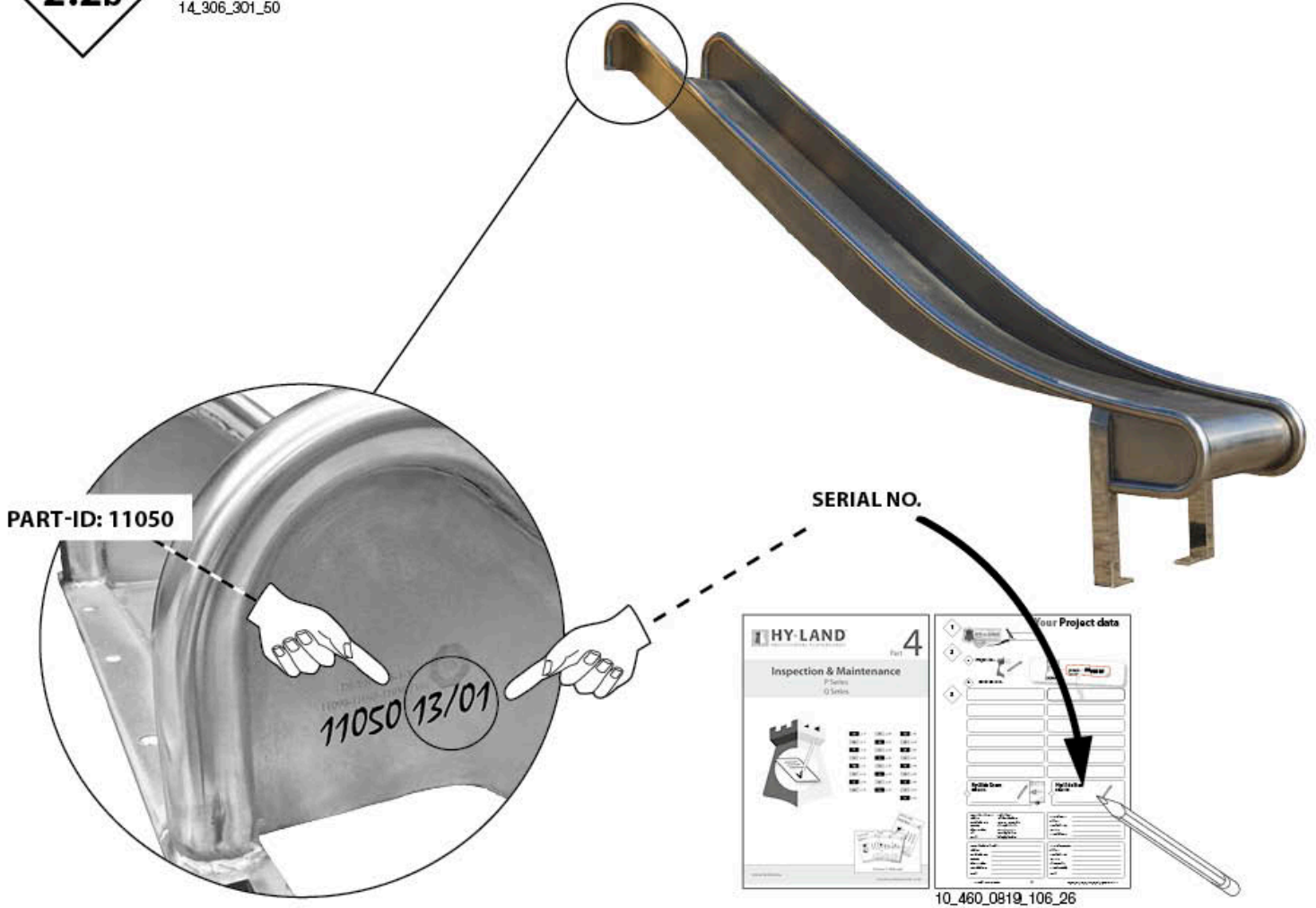




2.2b

# Hy-Slide Stainless Steel

14\_306\_301\_50



PART-ID: 11050

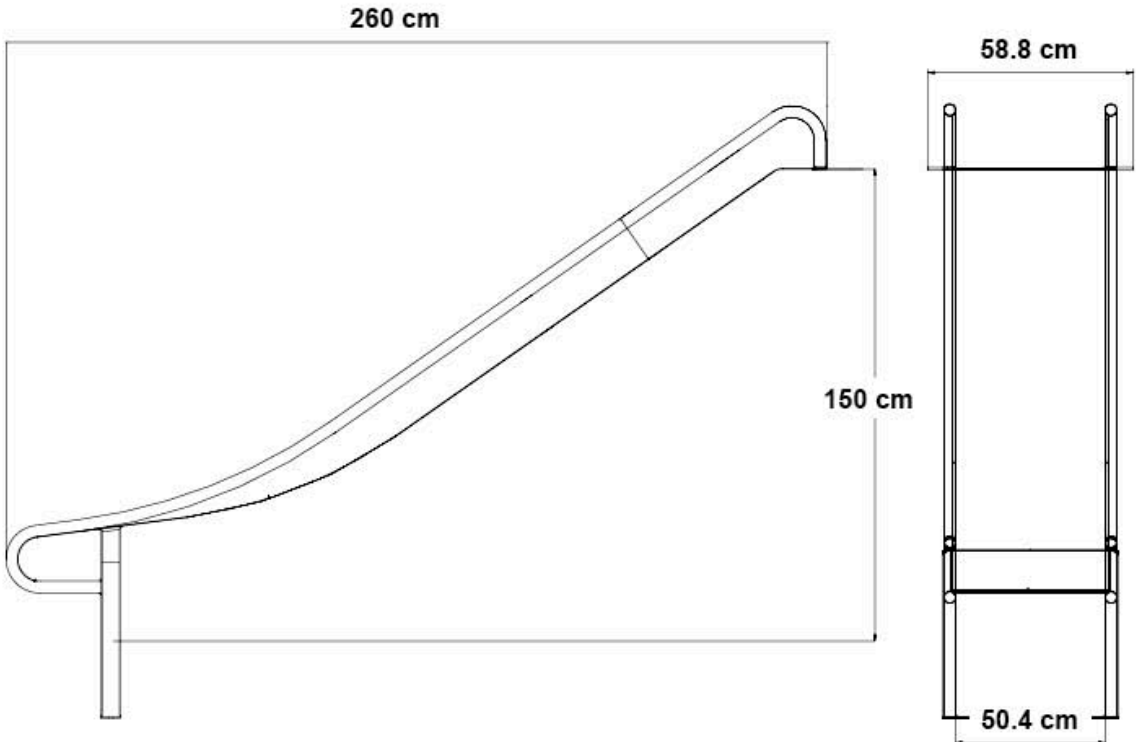
SERIAL NO.

11050 13/01

HY-LAND 4  
Inspection & Maintenance  
P Series  
Q Series

Your Project data

10\_460\_0819\_106\_26



2.3

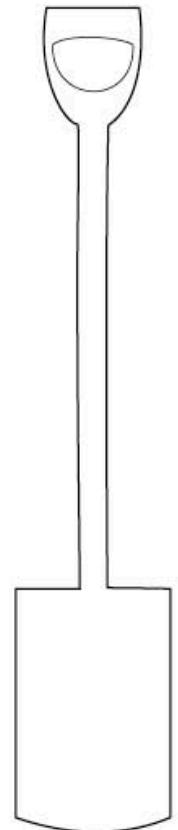
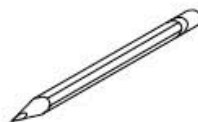
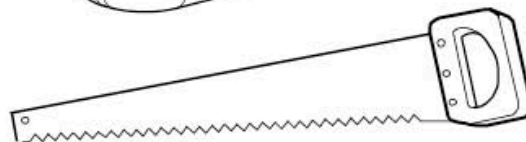
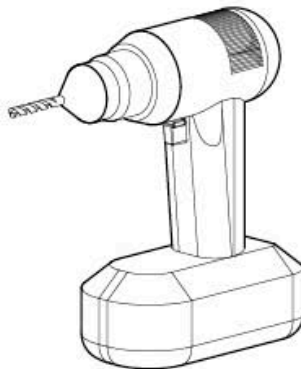
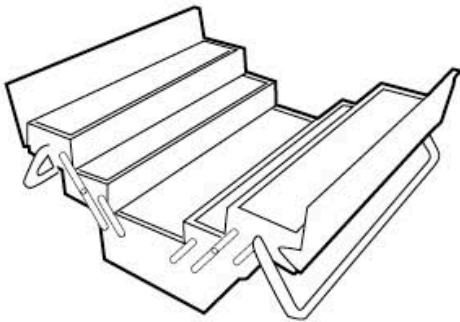
# Timber



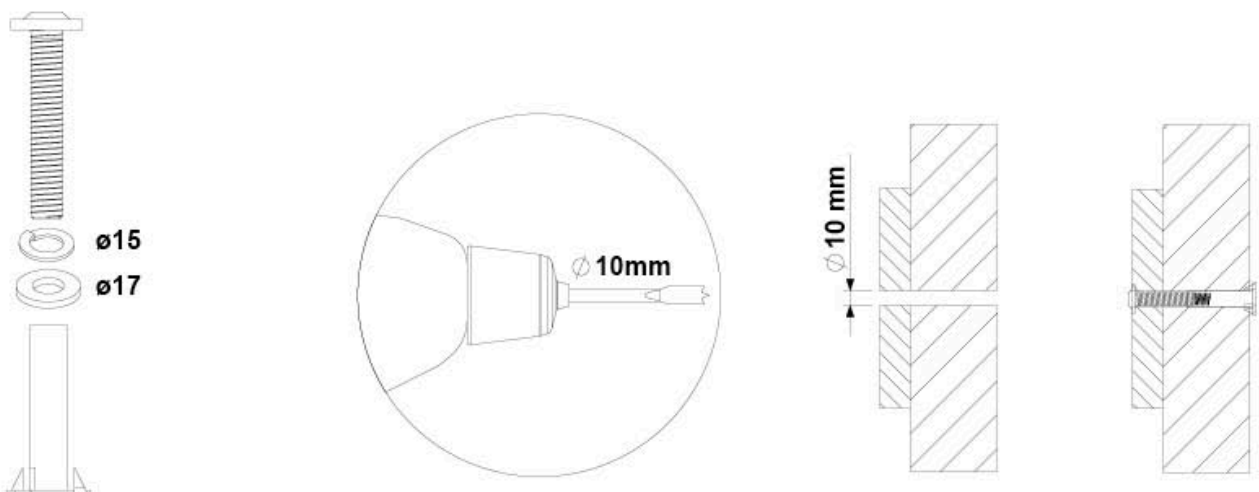
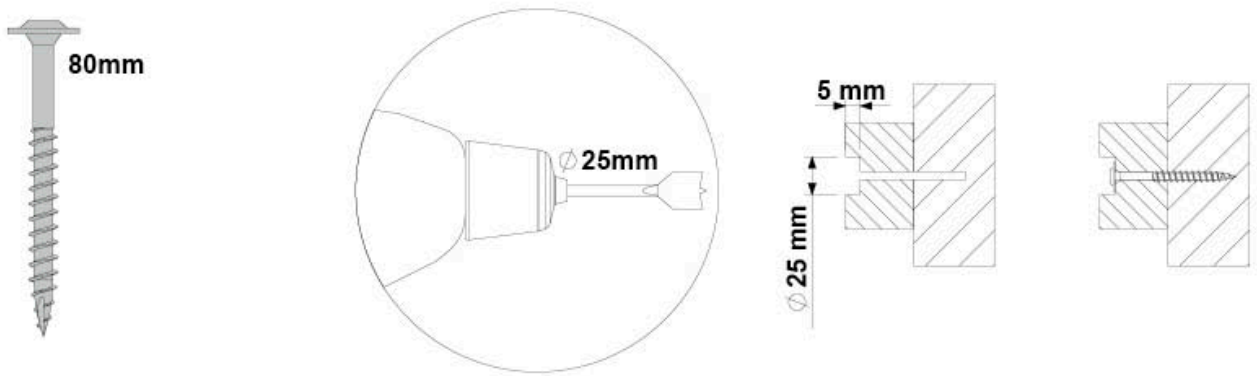
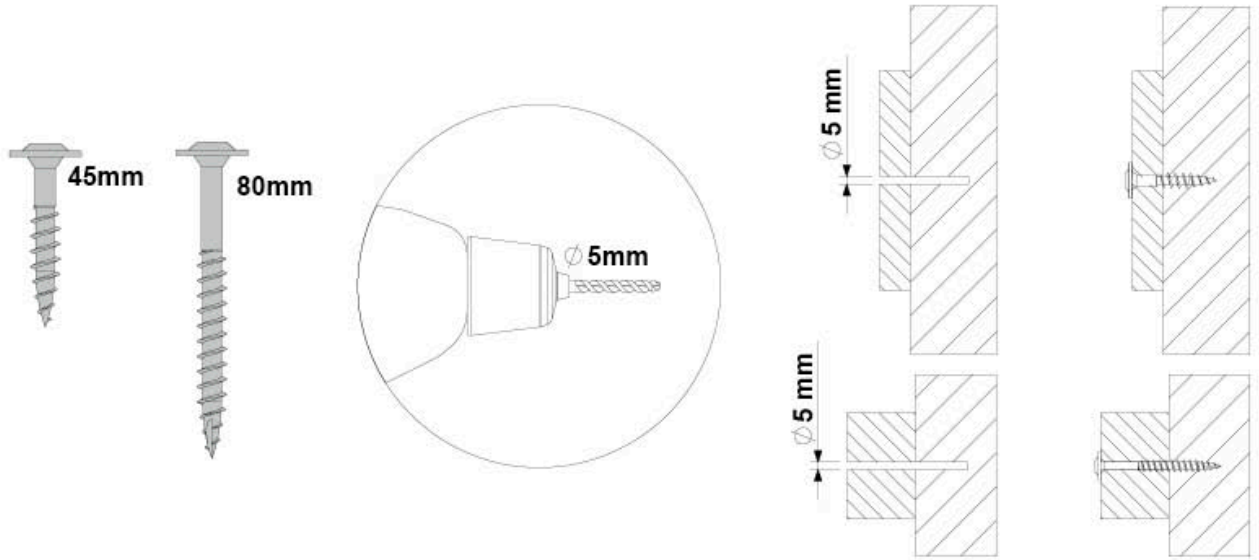
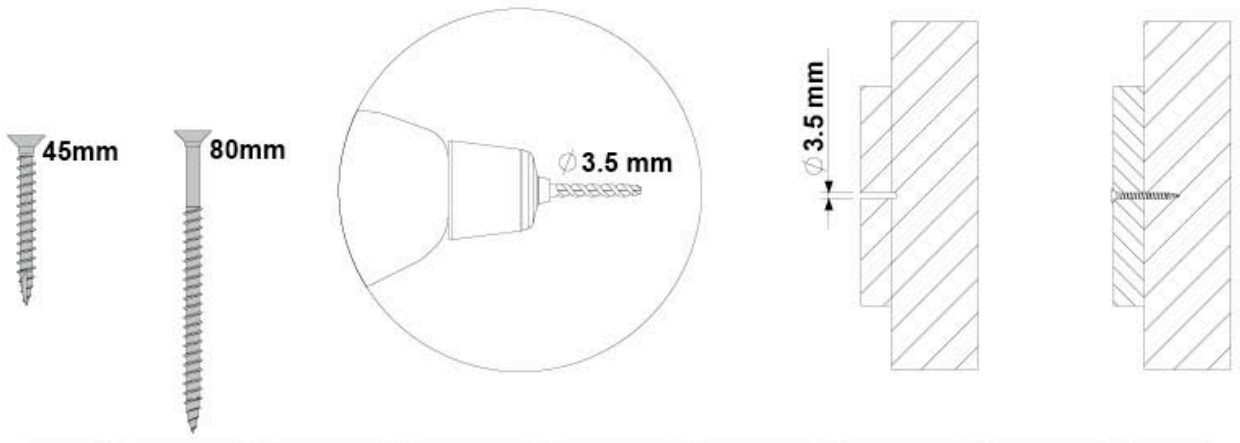
10\_460\_0019\_102\_26

3.1

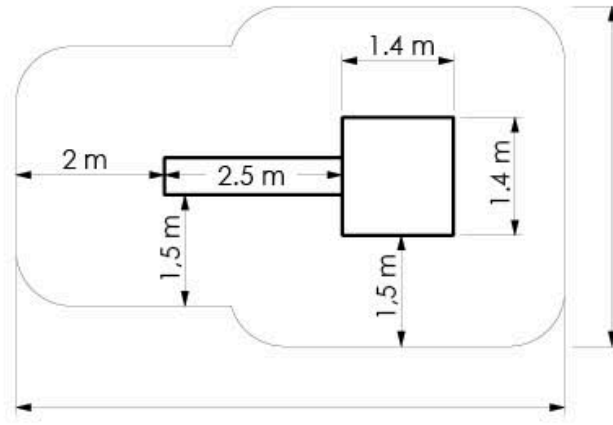
# Tools



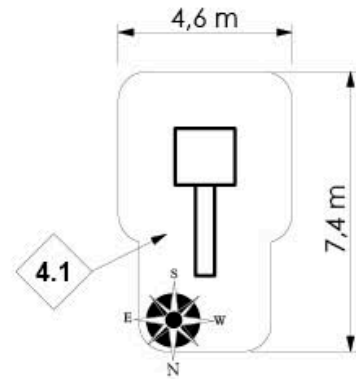
**3.2**



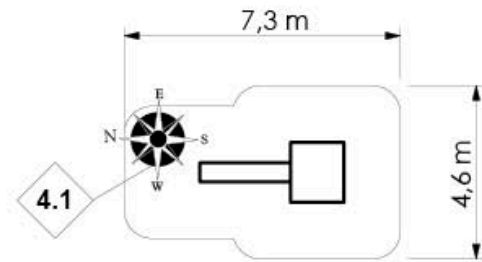
4



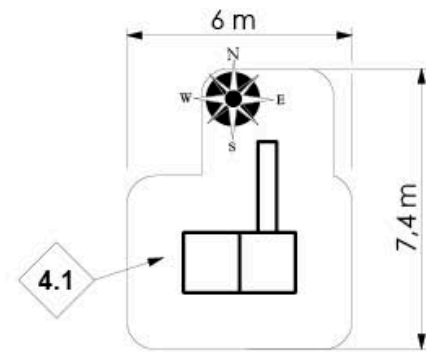
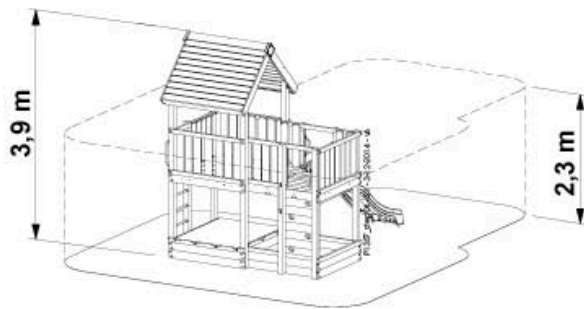
1



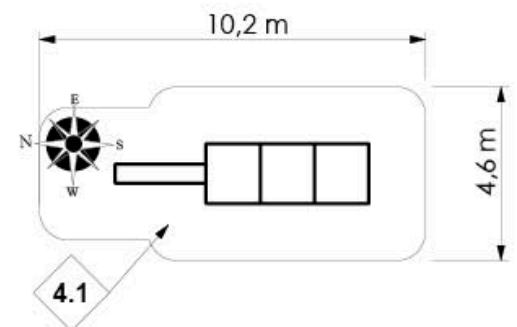
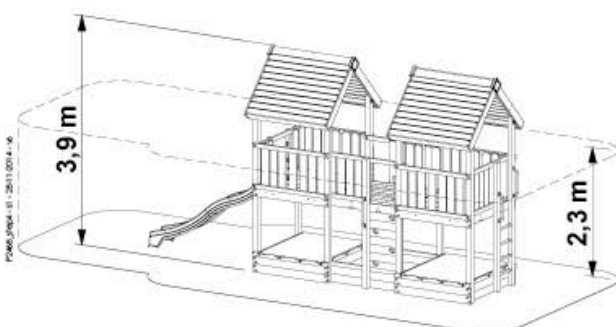
2



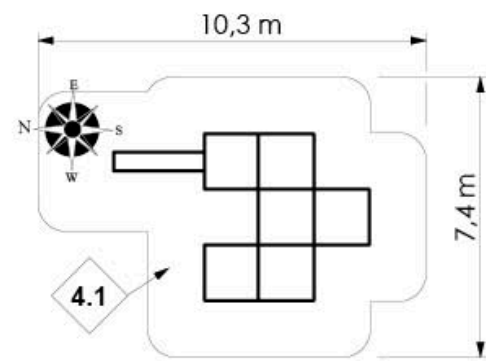
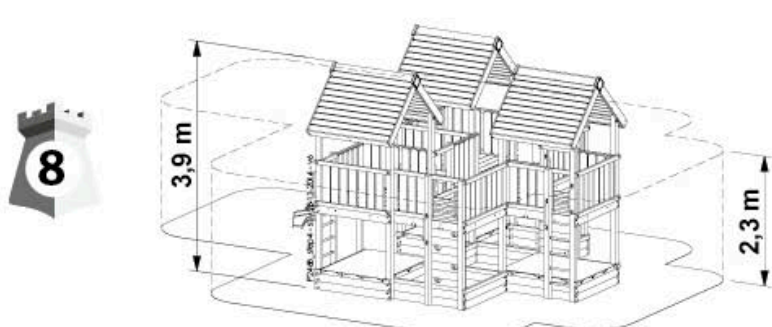
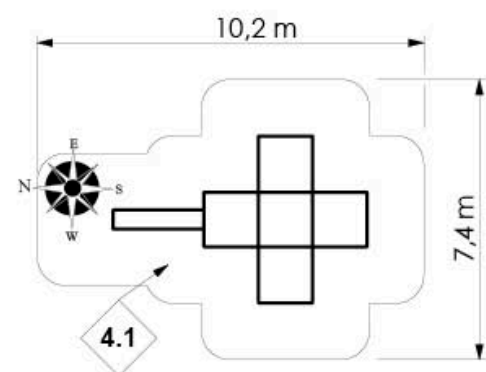
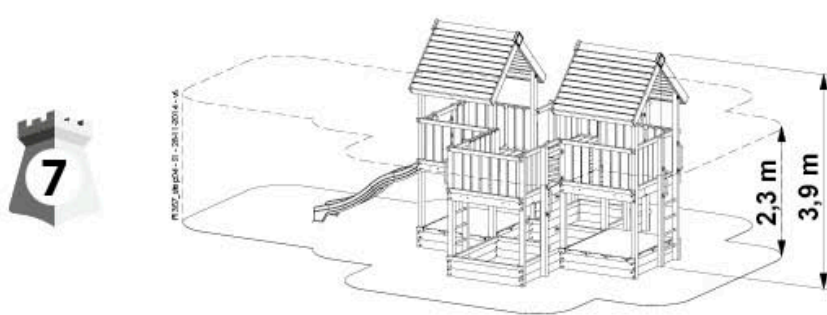
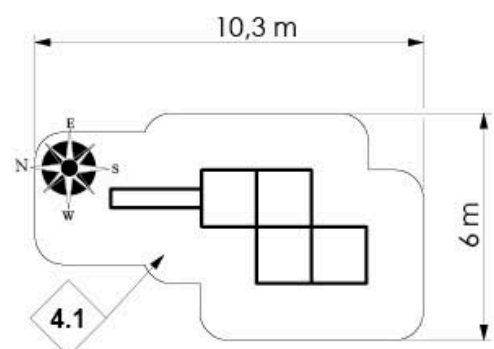
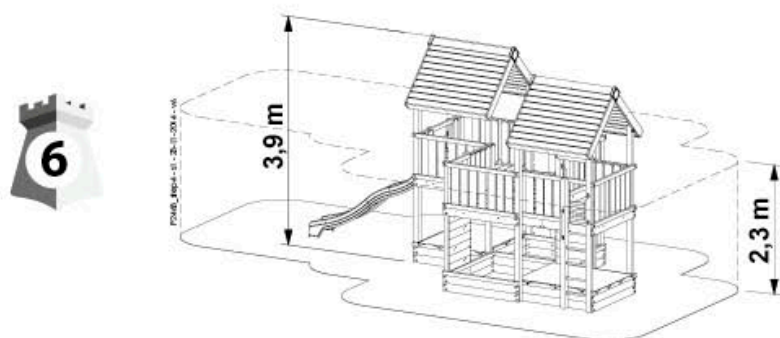
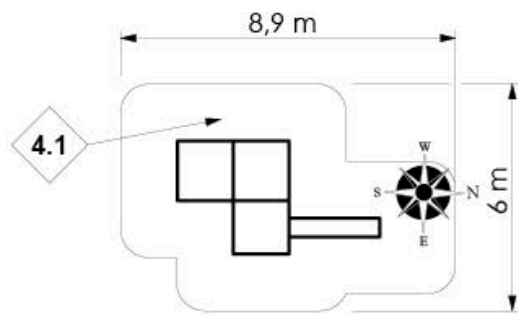
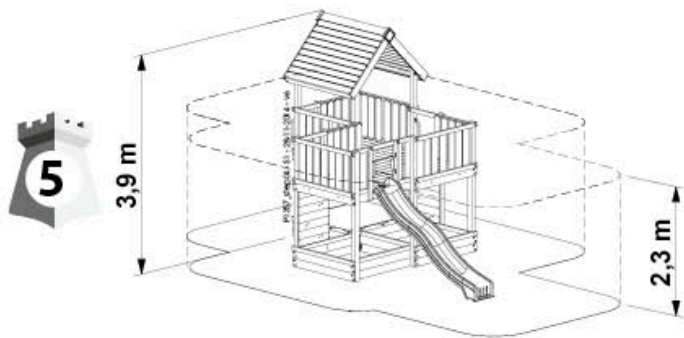
3



4





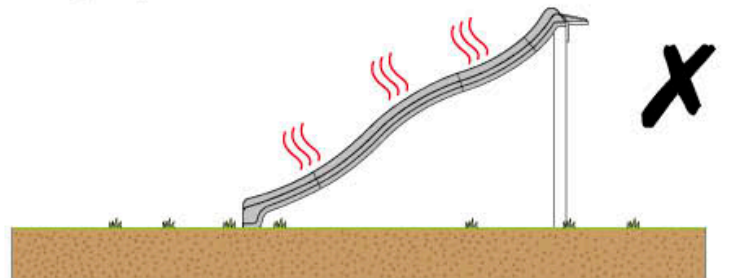
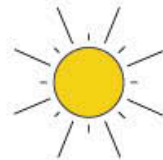
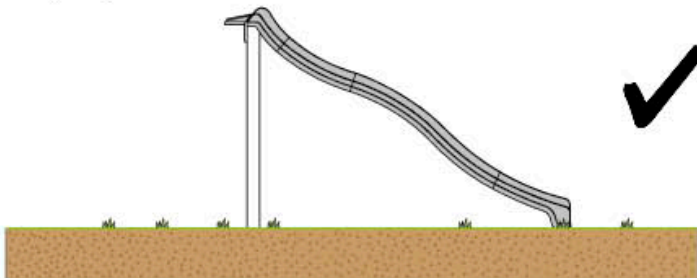
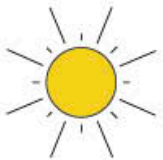
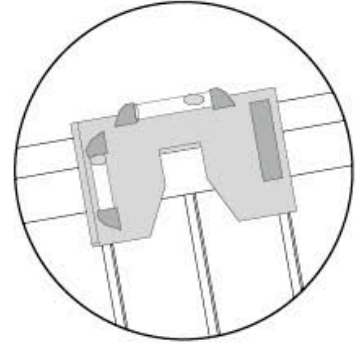
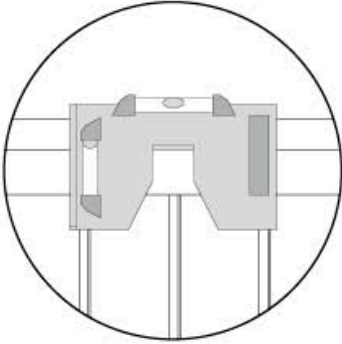
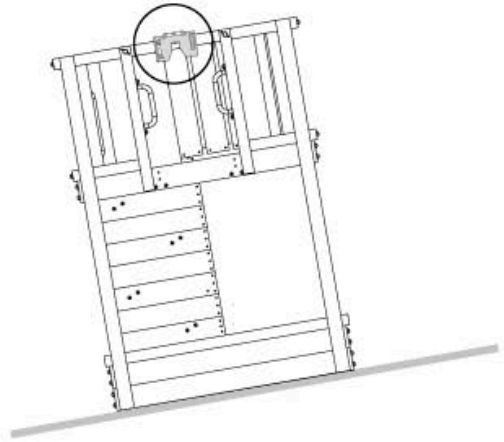
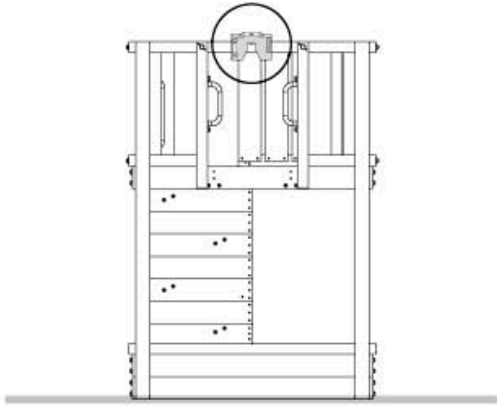


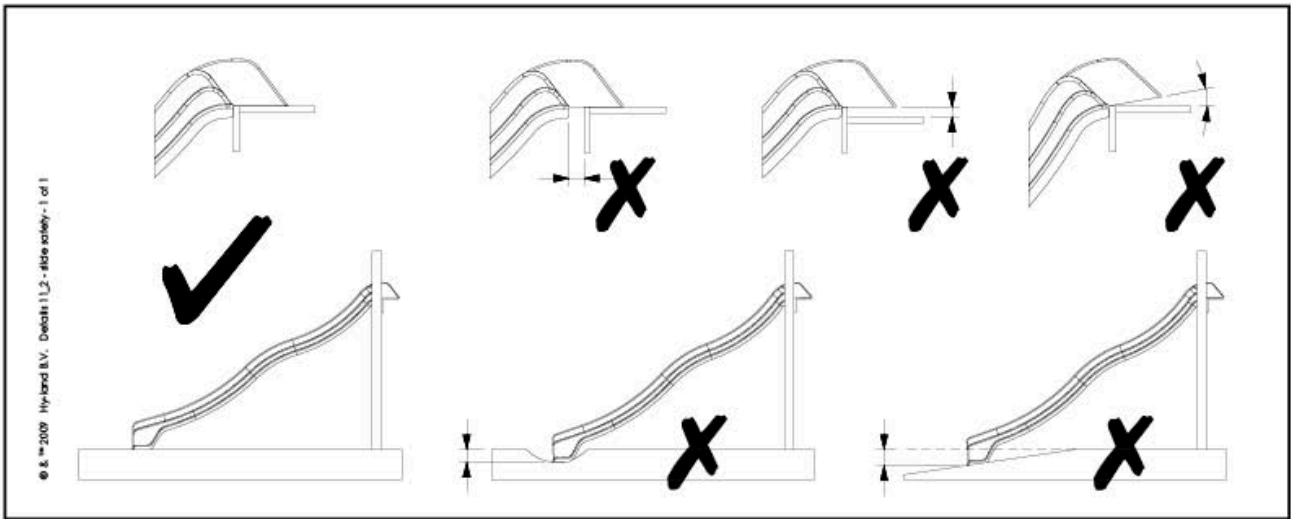


1x

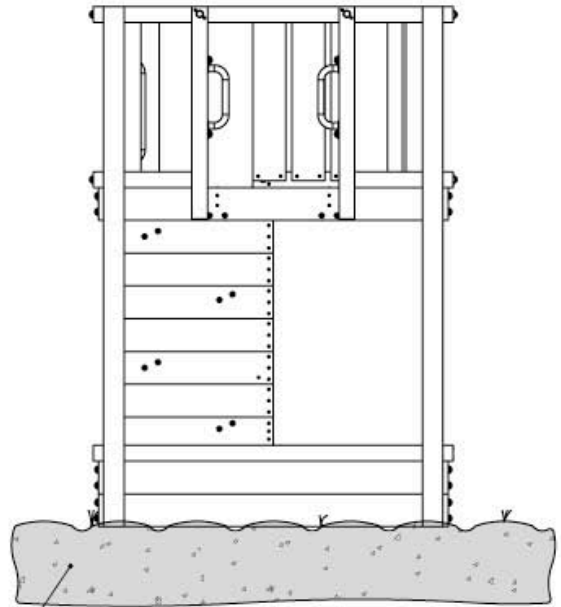
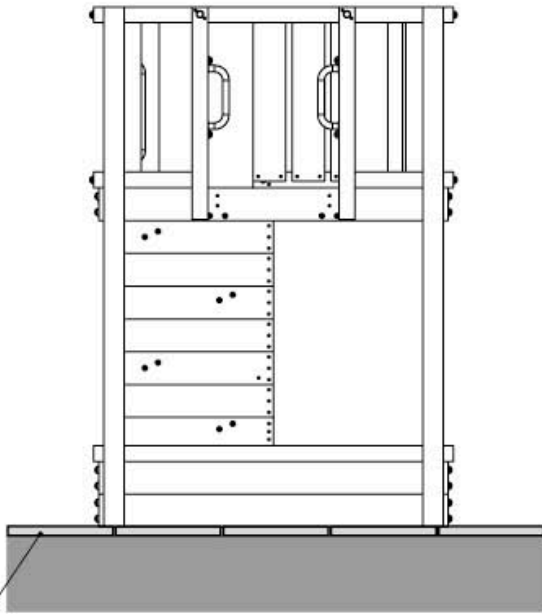


10\_209\_2031\_105\_05





4.1



**Part 1**

**i**

4.2

HY LAND  
General & Safety  
1



4.2

**Part 1**

**i**

4.3

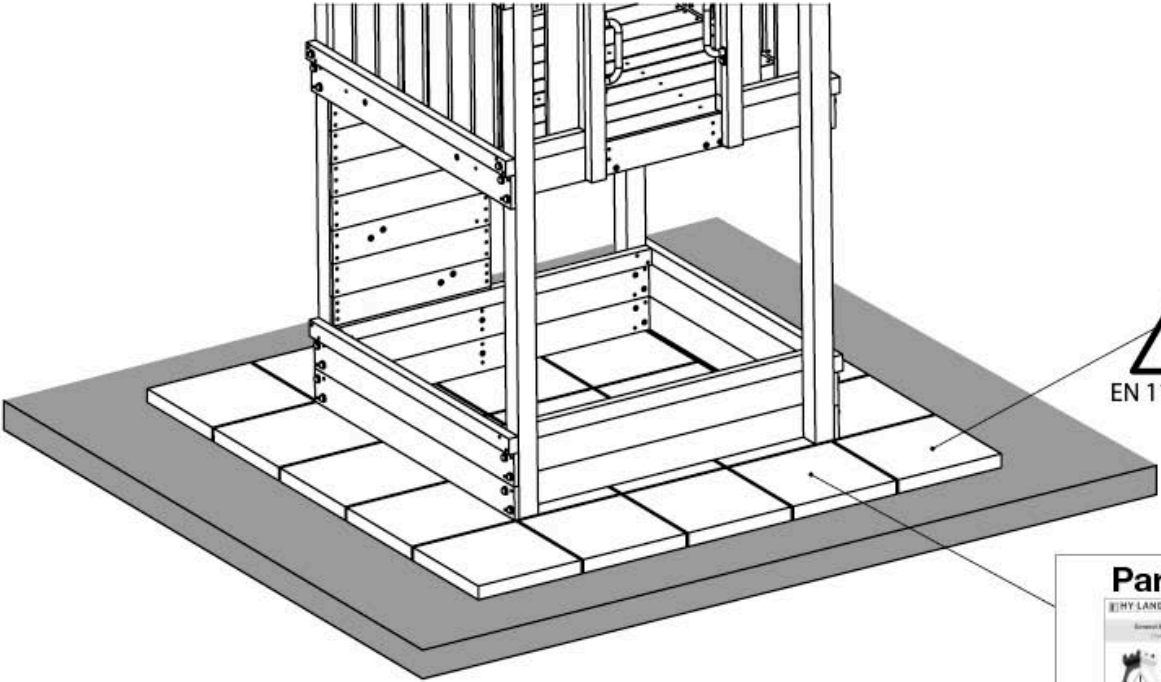
HY LAND  
General & Safety  
1



4.3



4.2



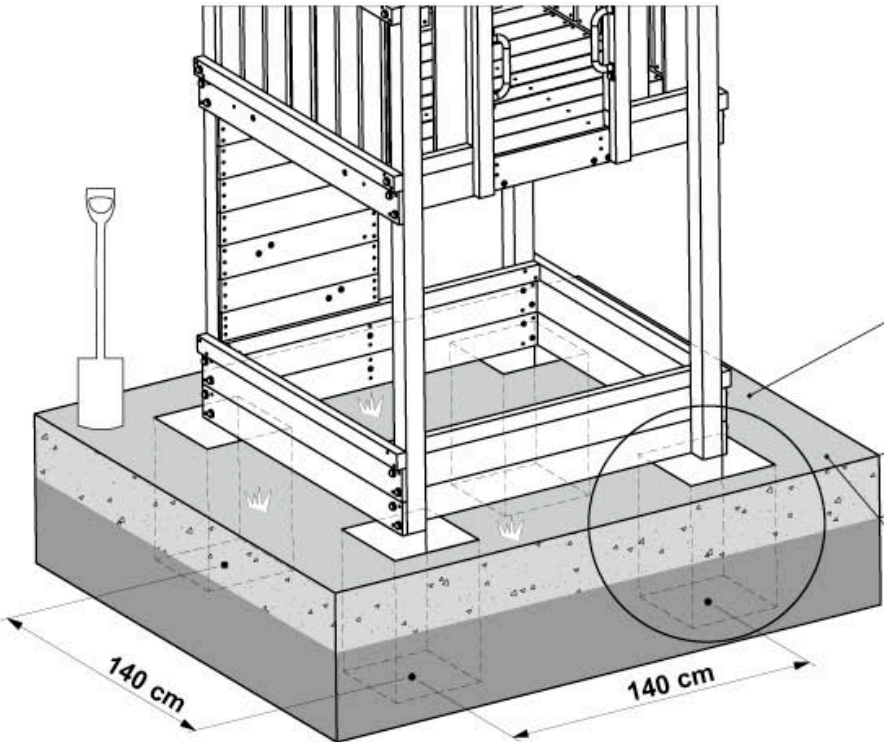
EN 1176:2017

**Part 1**

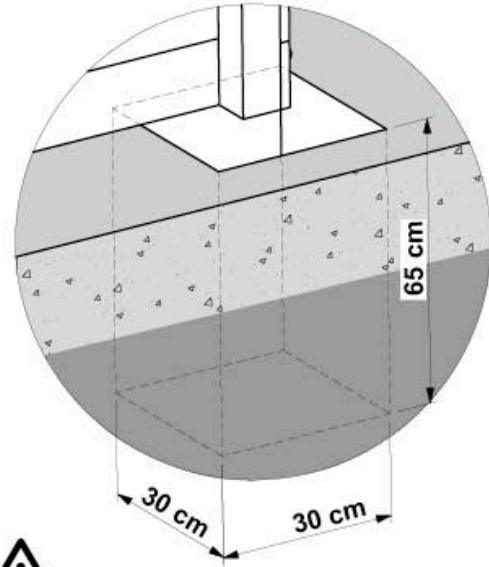
**i**

4.2

4.3



EN 1176:2017



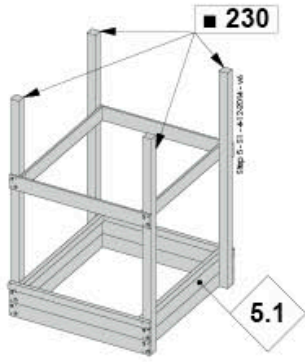
**Part 1**

**i**

4.3

5

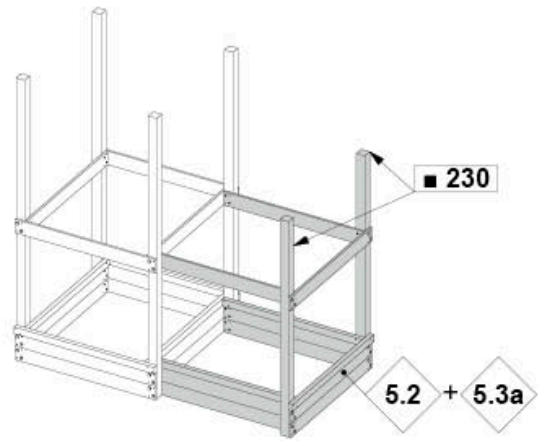
1



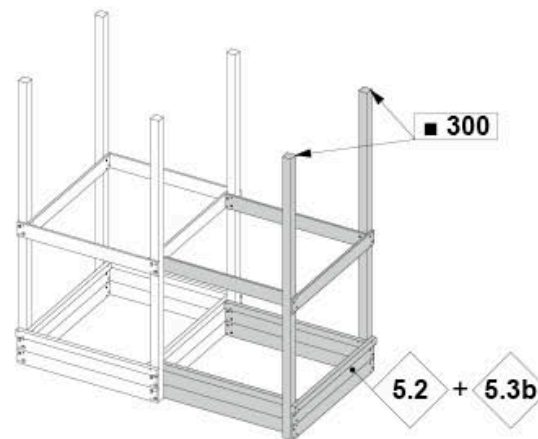
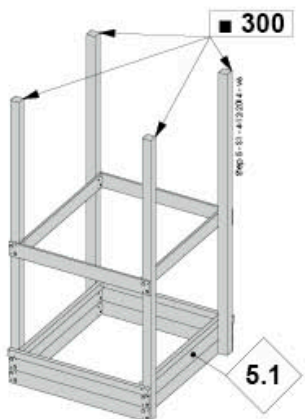
2

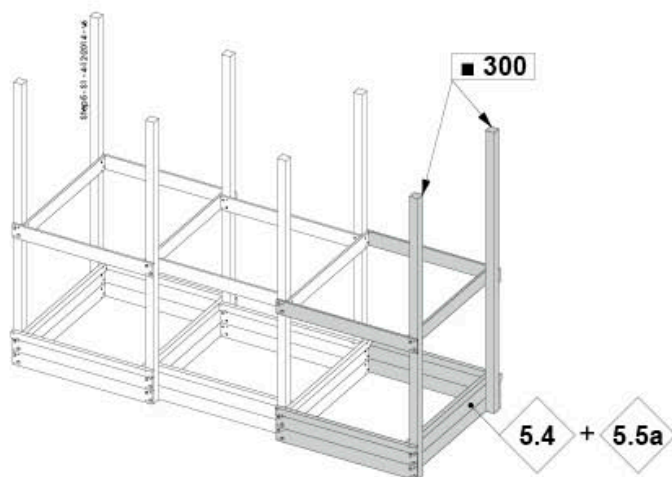


3



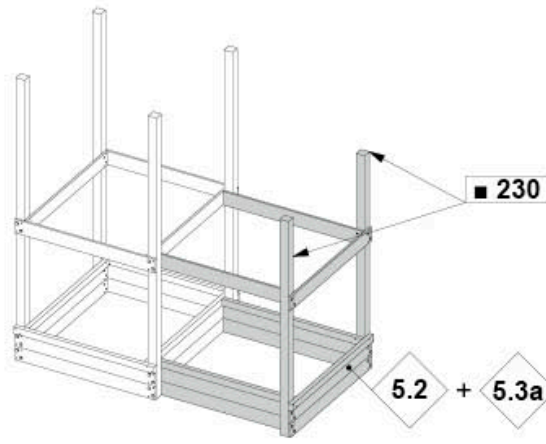
4



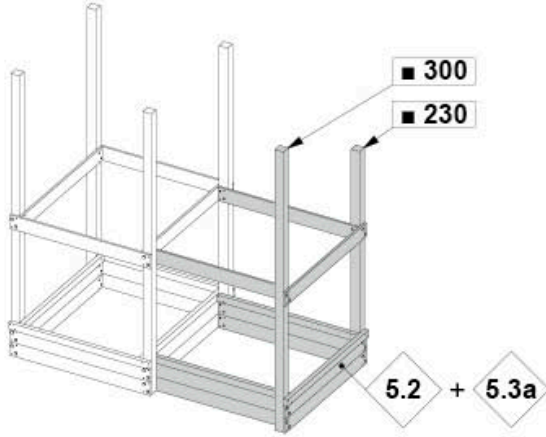


5

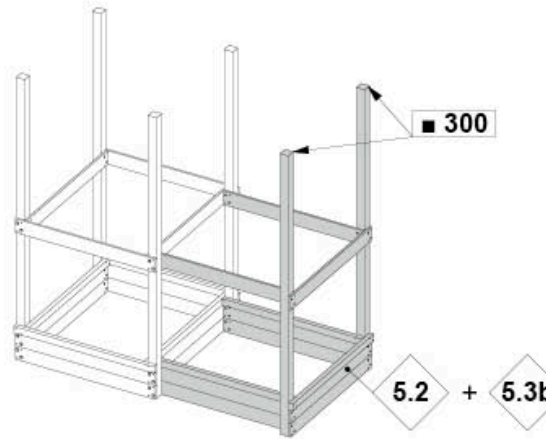
5



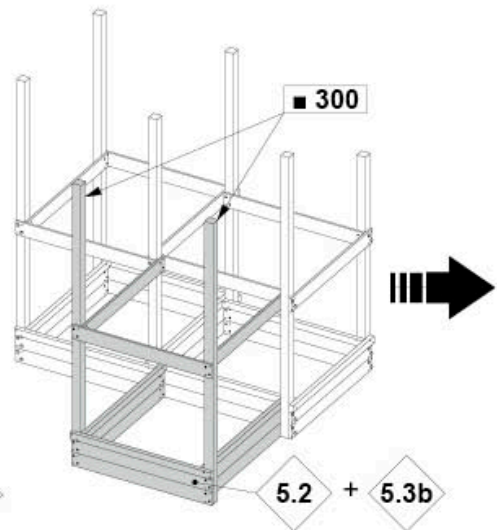
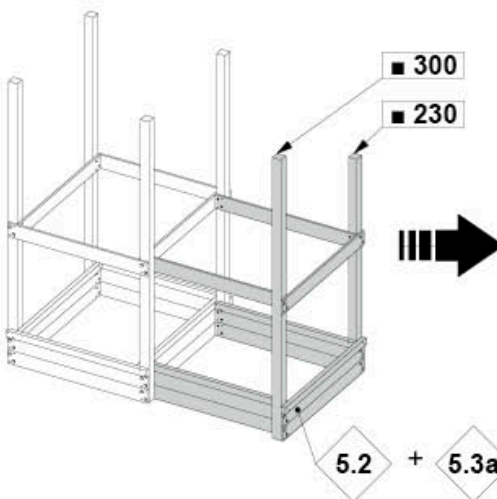
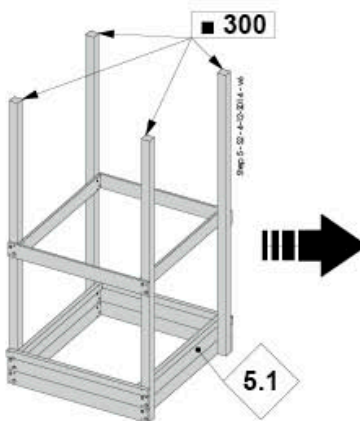
6



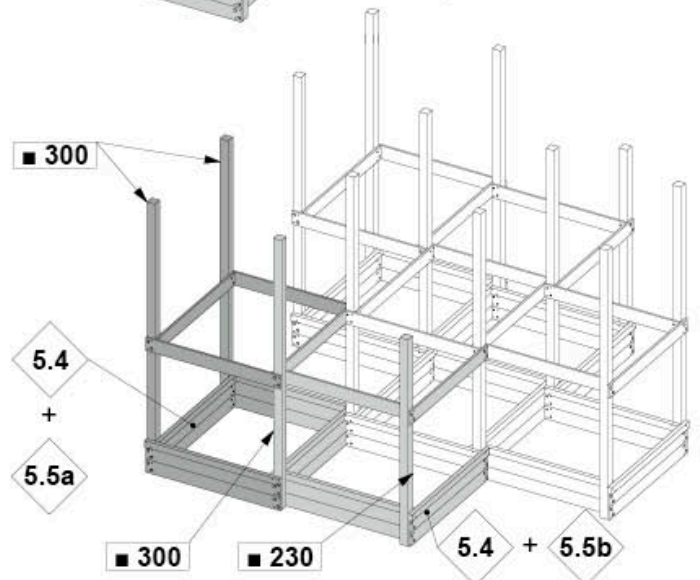
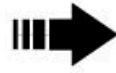
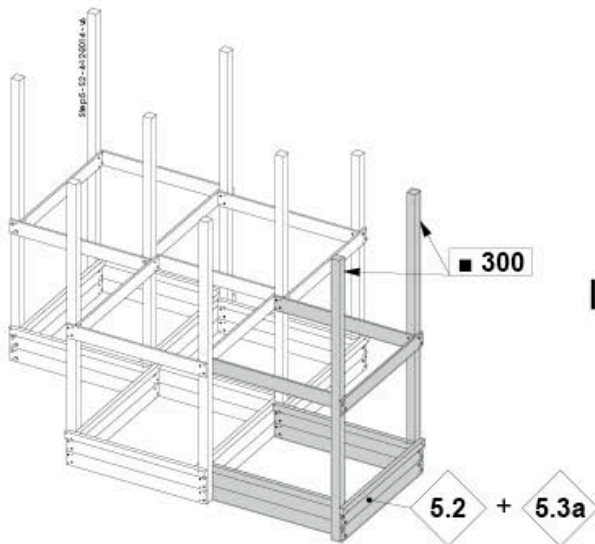
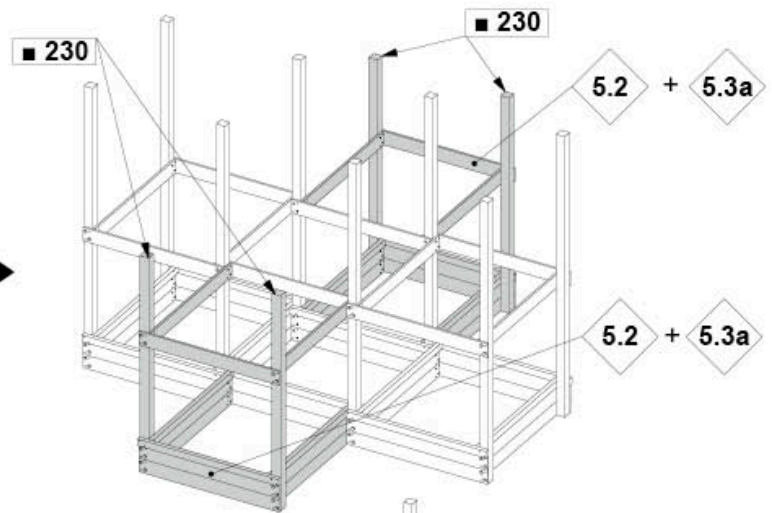
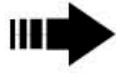
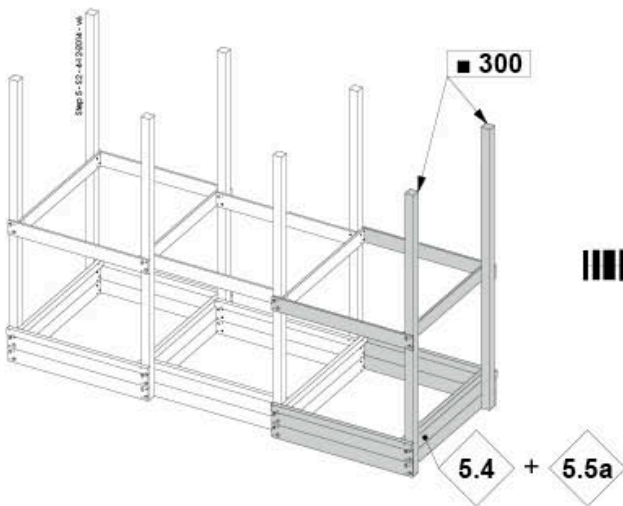
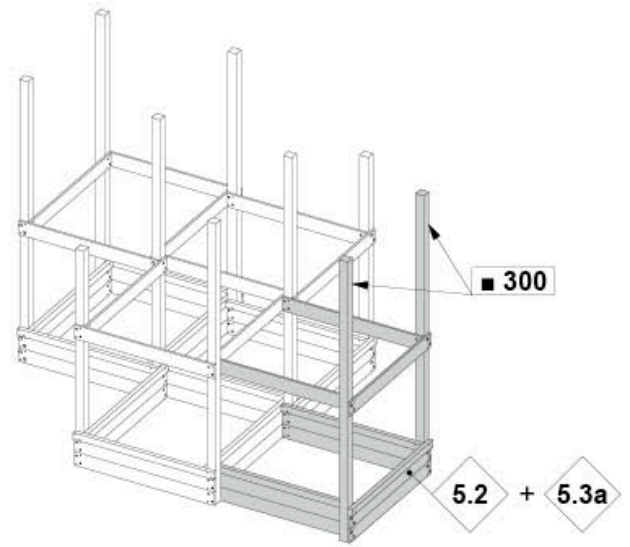
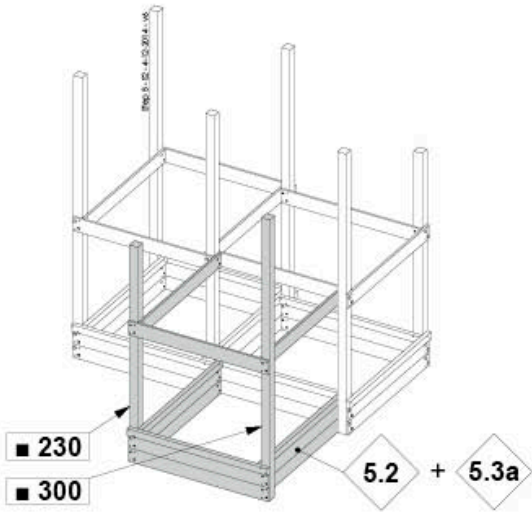
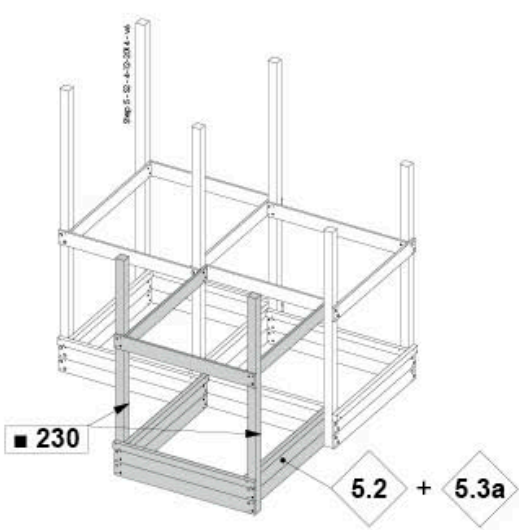
7



8

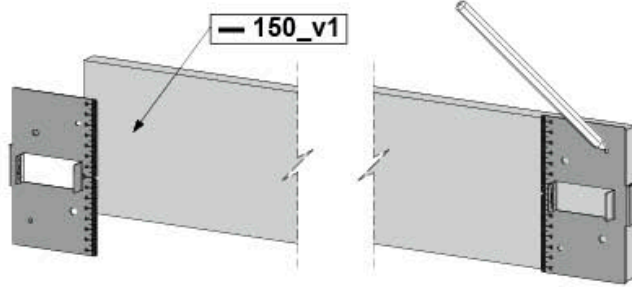






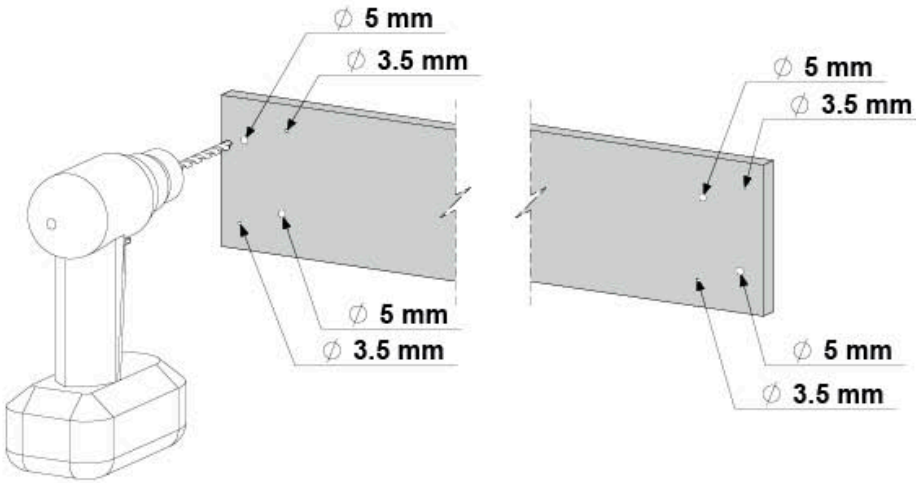
5

1

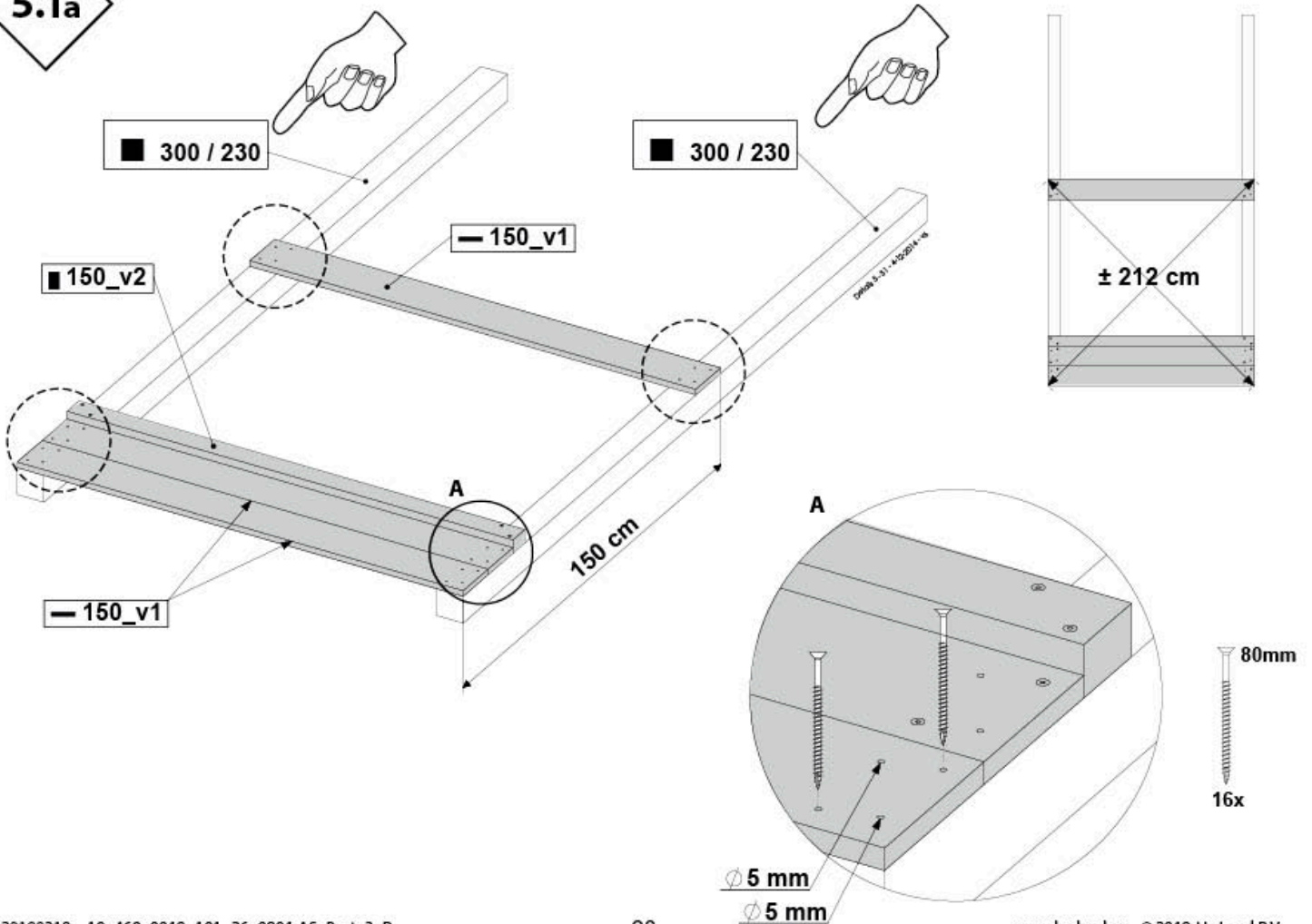


|   |    |    |    |    |    |    |     |
|---|----|----|----|----|----|----|-----|
| 1 | 2  | 3  | 4  | 5  | 6  | 7  | 8   |
| - | 4x | 4x | 8x | 4x | 8x | 8x | 12x |

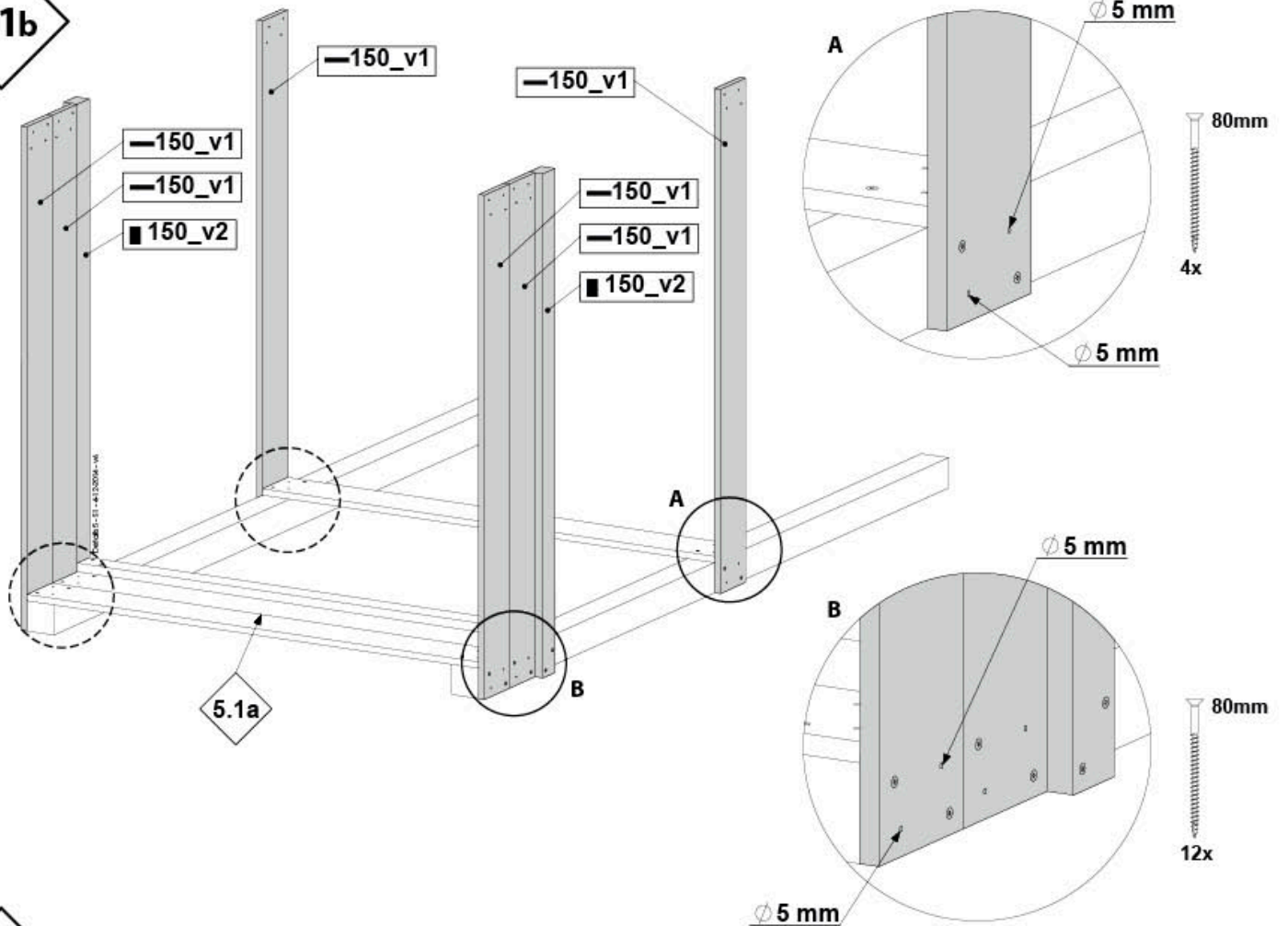
2



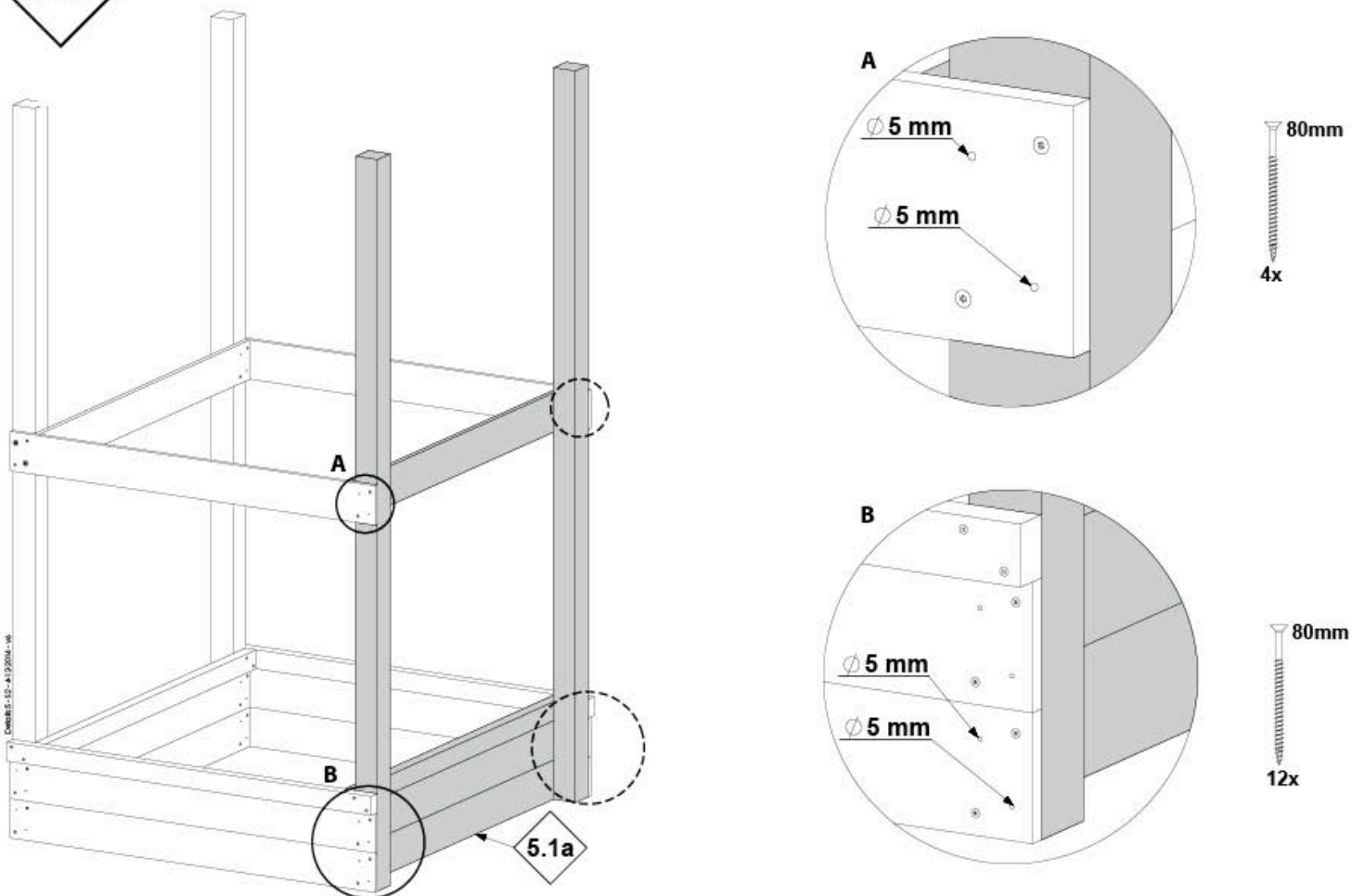
5.1a



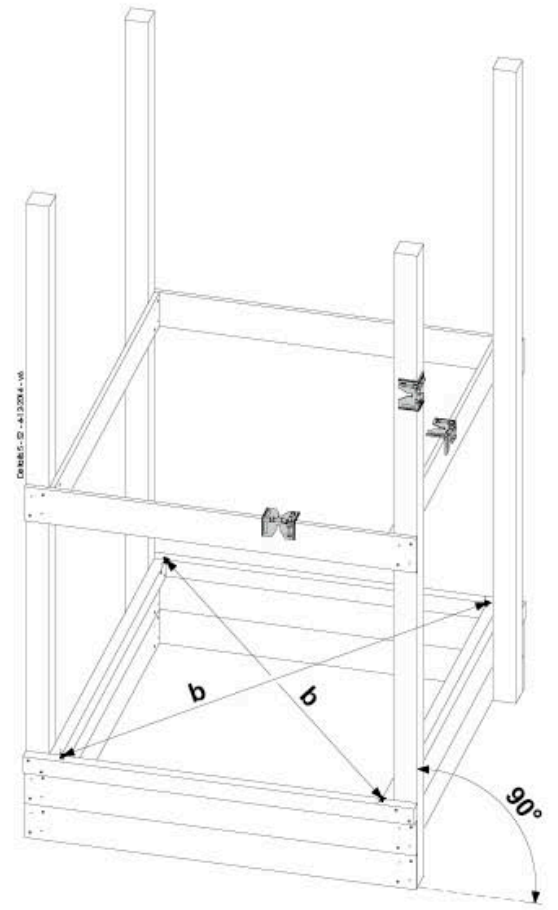
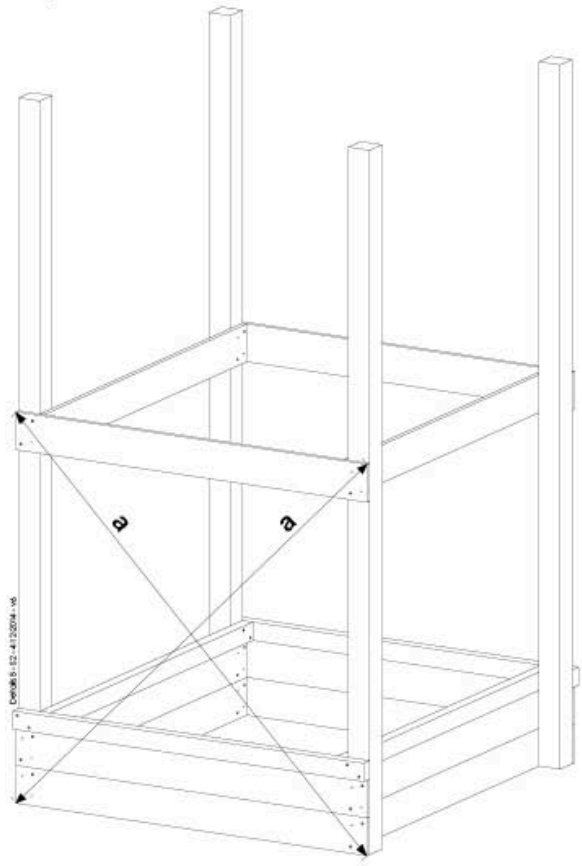
**5.1b**



**5.1c**

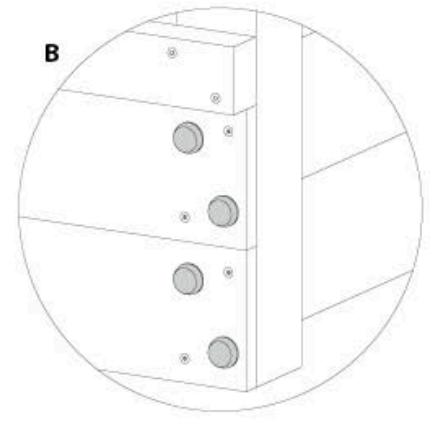
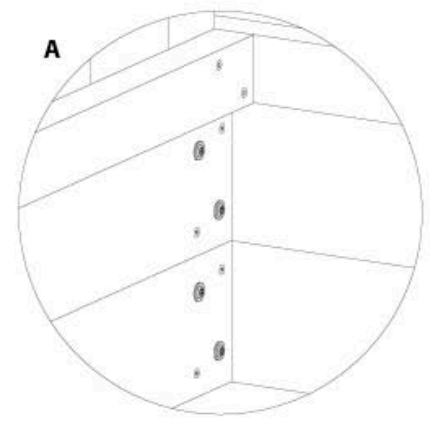
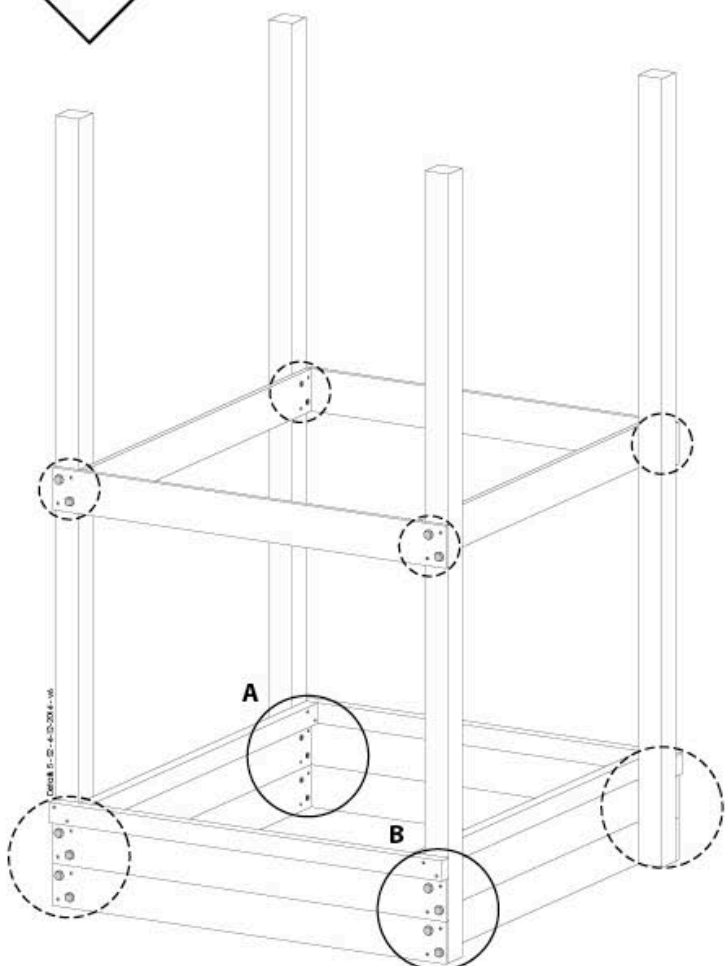


**5.1d**



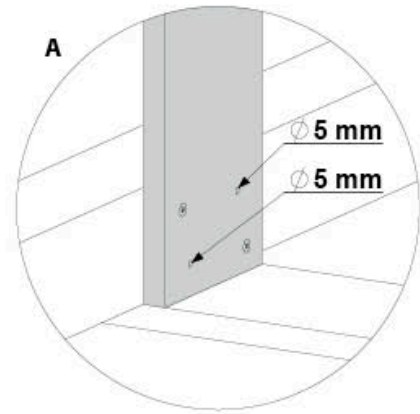
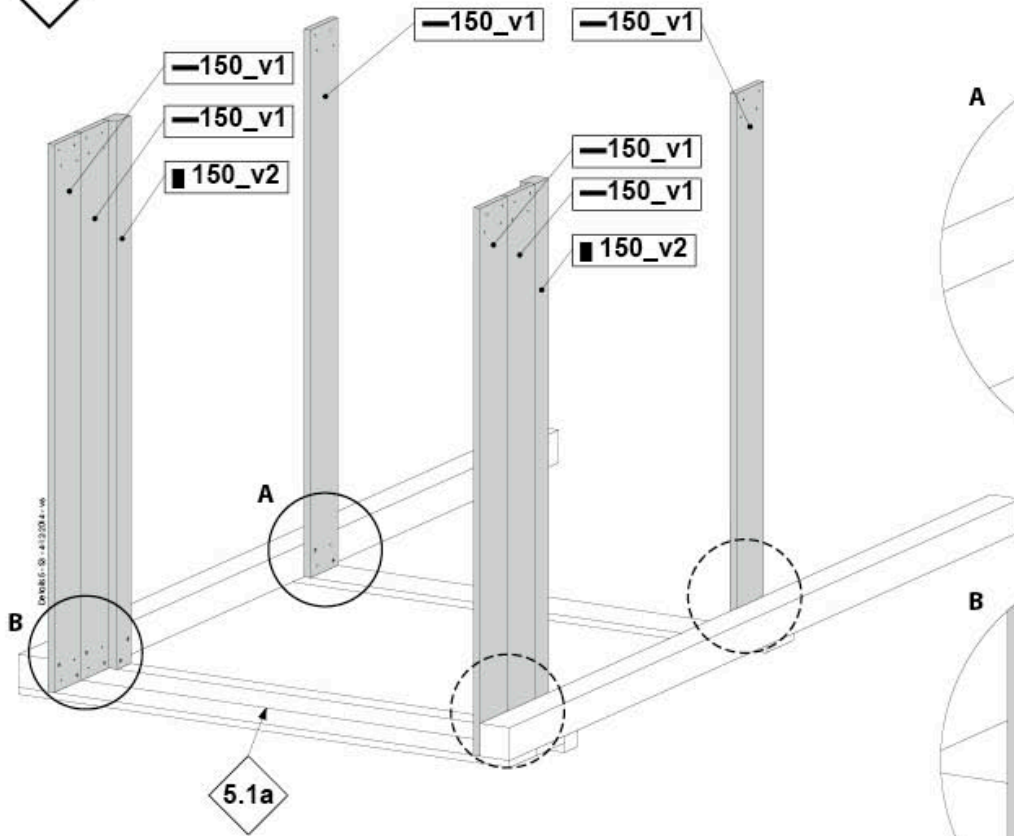
a = a  
b = b

**5.1e**

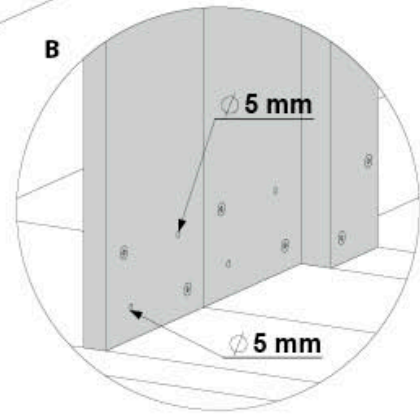




**5.2a**

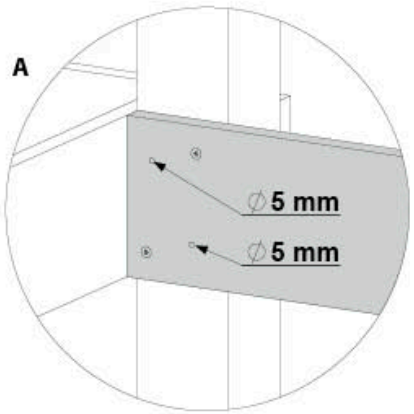
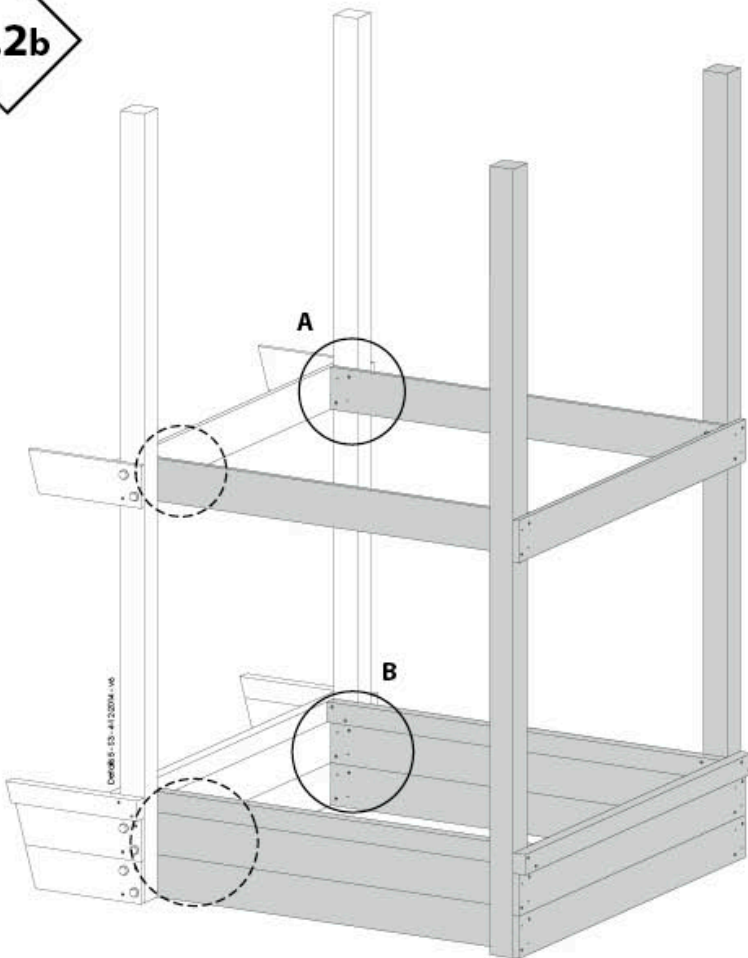


80mm  
4x

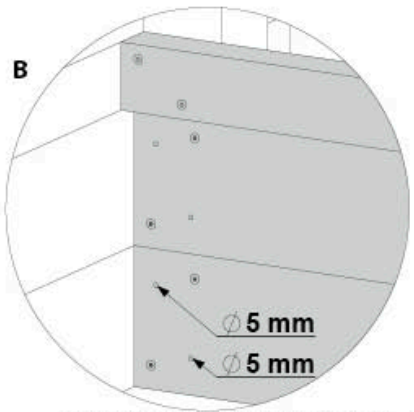


80mm  
12x

**5.2b**



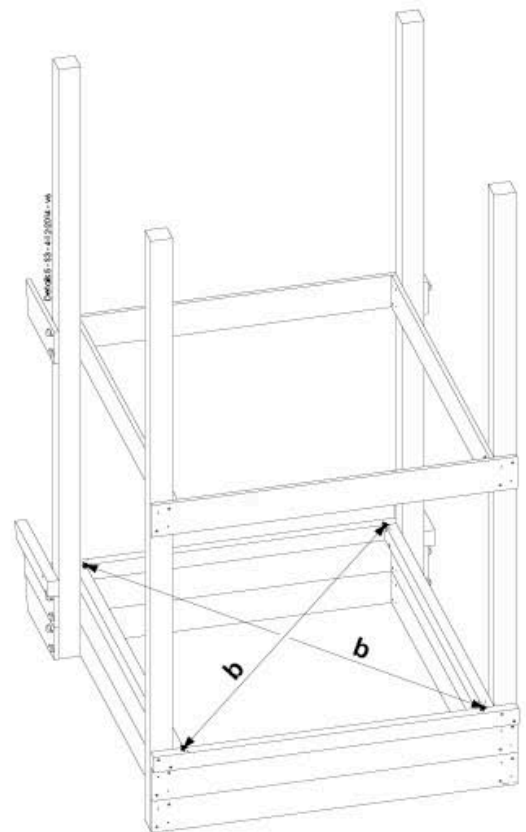
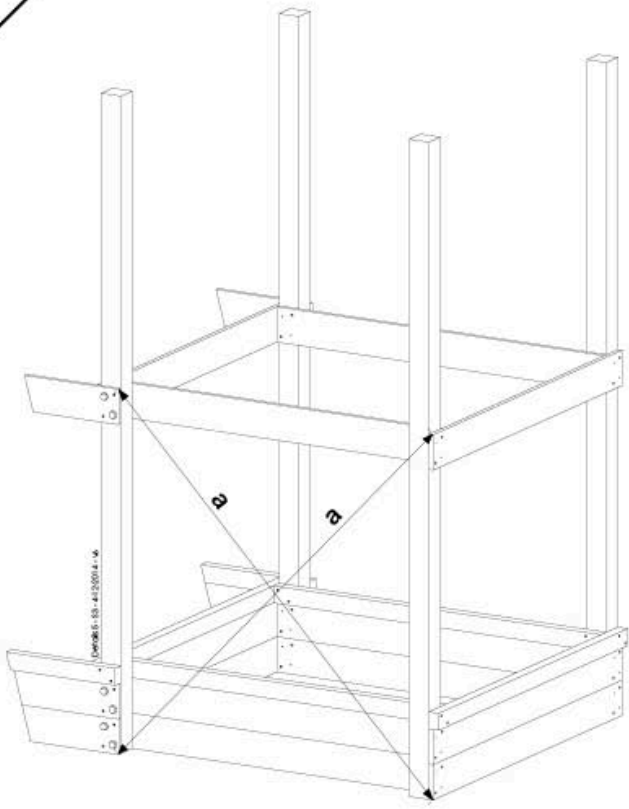
80mm  
4x



80mm  
12x

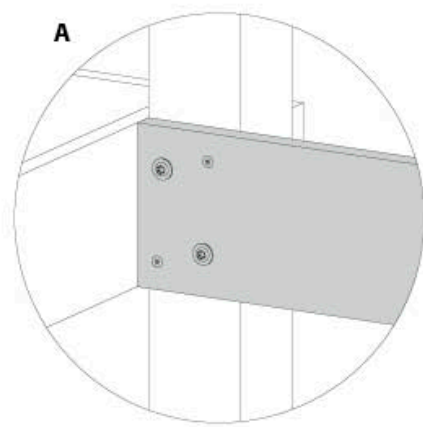
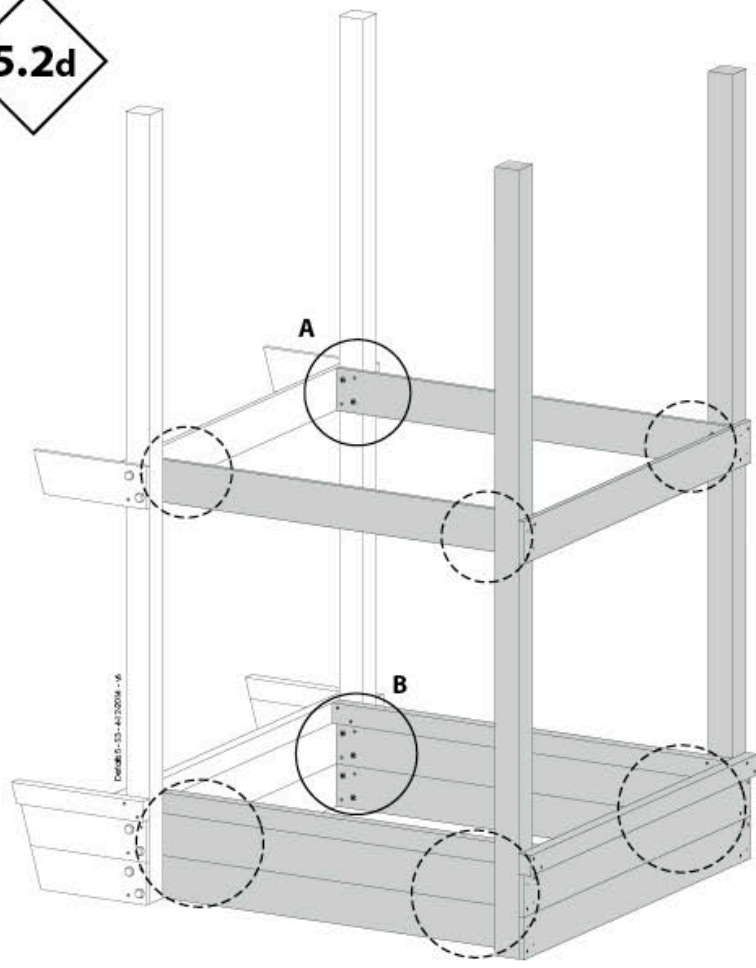


5.2c

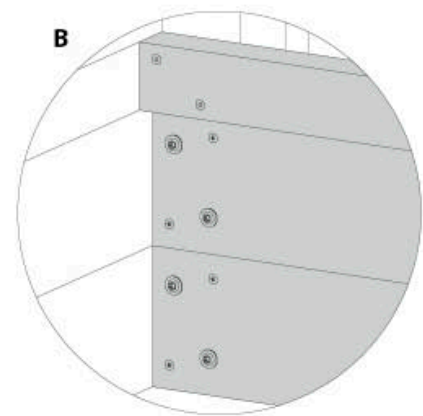


a = a  
b = b

5.2d

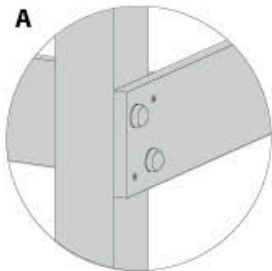
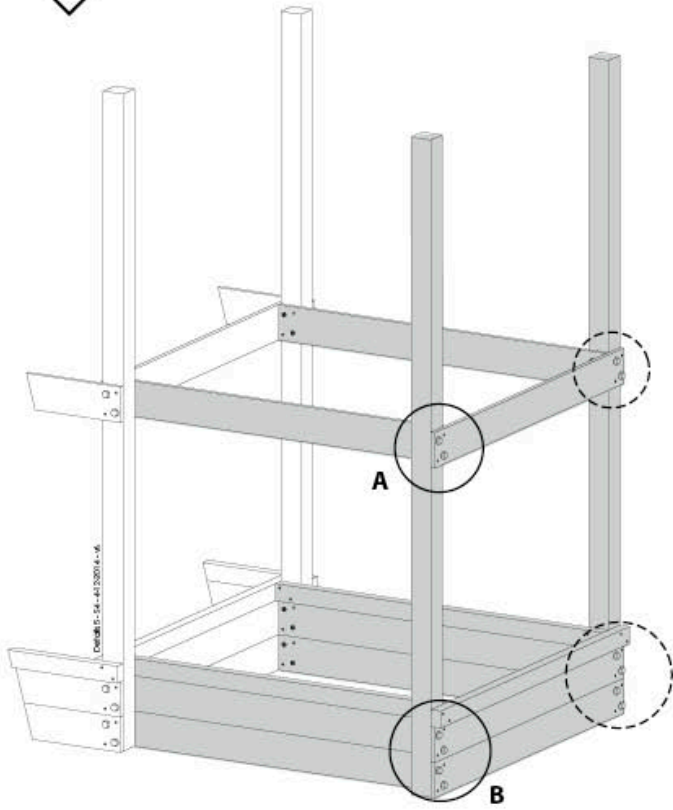


80 mm  
8x

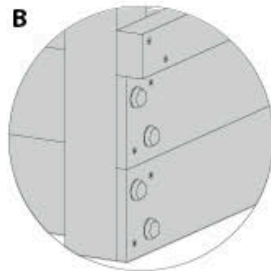


80 mm  
16x

**5.3a**

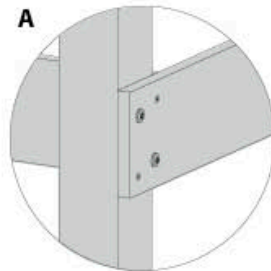
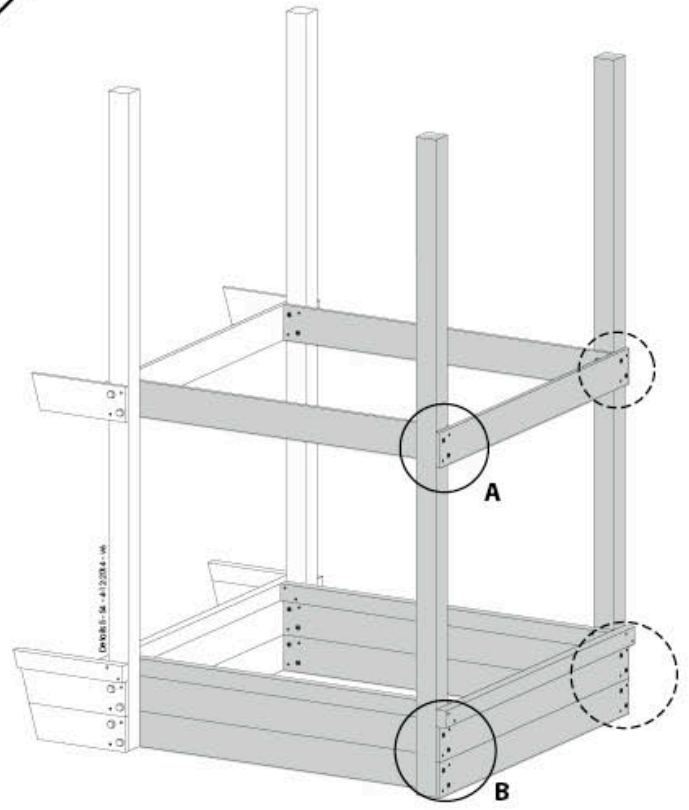


80mm  
4x

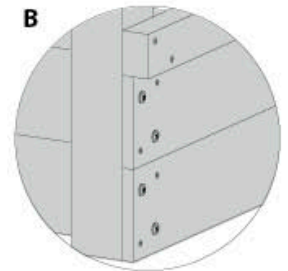


80mm  
8x

**5.3b**

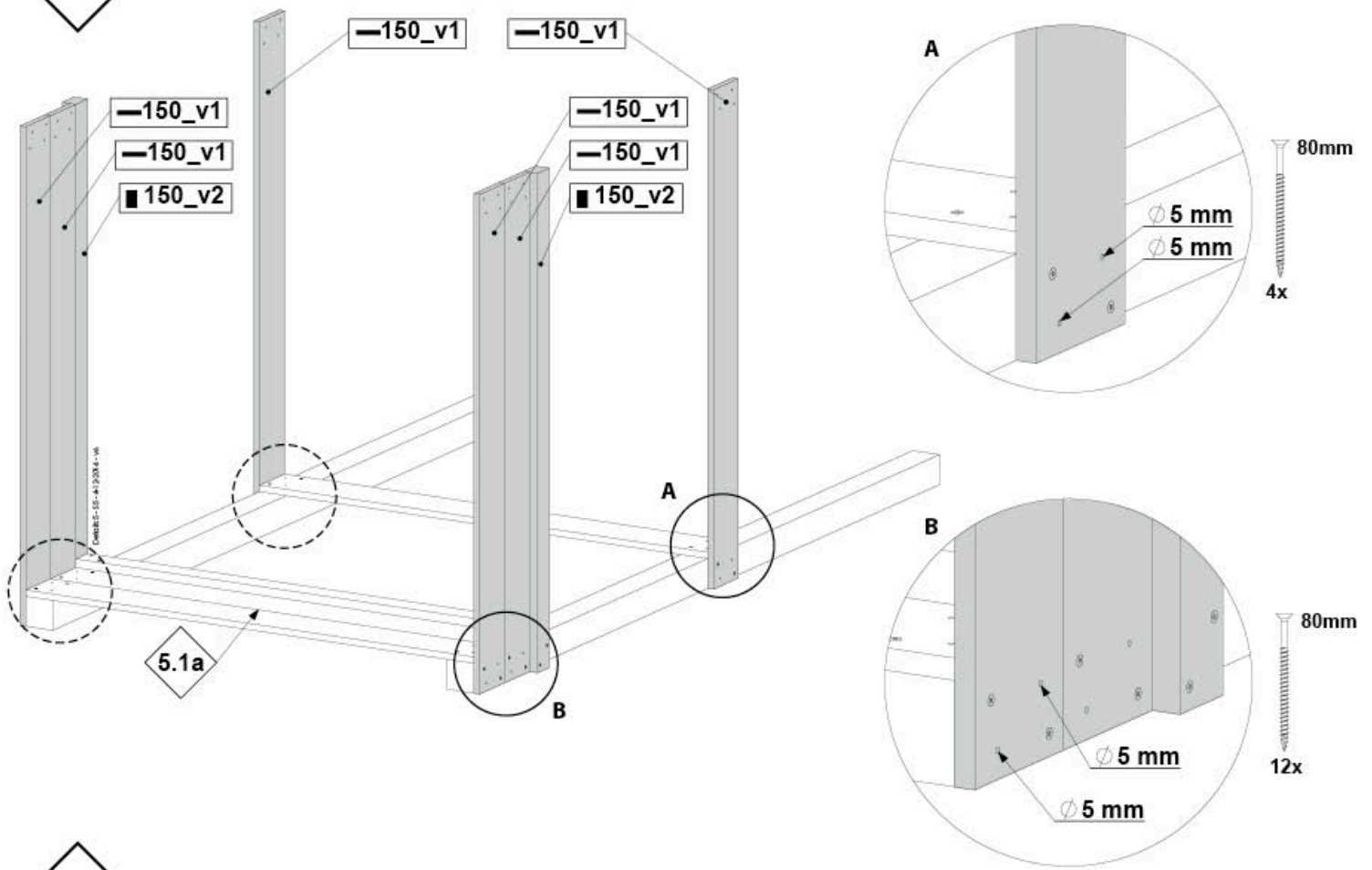


80mm  
4x

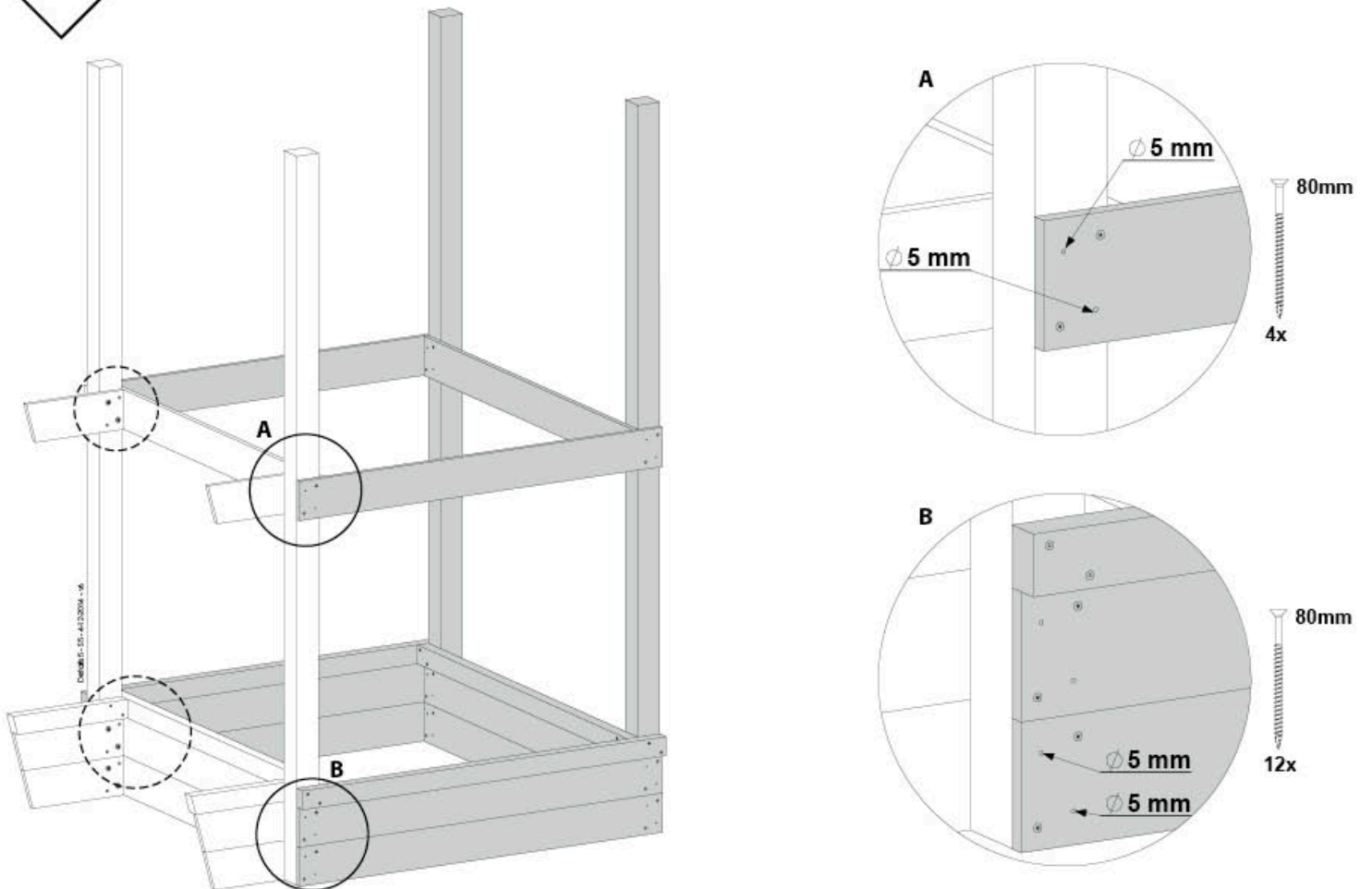


80mm  
8x

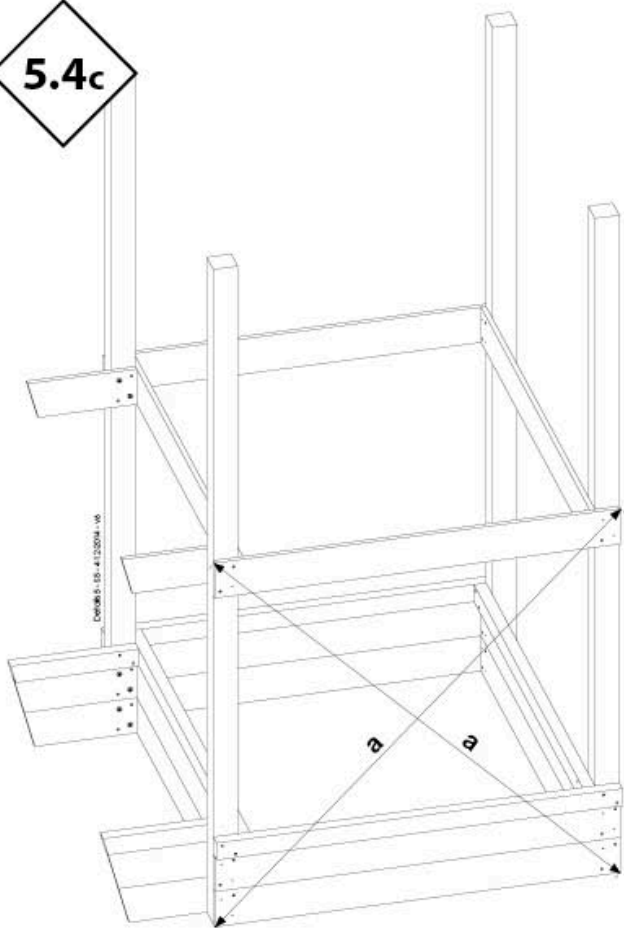
**5.4a**



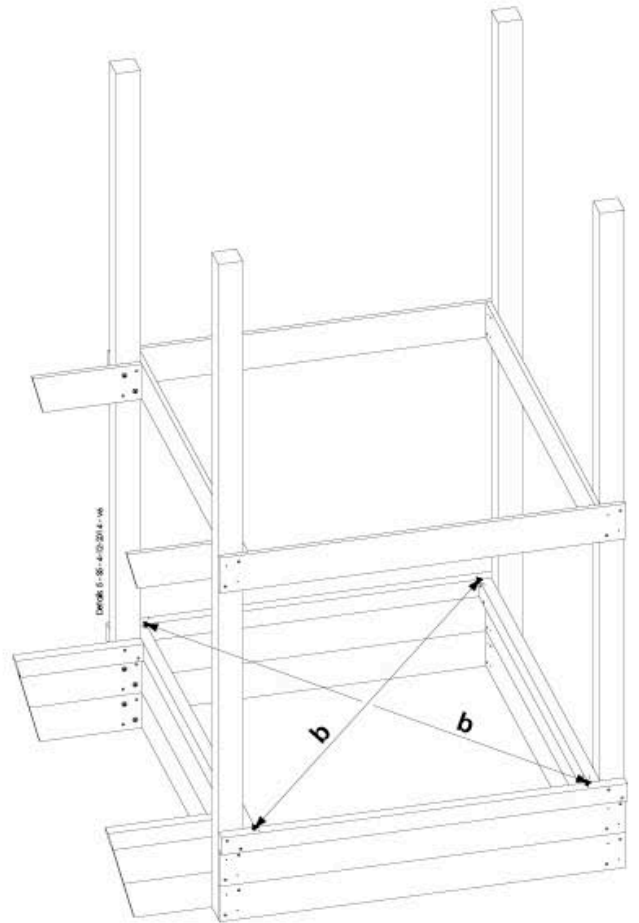
**5.4b**



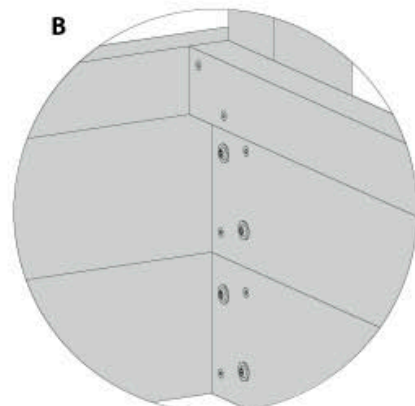
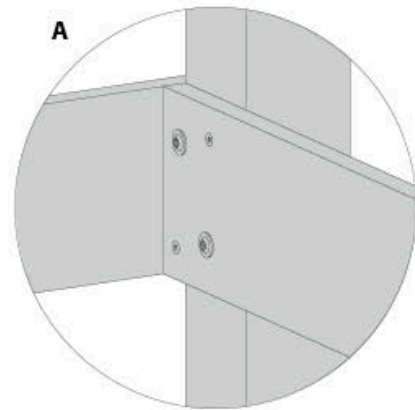
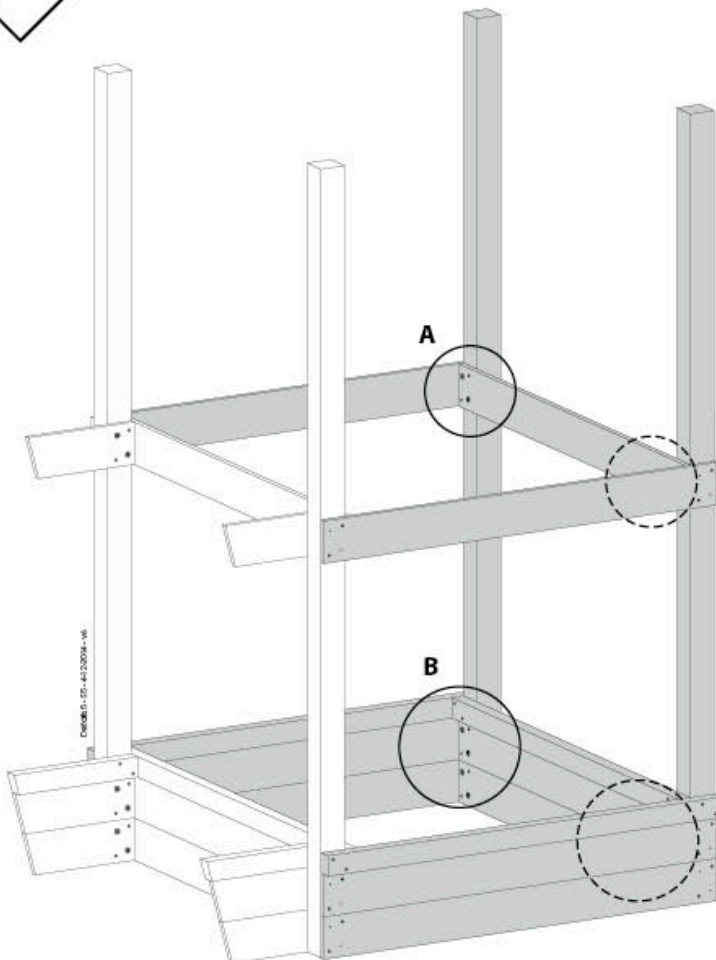
**5.4c**



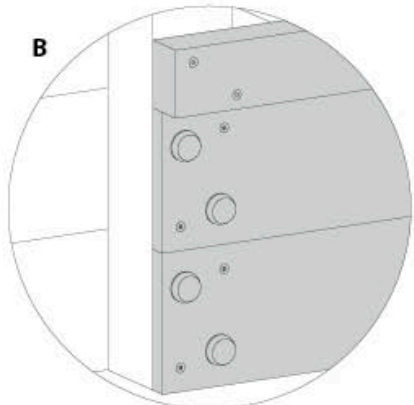
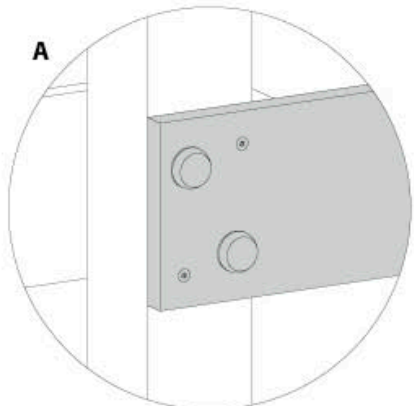
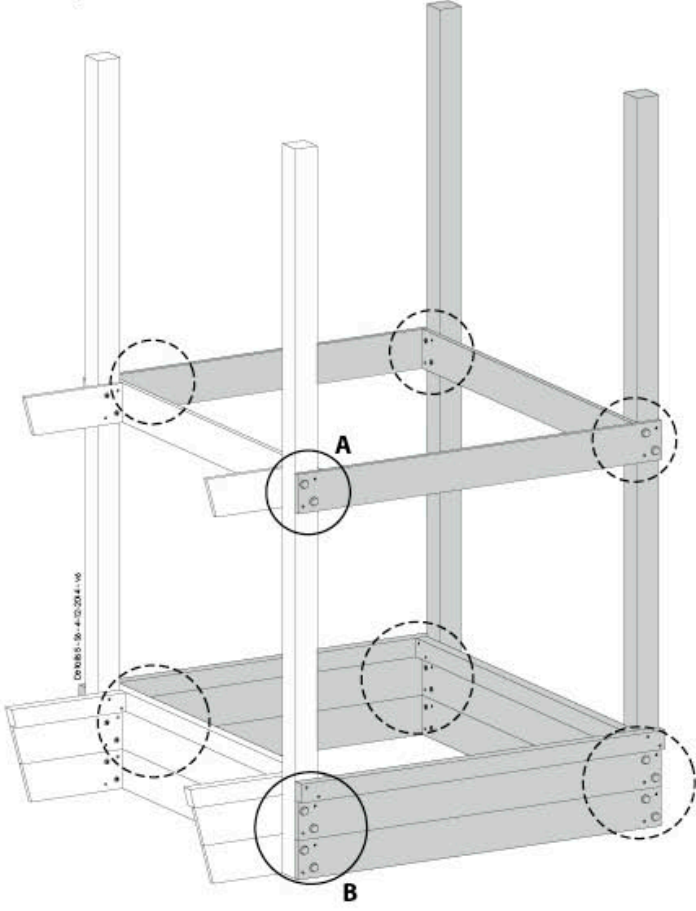
**a = a**  
**b = b**



**5.4d**

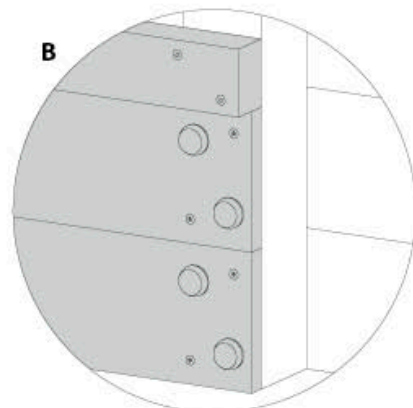
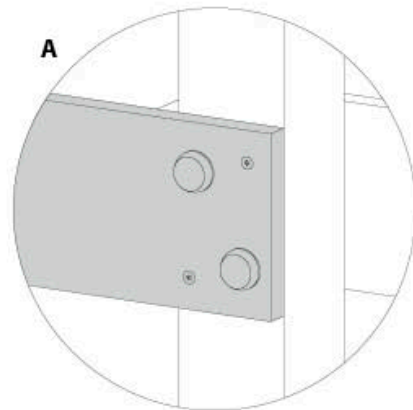
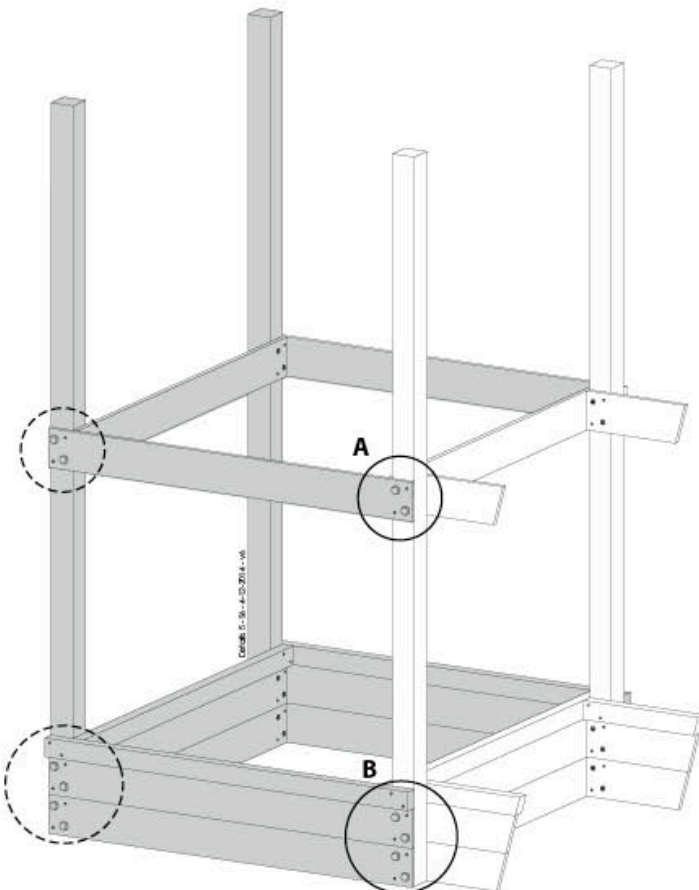
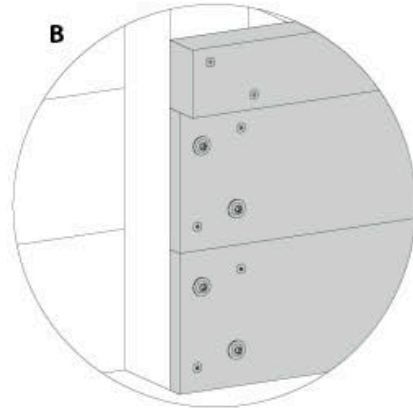
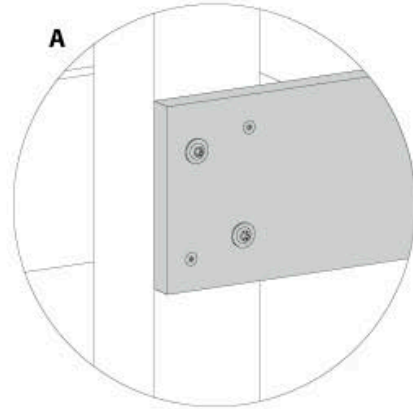
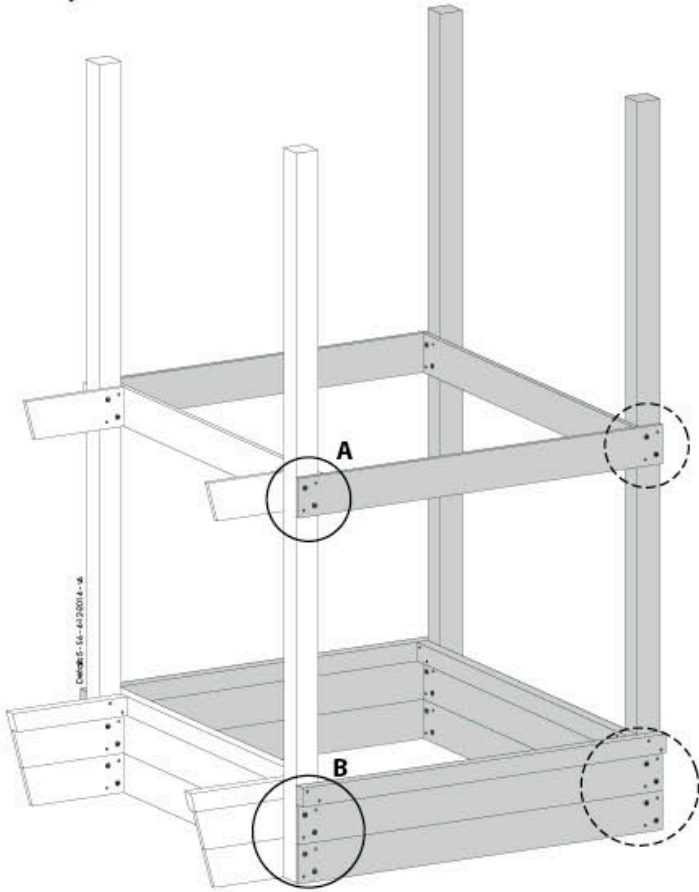


5.5a

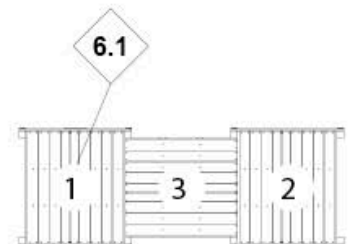
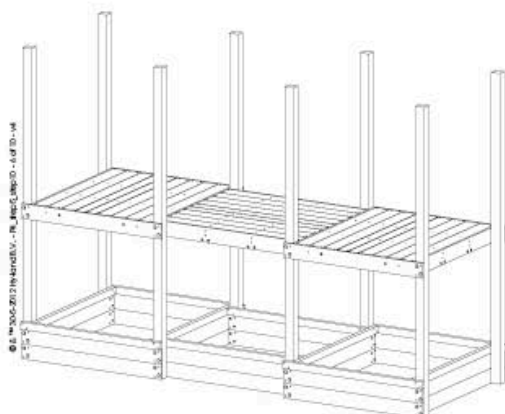
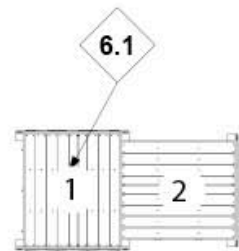
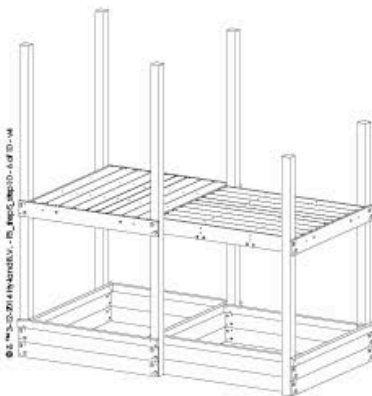
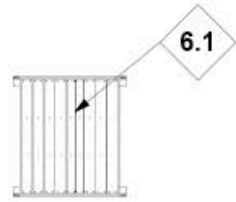
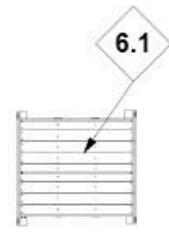




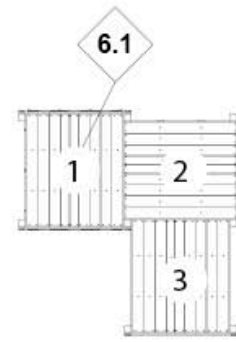
**5.5b**



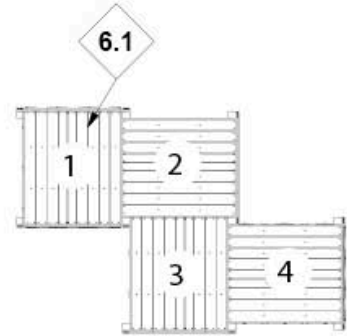
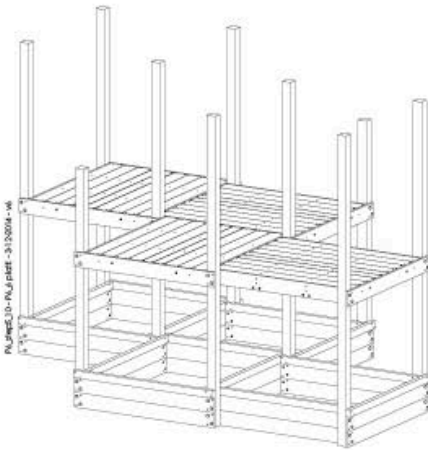
6



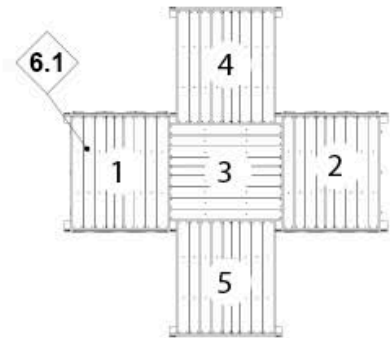
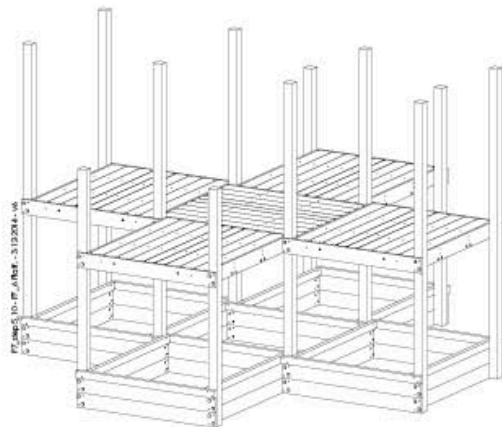
5



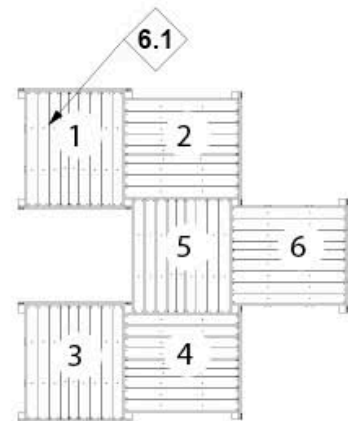
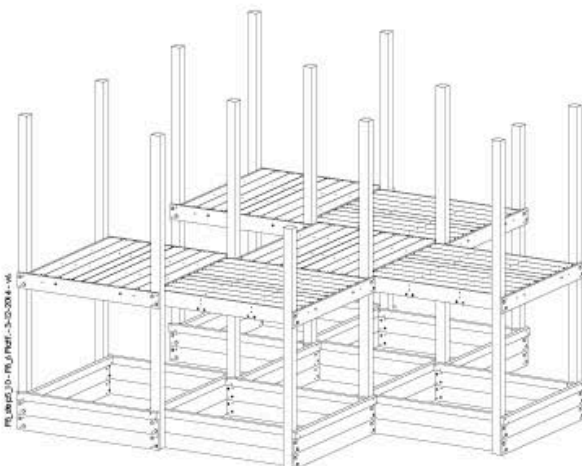
6



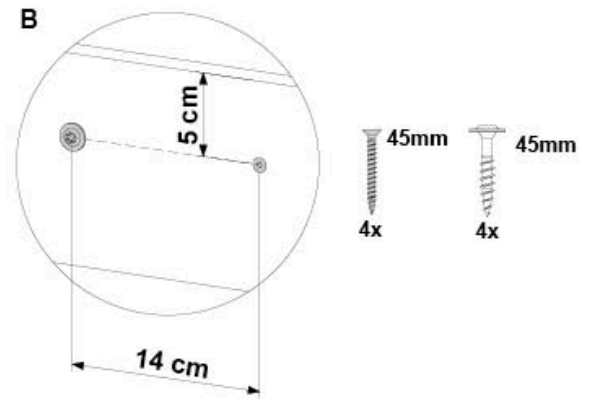
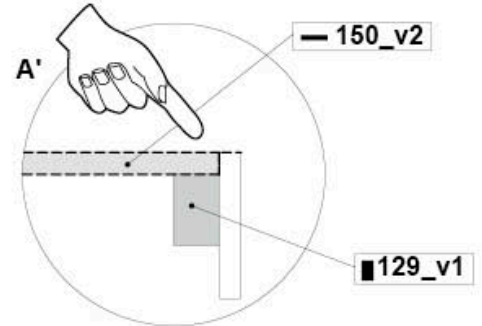
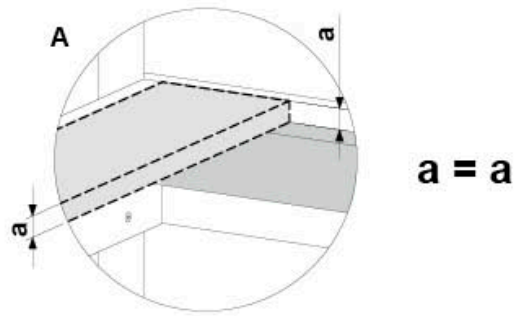
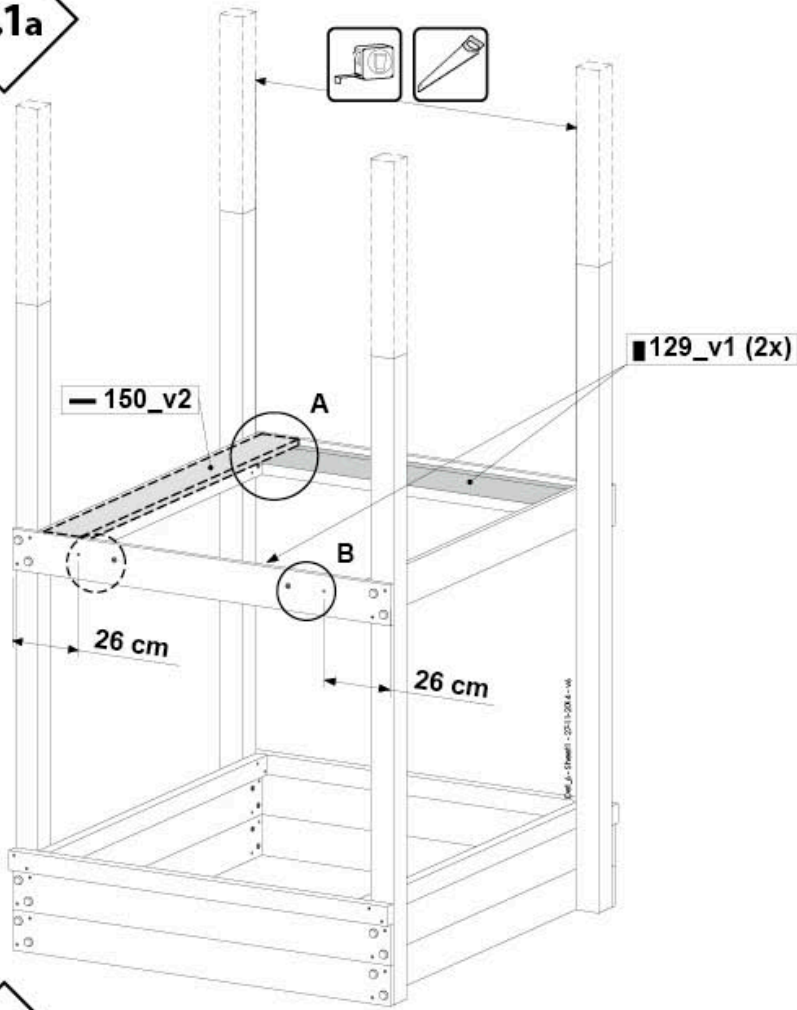
7



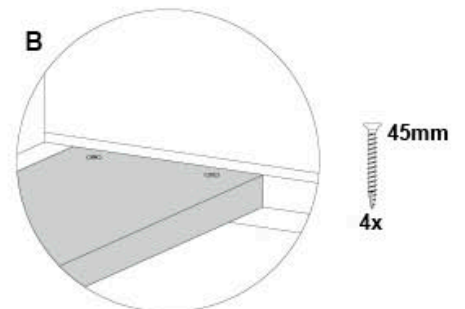
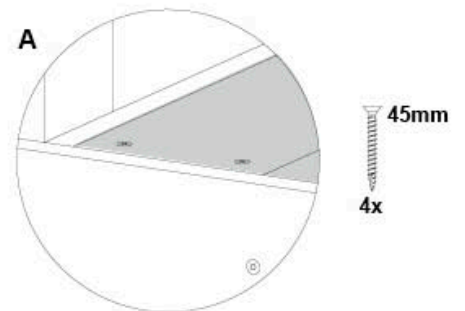
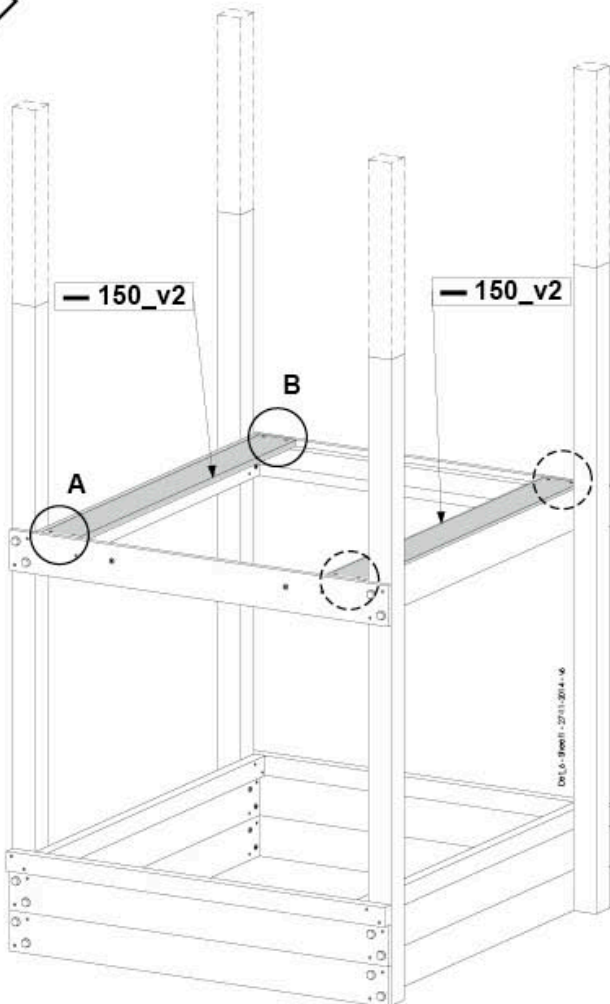
8



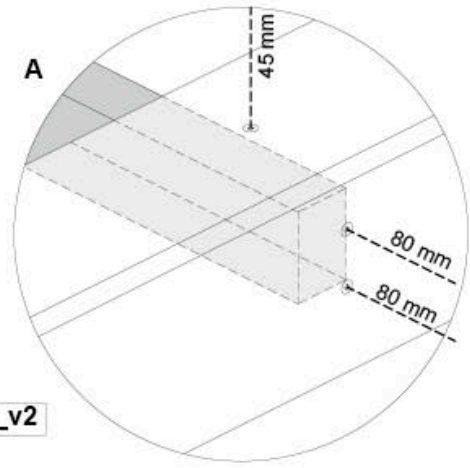
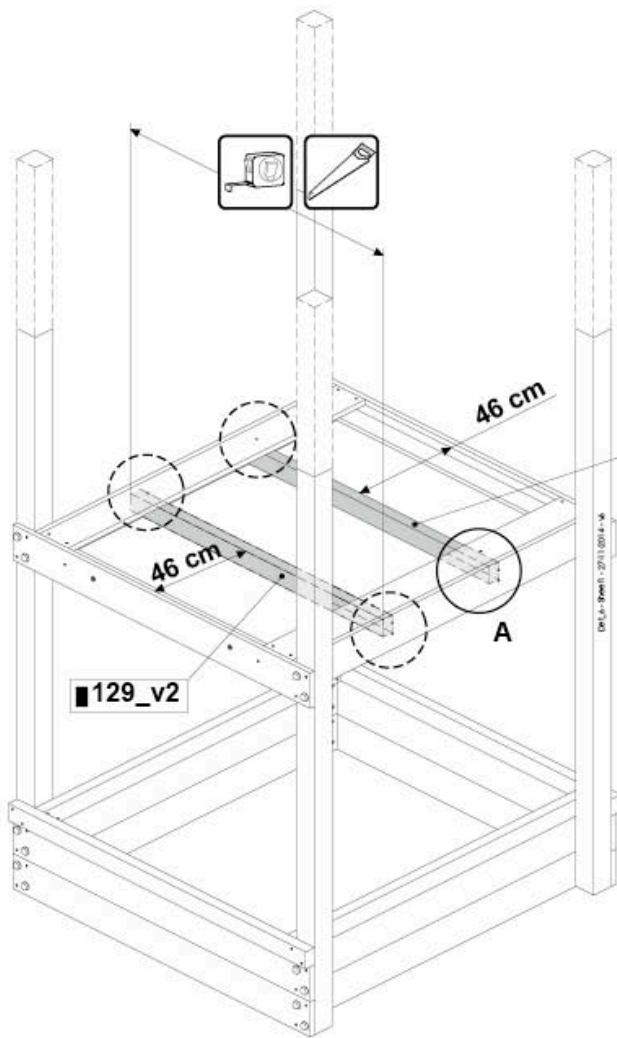
**6.1a**



**6.1b**

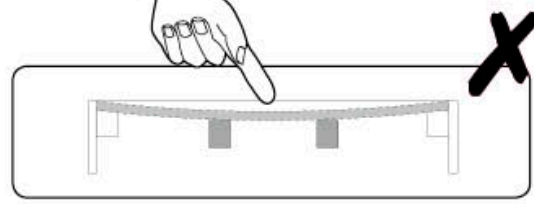
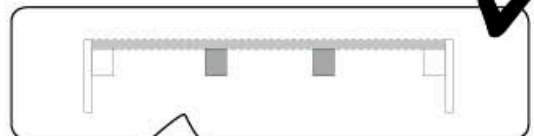
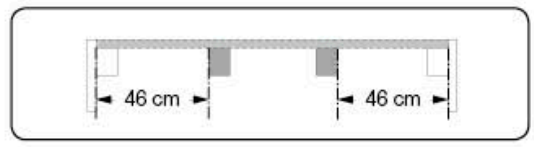


**6.1c**

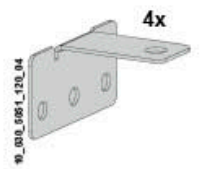
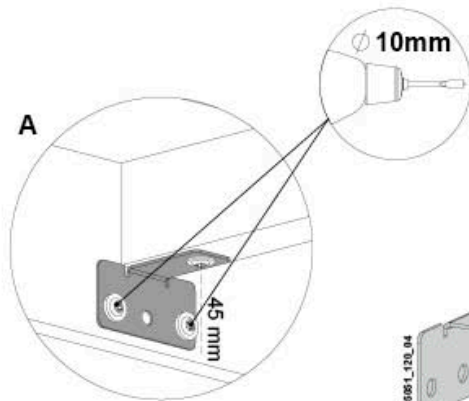
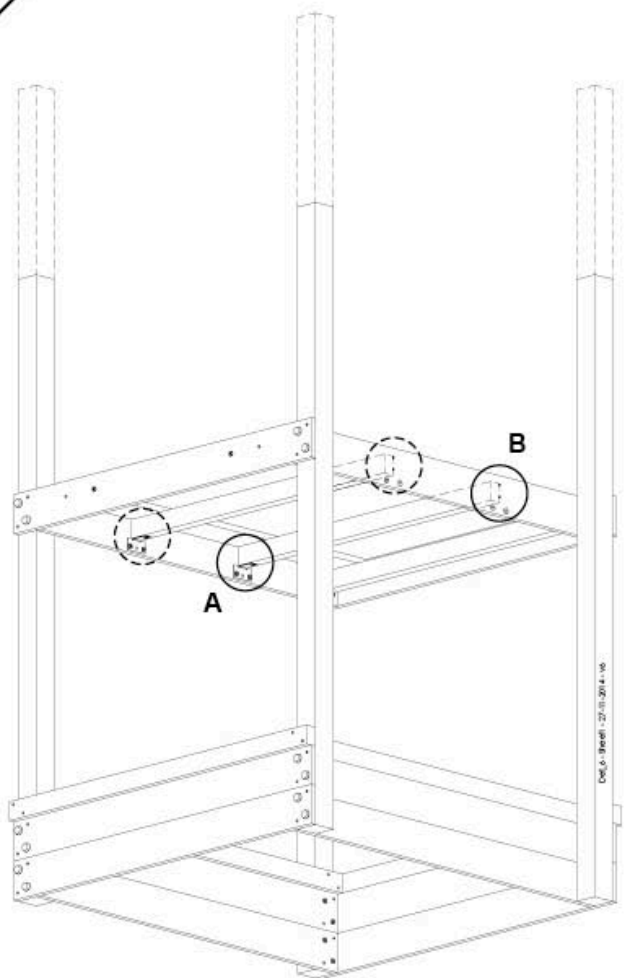


45mm  
4x

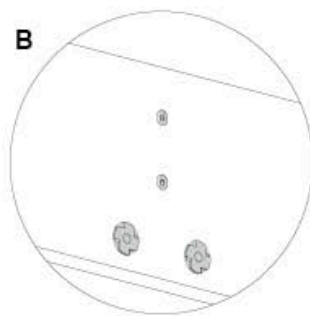
80mm  
8x



**6.1d**



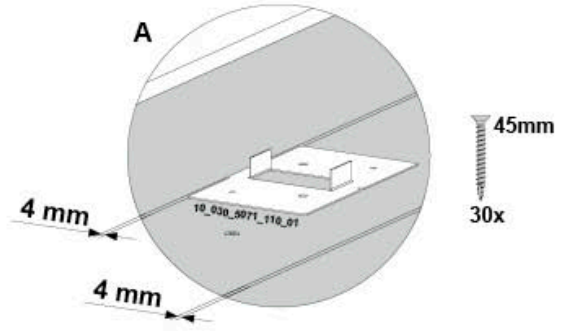
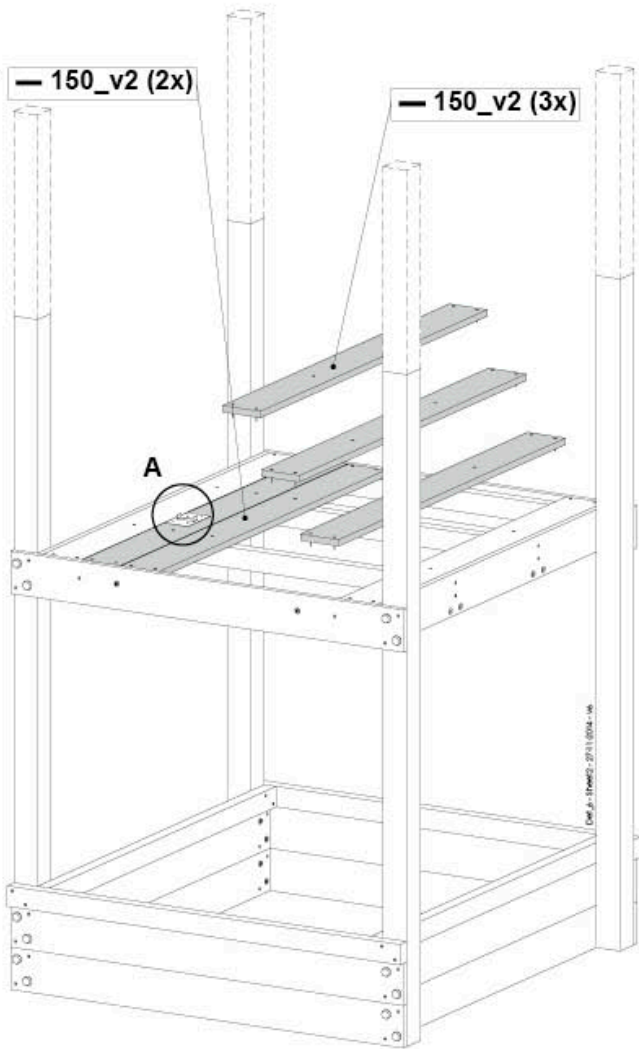
45mm  
4x



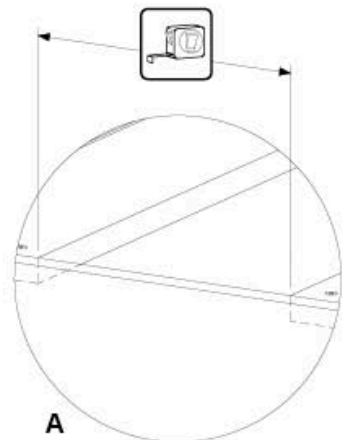
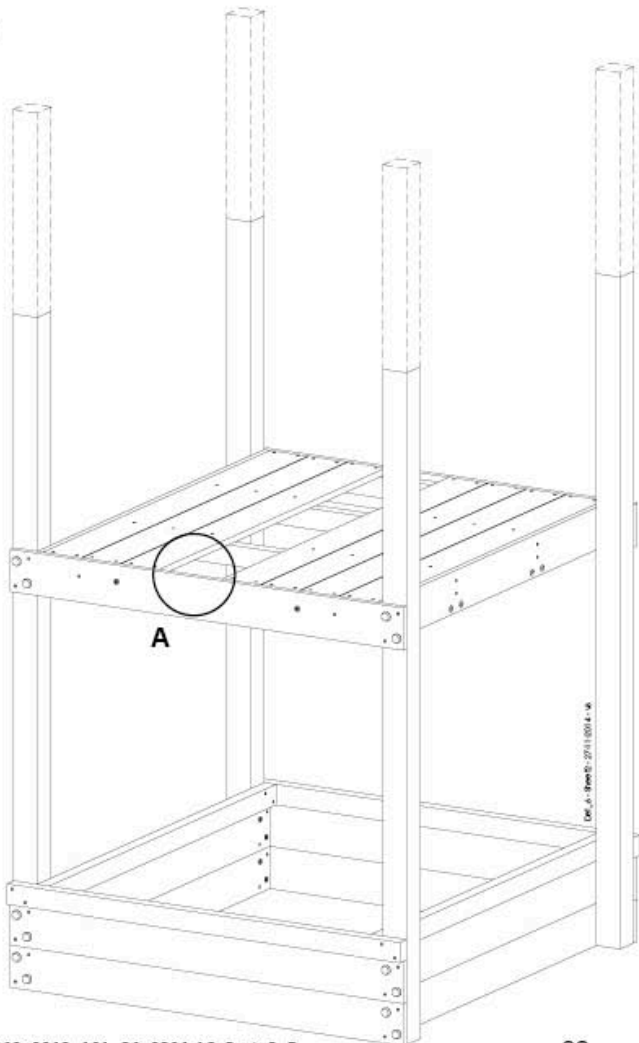
18mm  
ø15  
16mm  
8x



**6.1e**

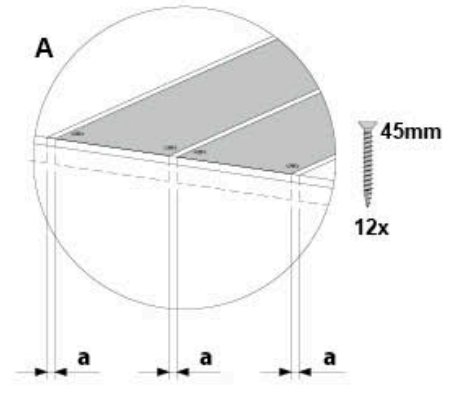
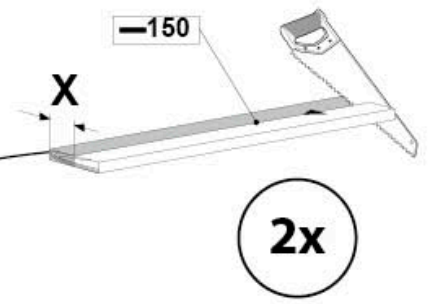
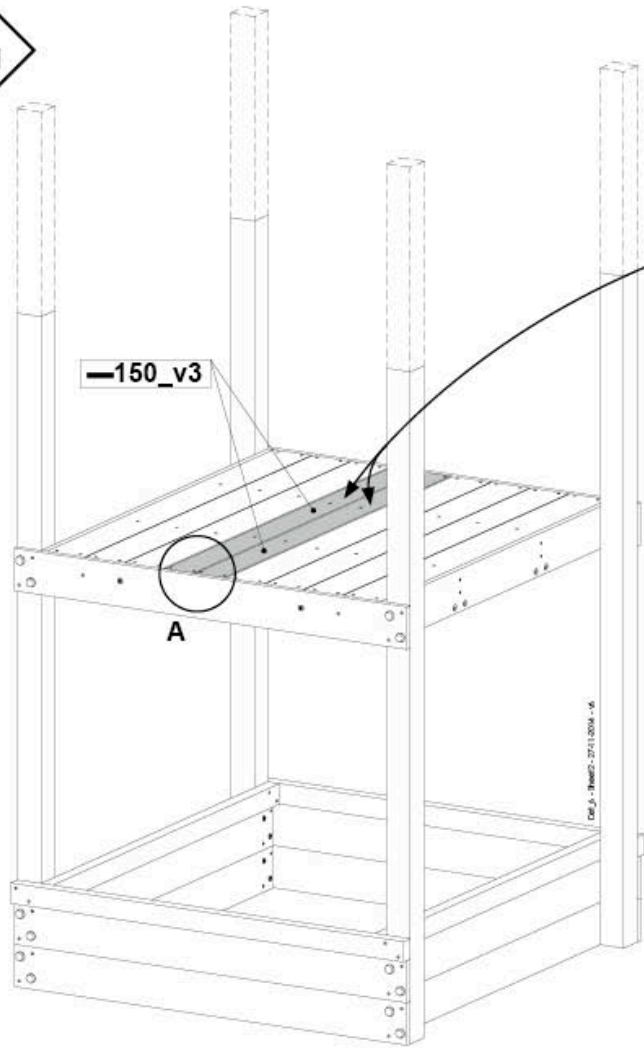


**6.1f**

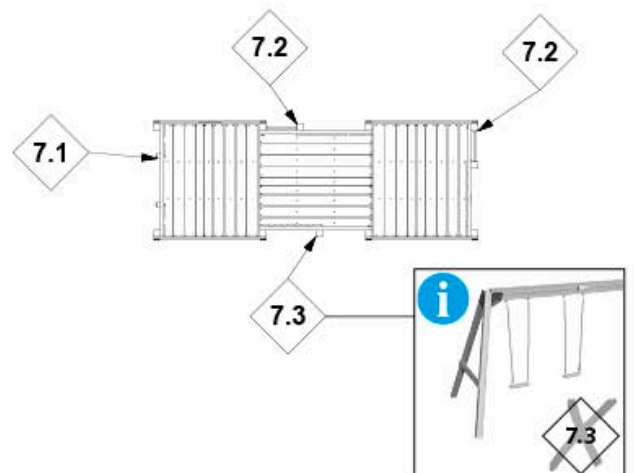
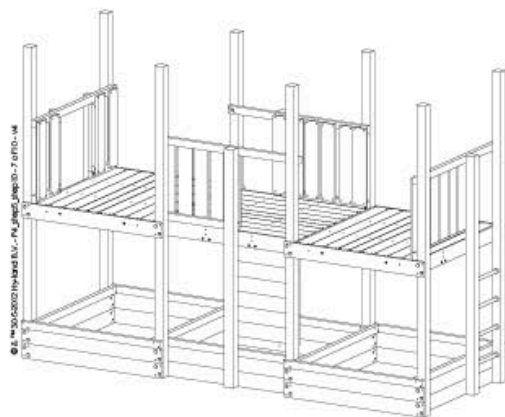
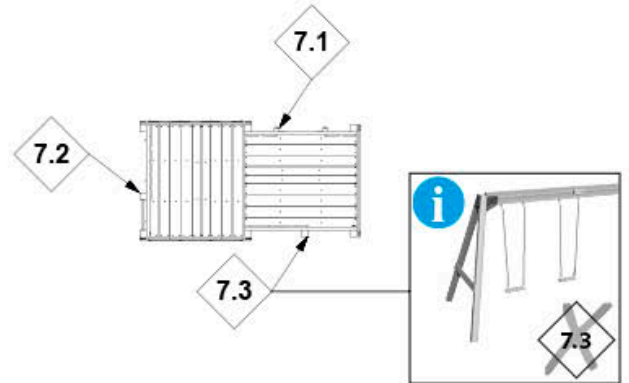
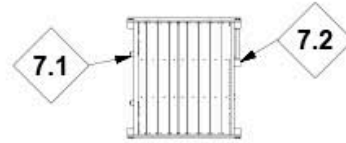
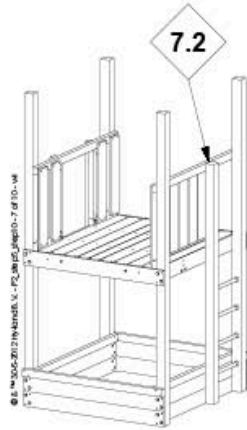
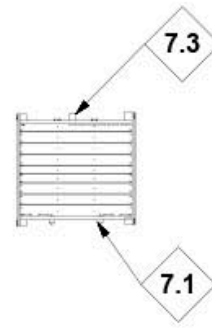
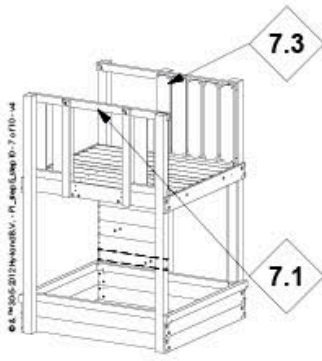


$$\frac{\text{Icon} - 1,2 \text{ cm}}{2} = X$$

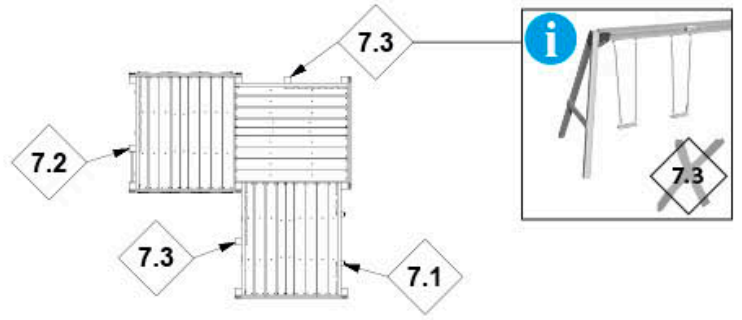
**6.1g**



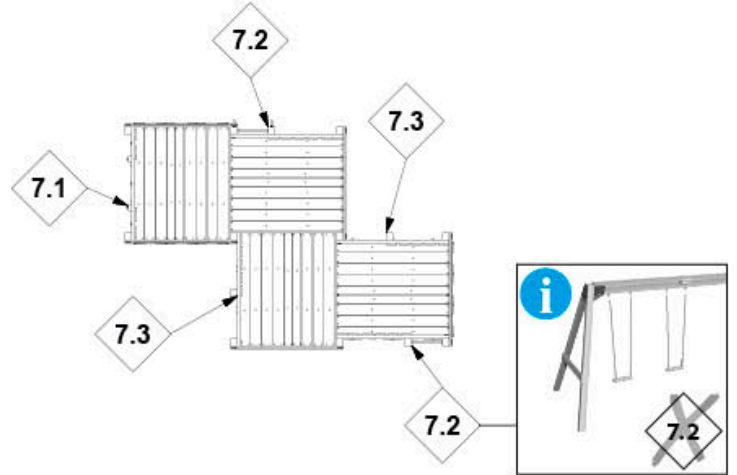
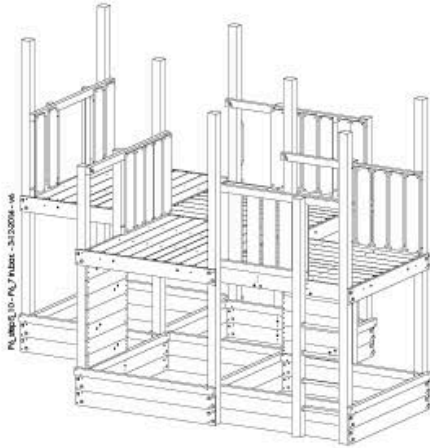
7



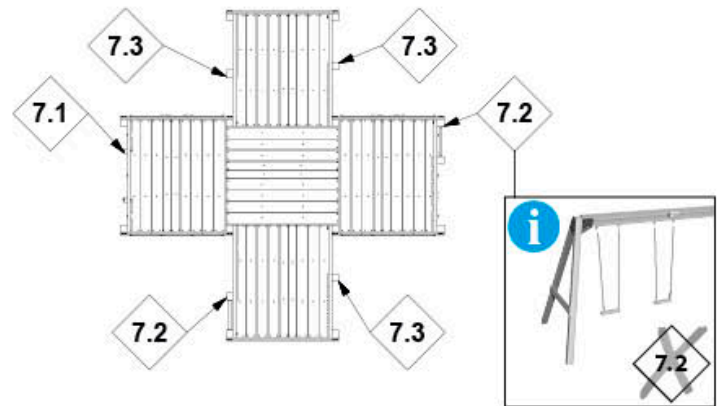
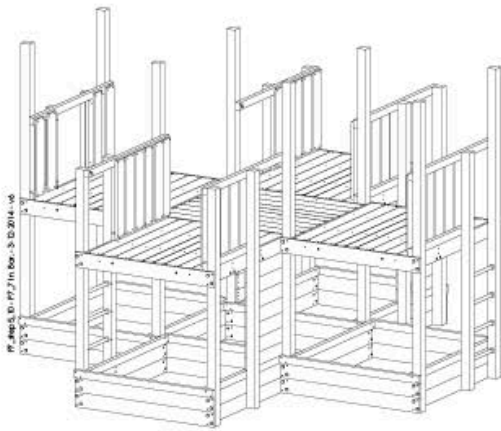
5



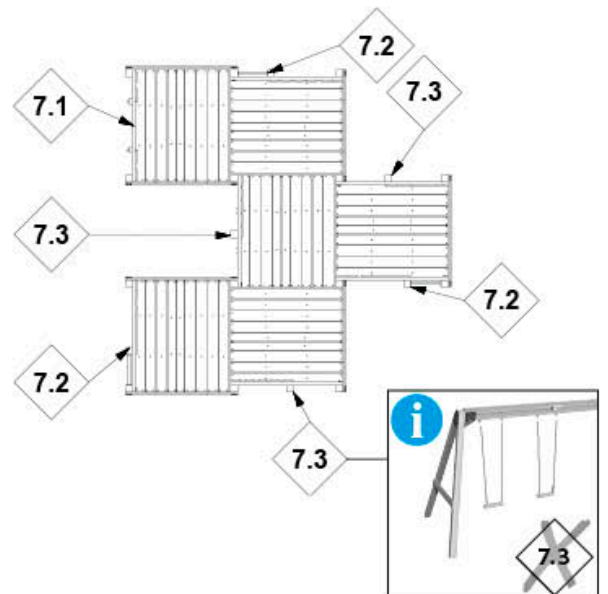
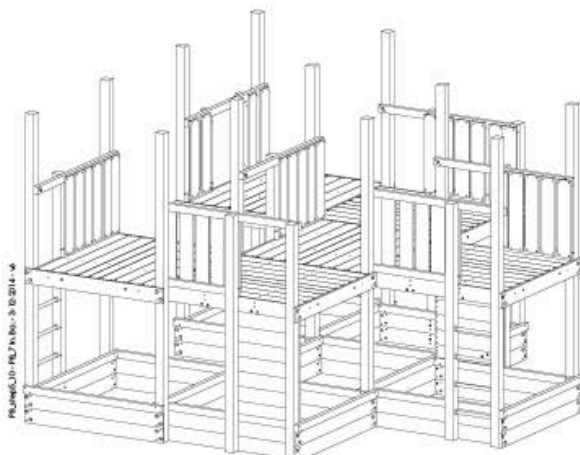
6



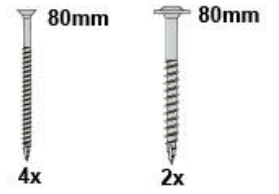
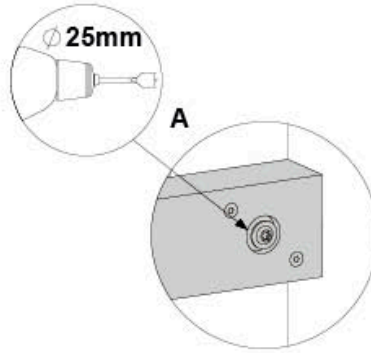
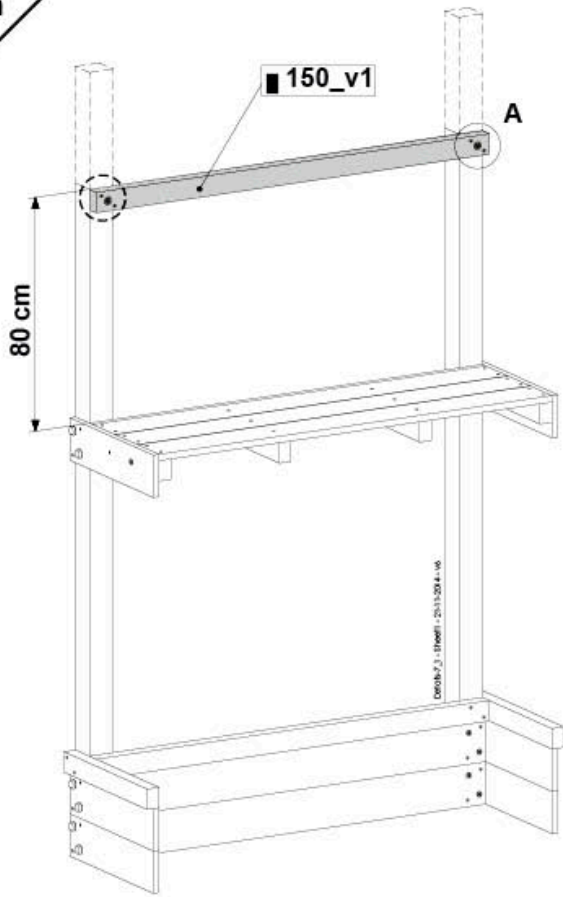
7



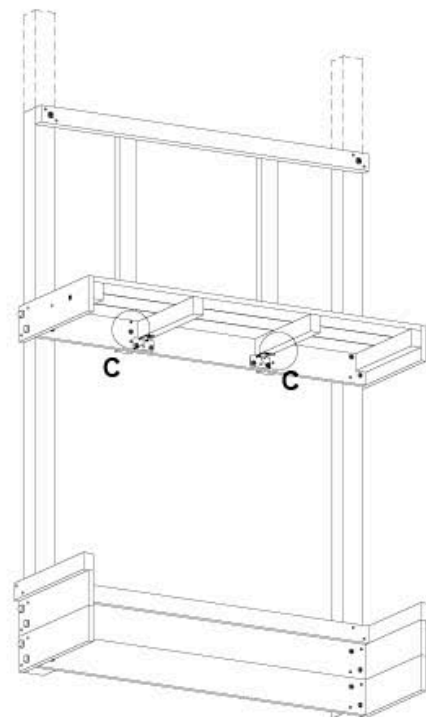
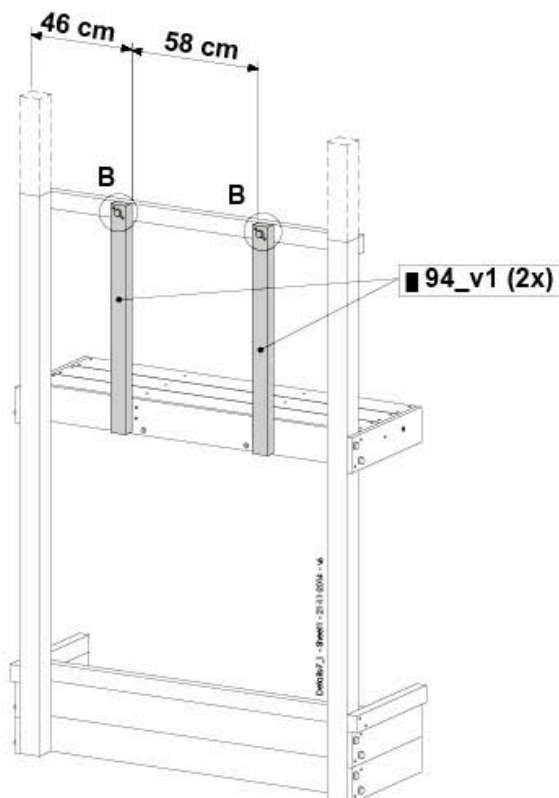
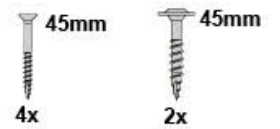
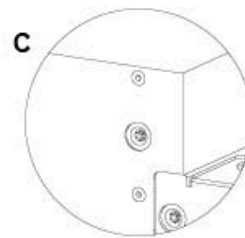
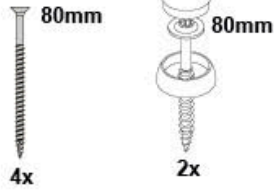
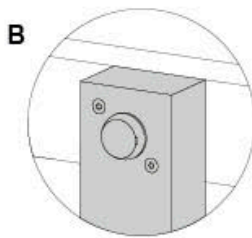
8



**7.1a**

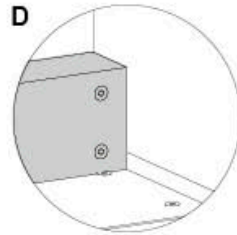
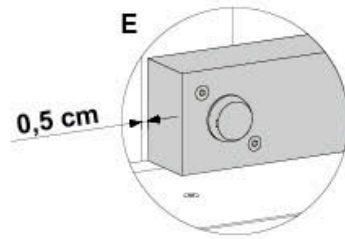
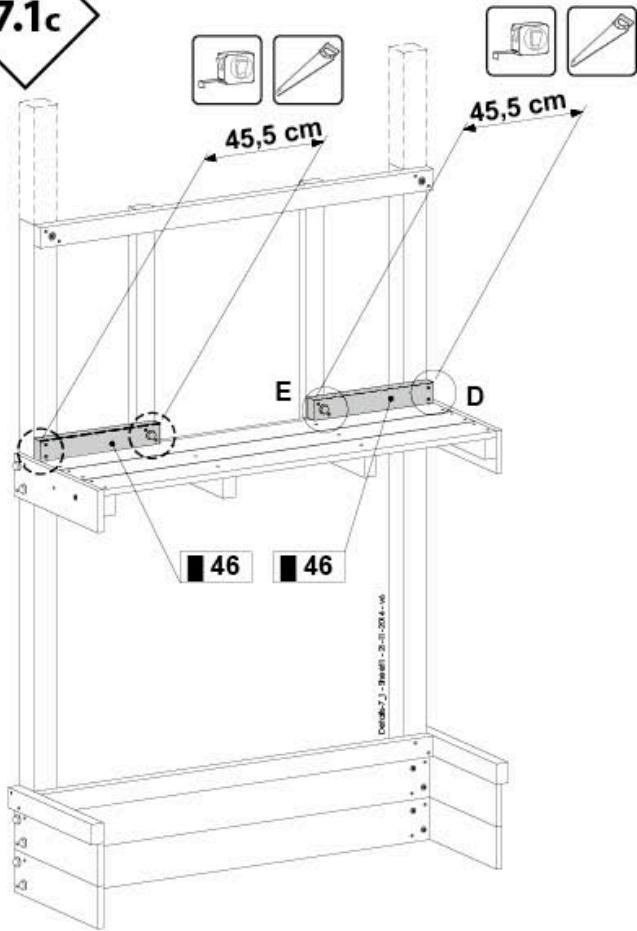


**7.1b**

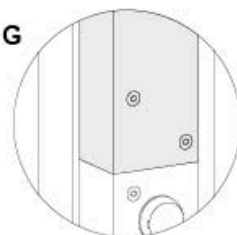
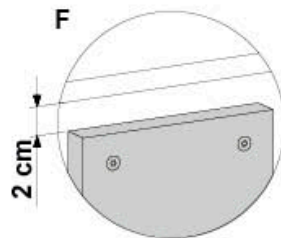
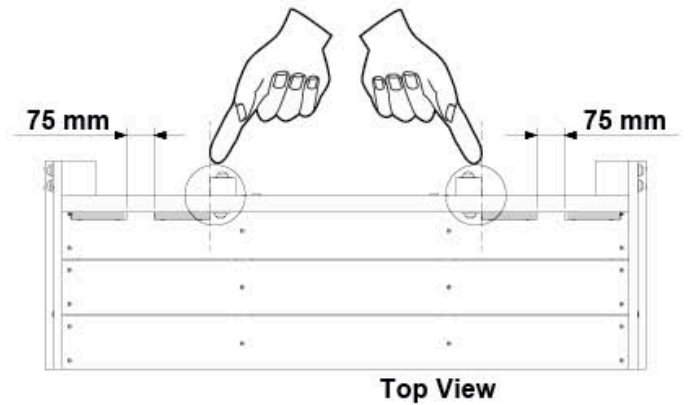
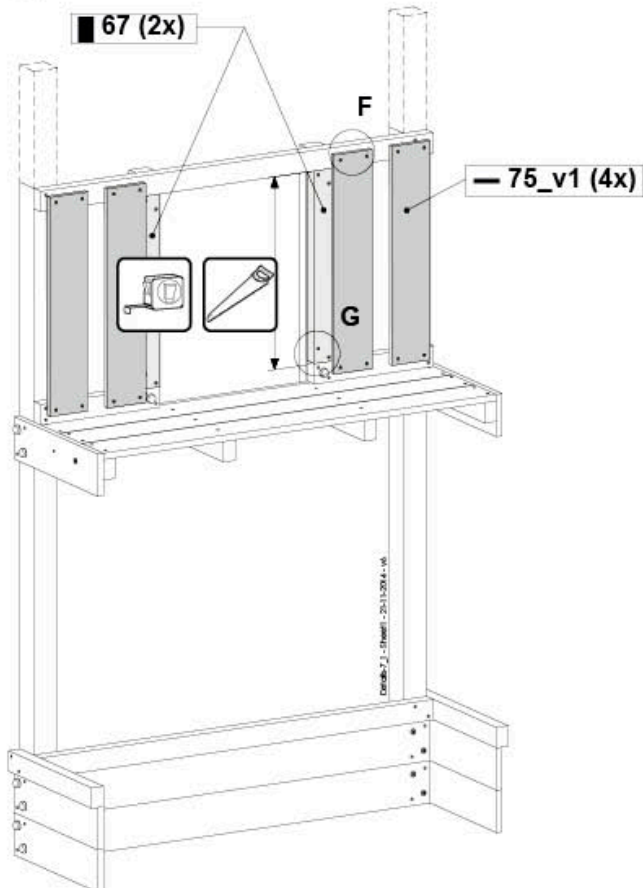




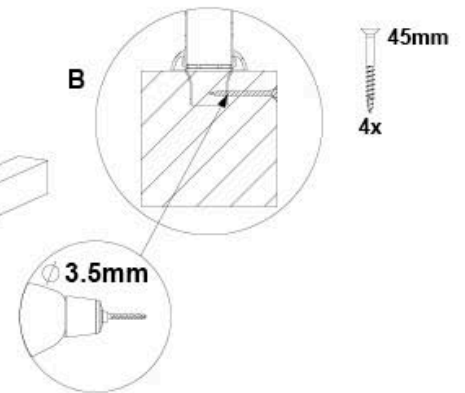
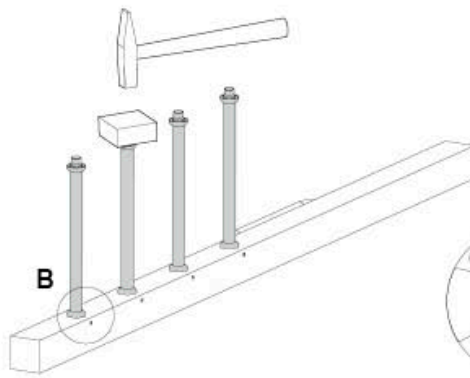
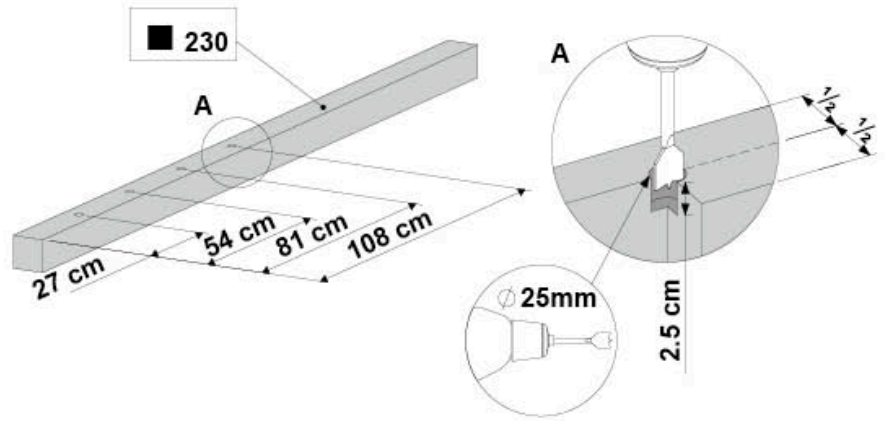
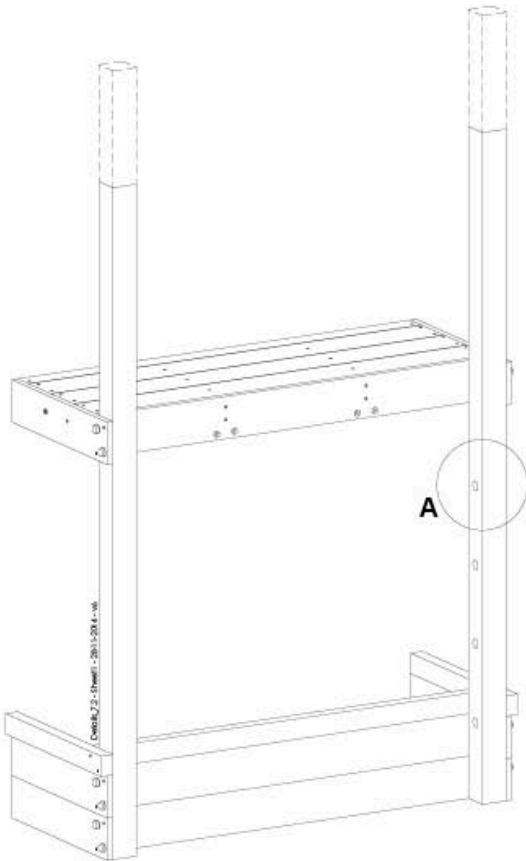
**7.1c**



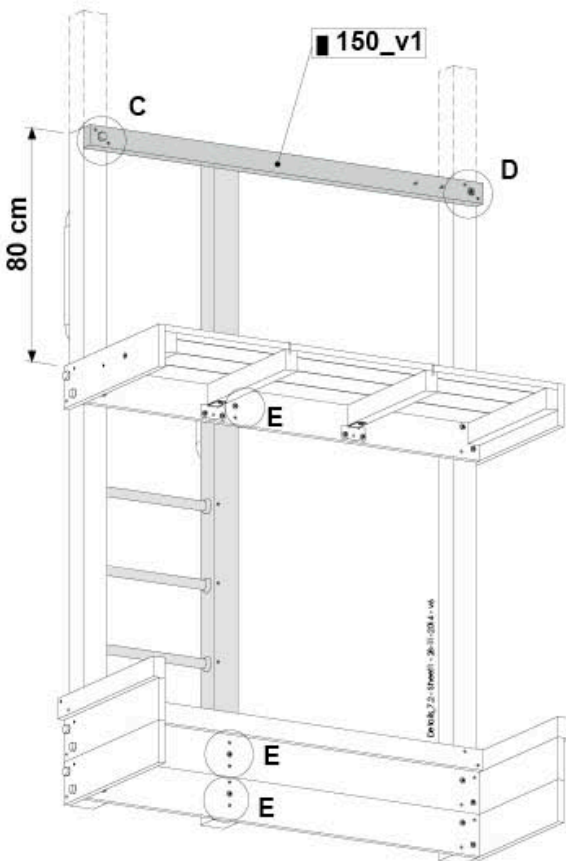
**7.1d**



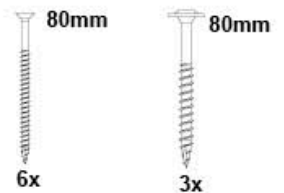
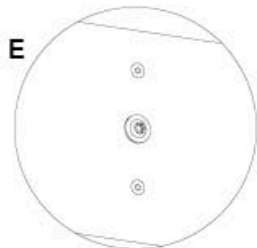
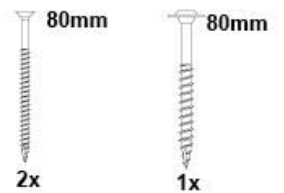
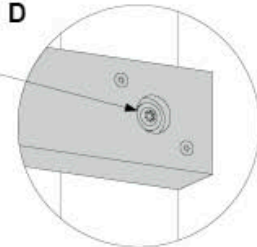
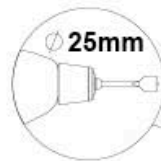
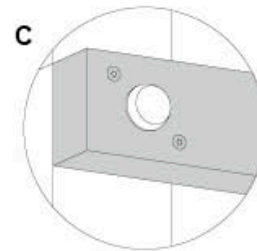
**7.2a**



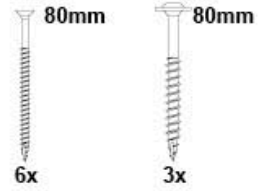
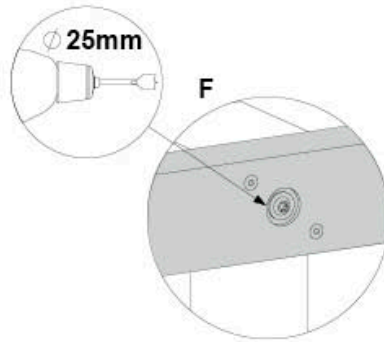
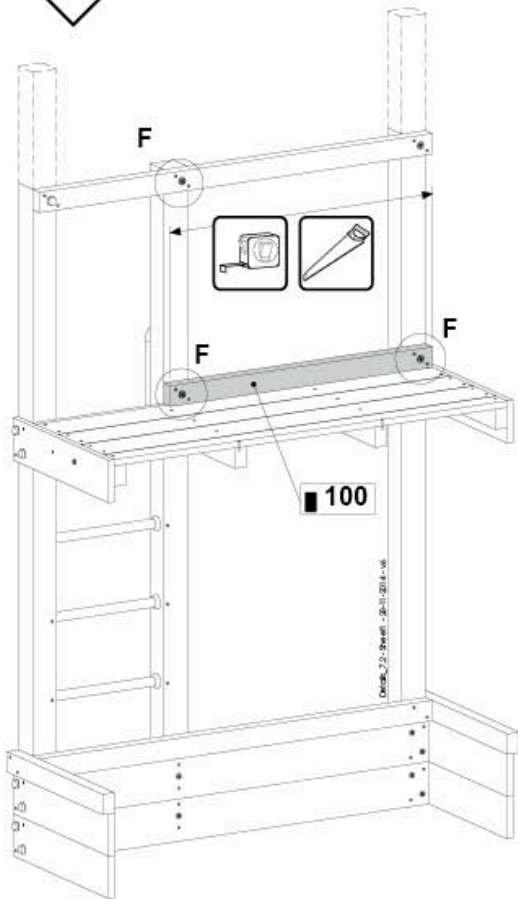
**7.2b**



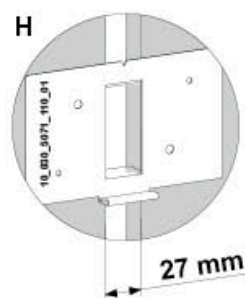
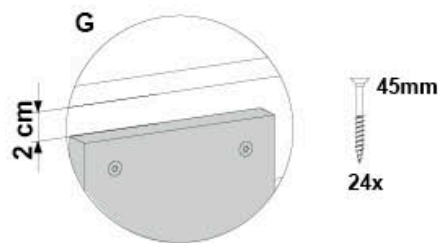
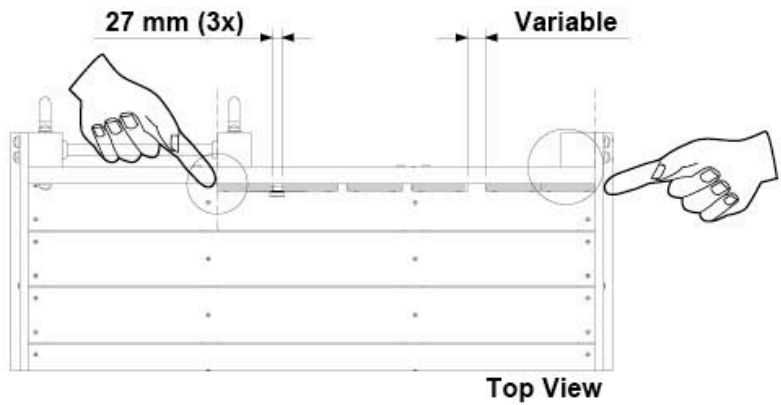
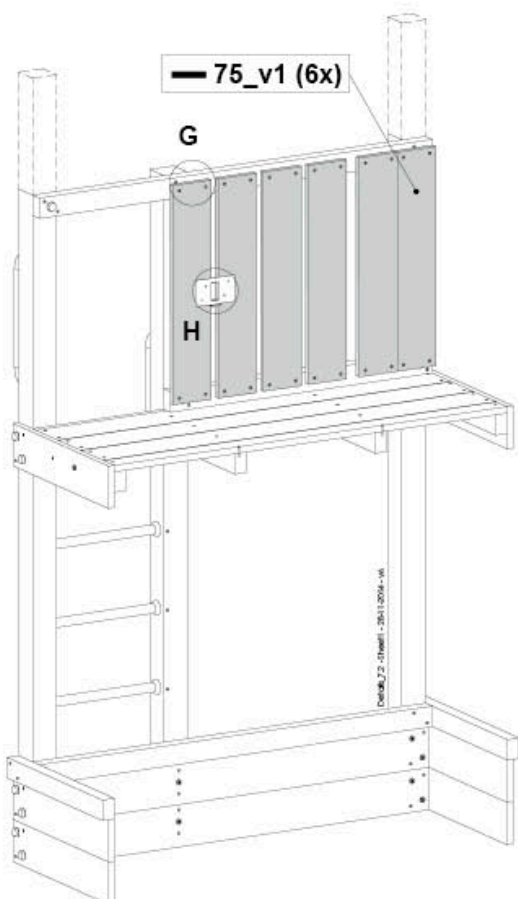
150\_v1



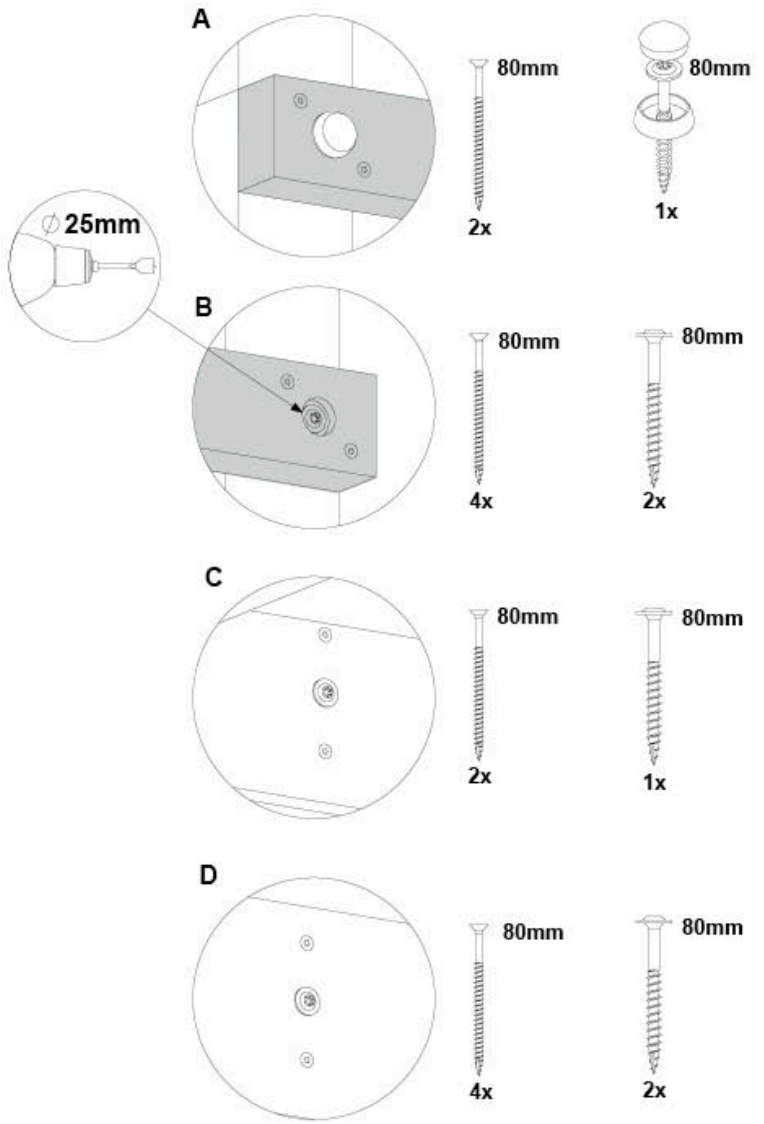
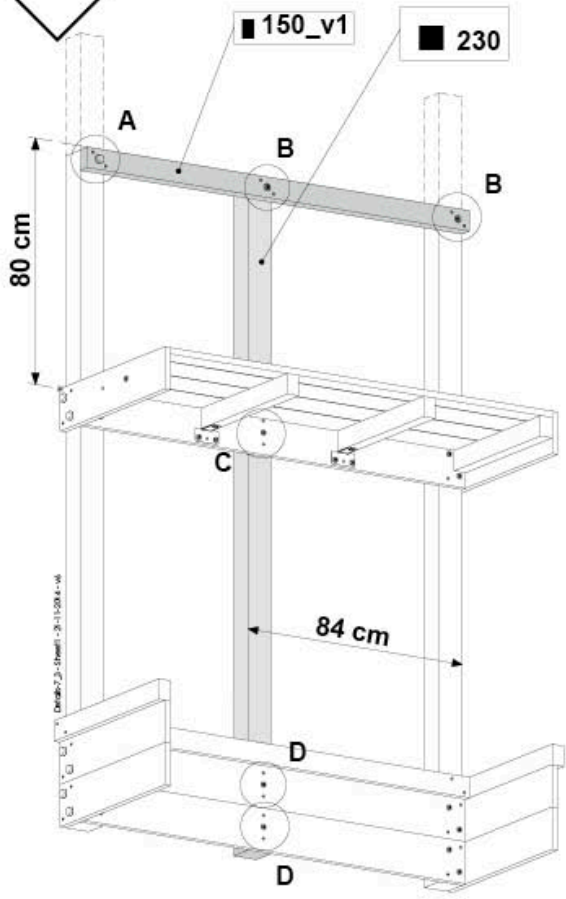
7.2c



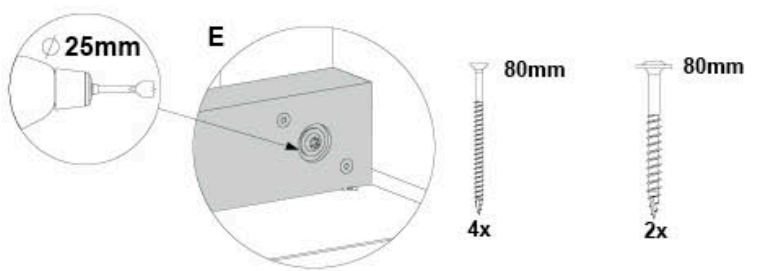
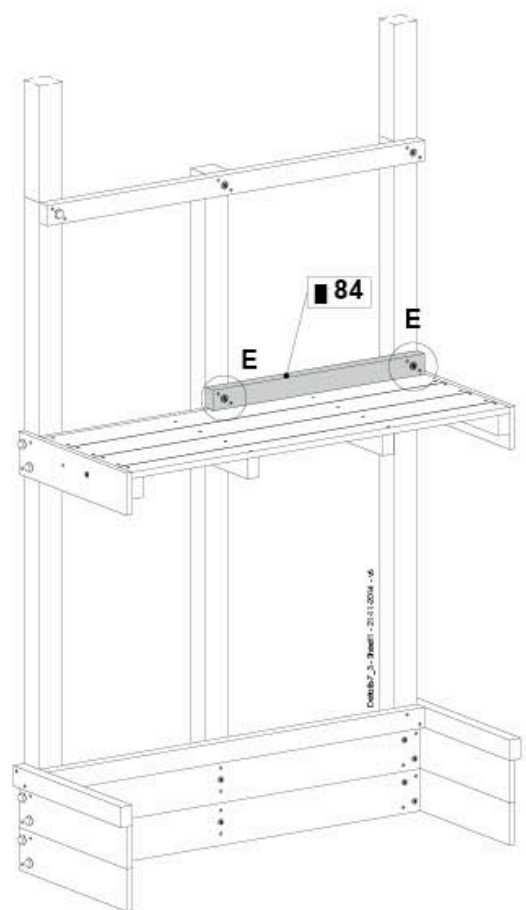
7.2d



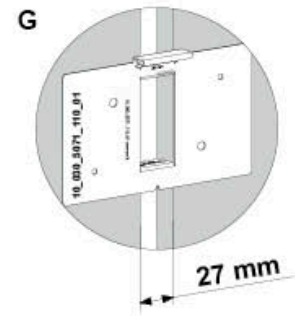
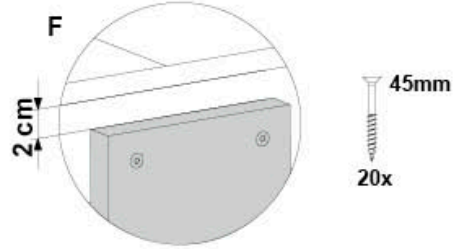
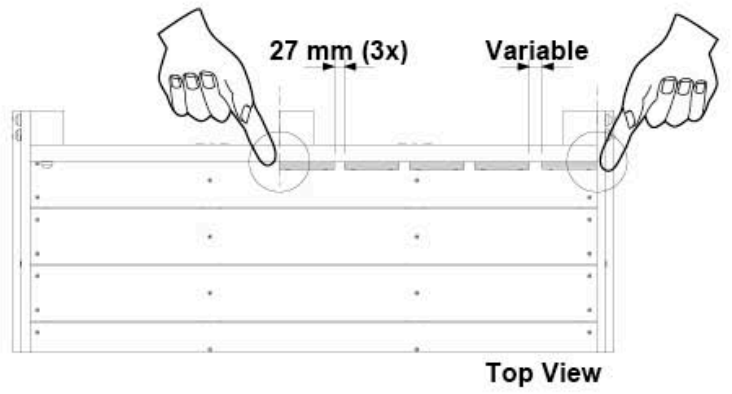
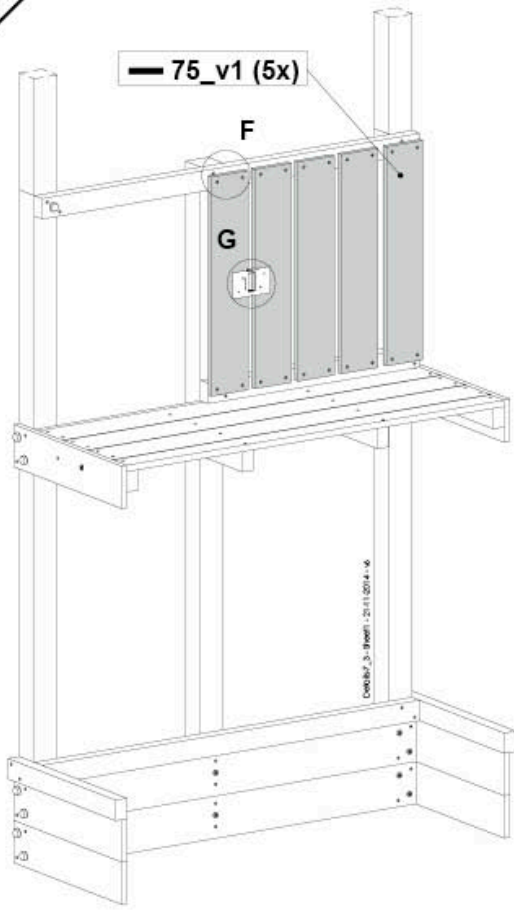
# 7.3a



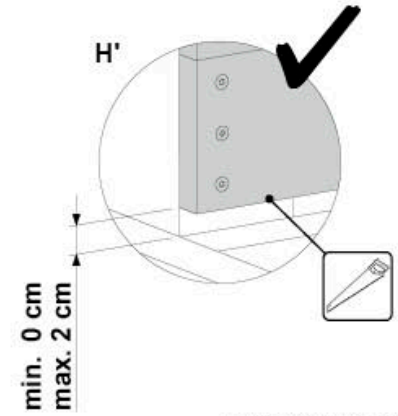
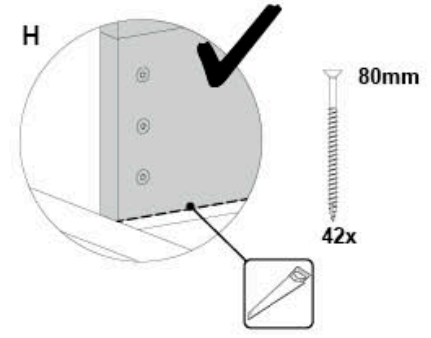
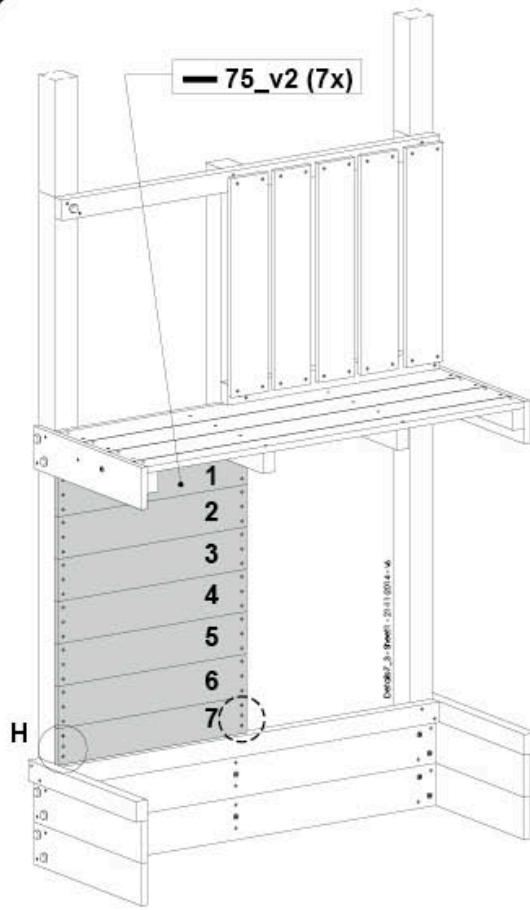
# 7.3b



**7.3c**



**7.3d**



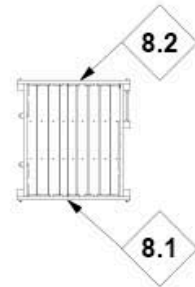


8

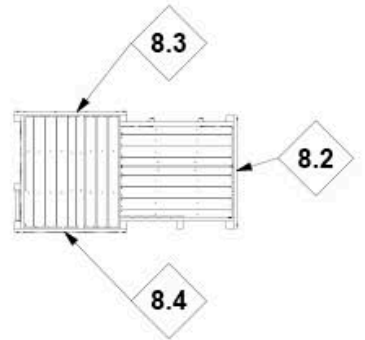
1



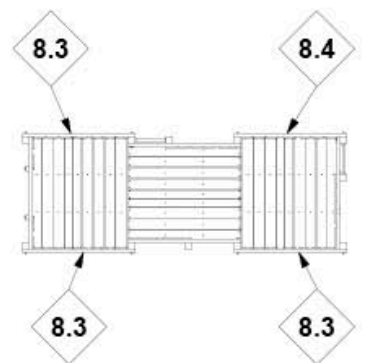
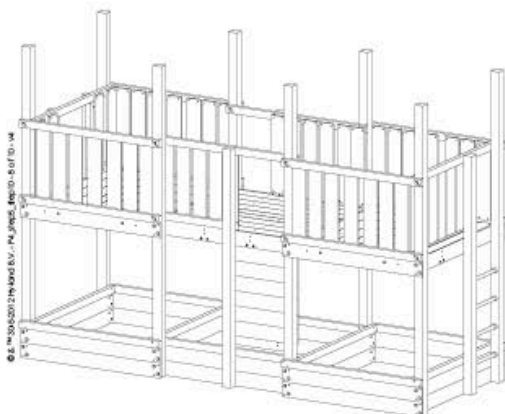
2



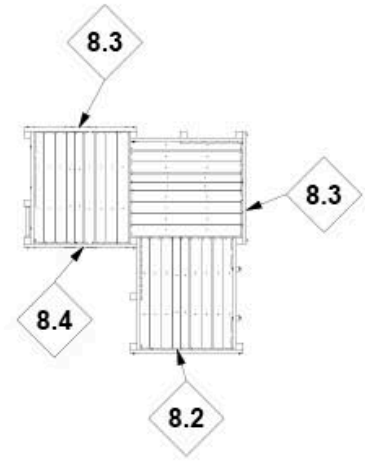
3



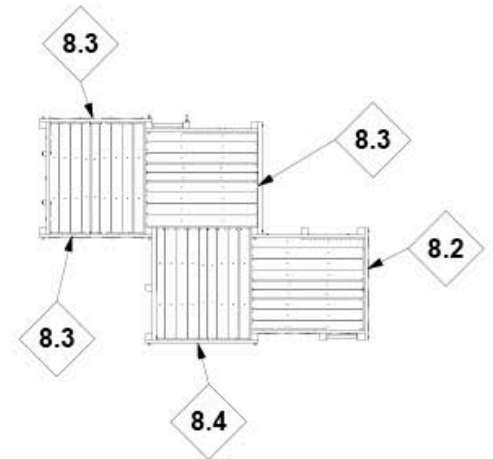
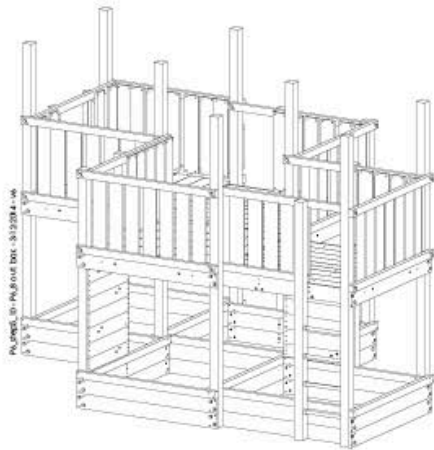
4



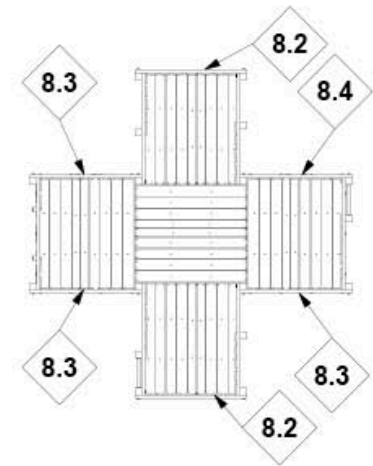
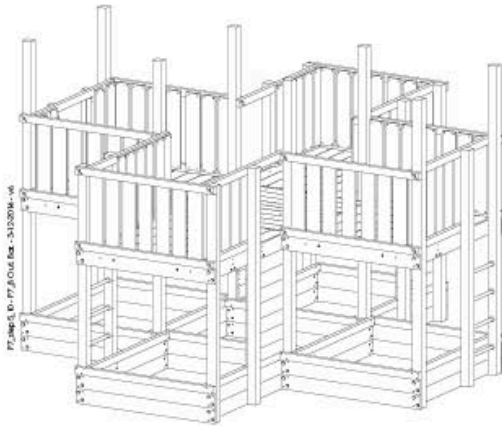
5



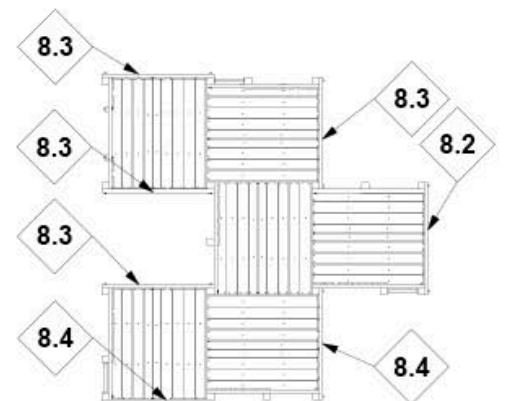
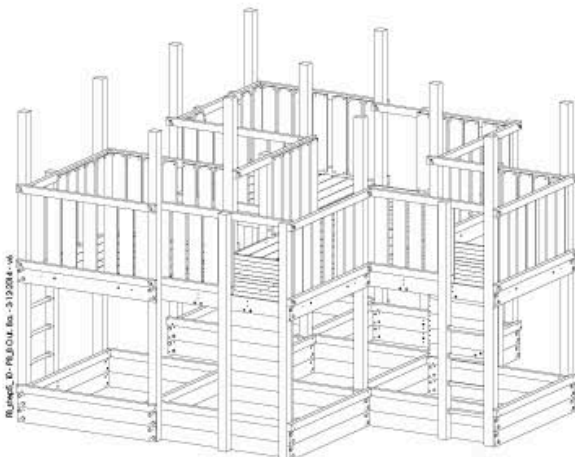
6



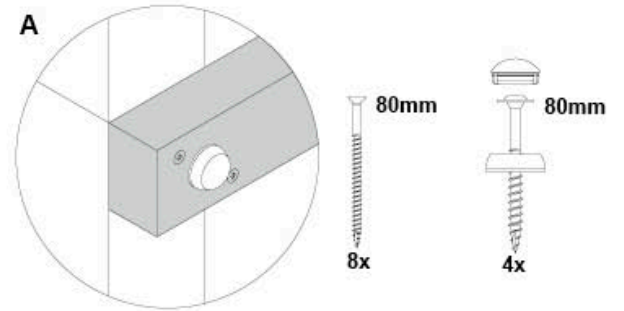
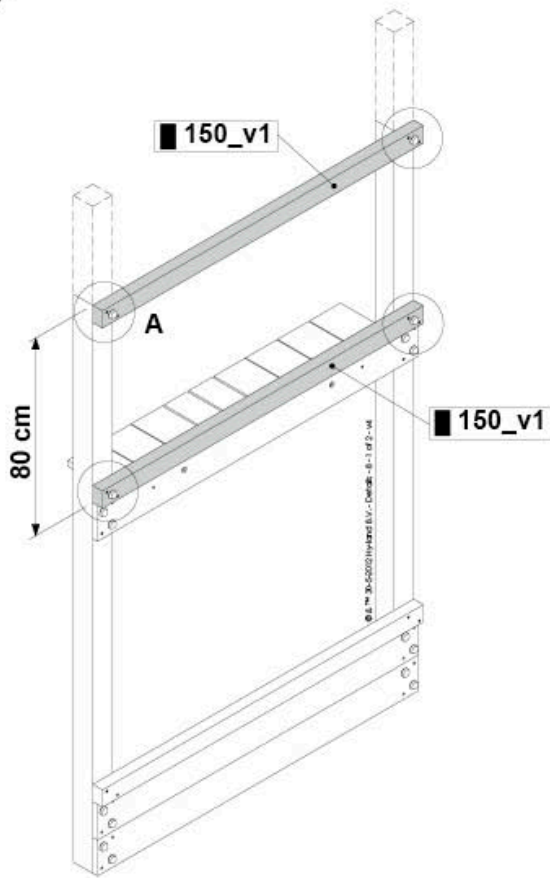
7



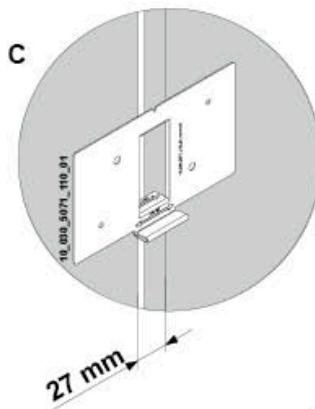
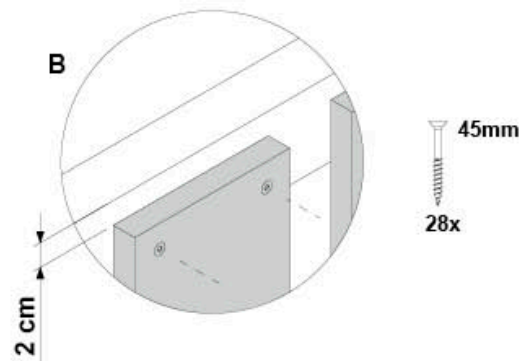
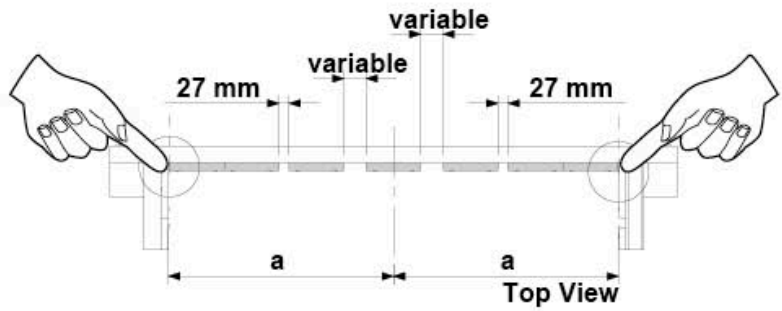
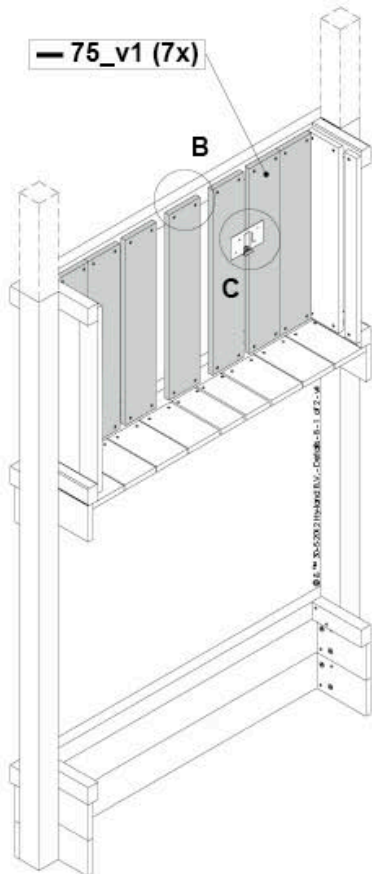
8



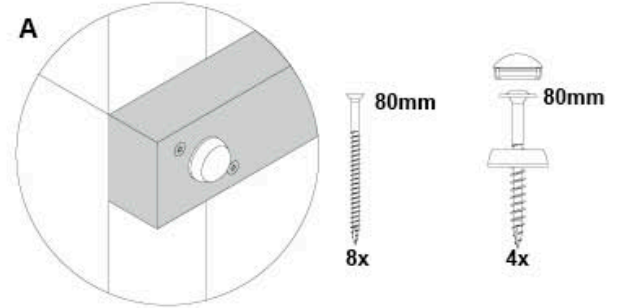
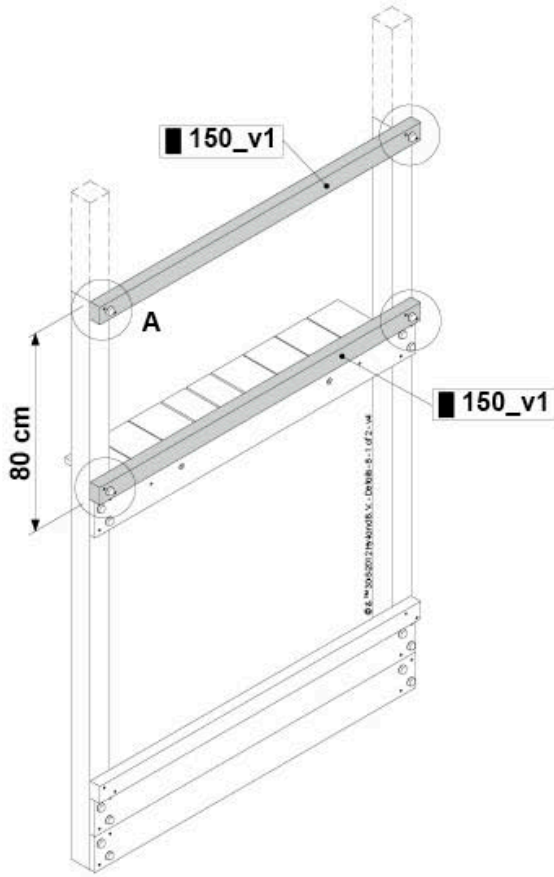
8.1a



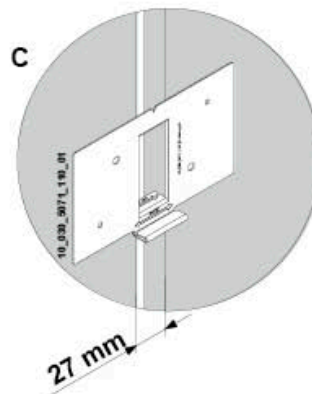
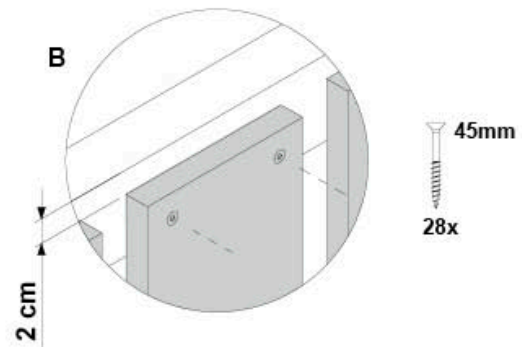
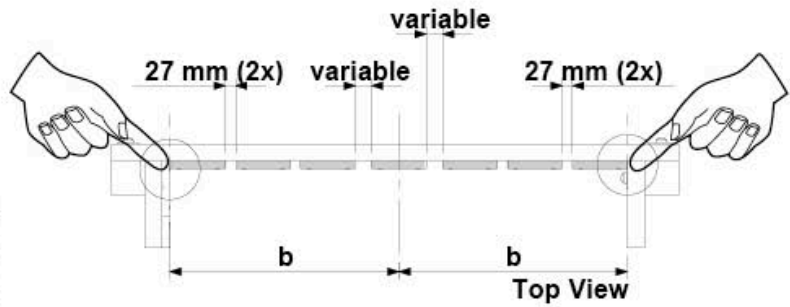
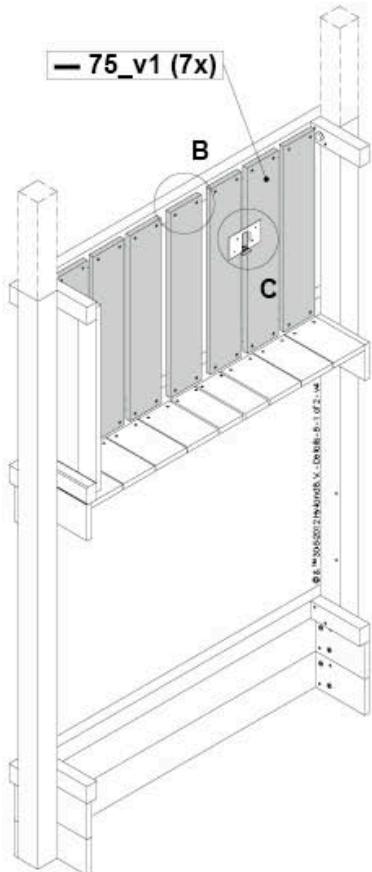
8.1b



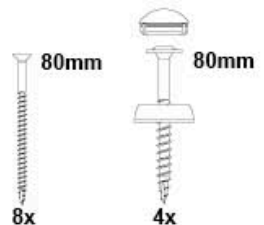
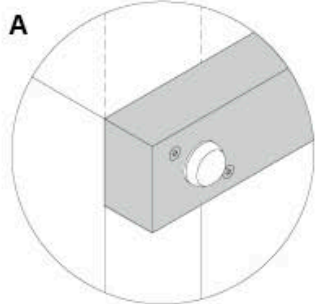
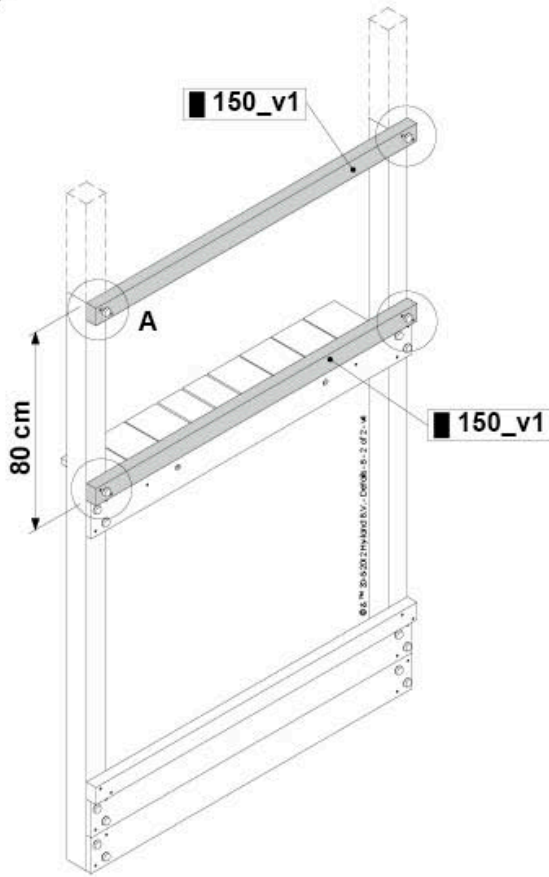
8.2a



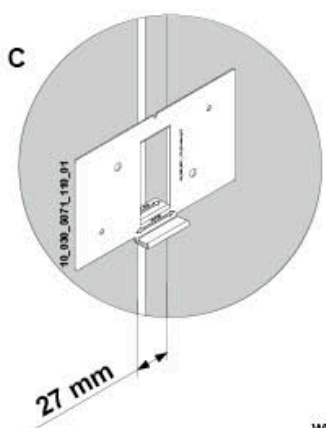
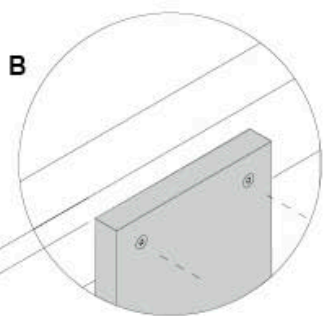
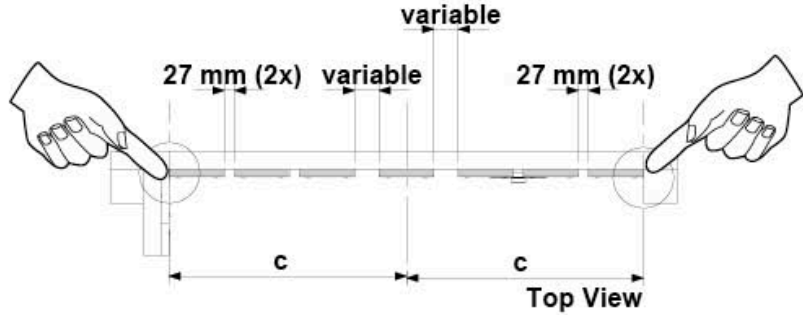
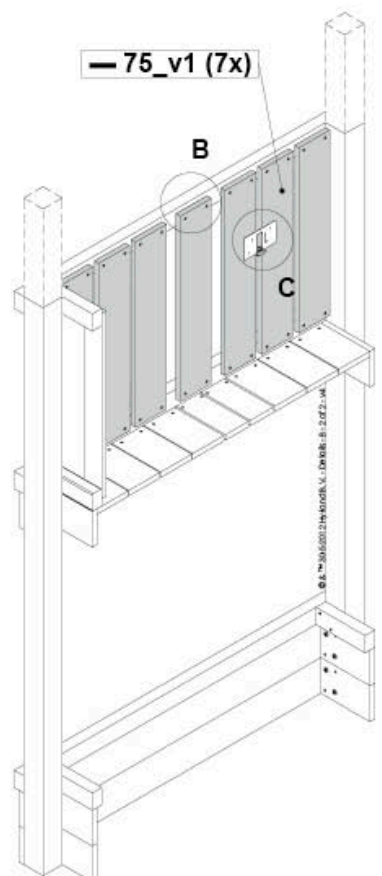
8.2b



8.3a

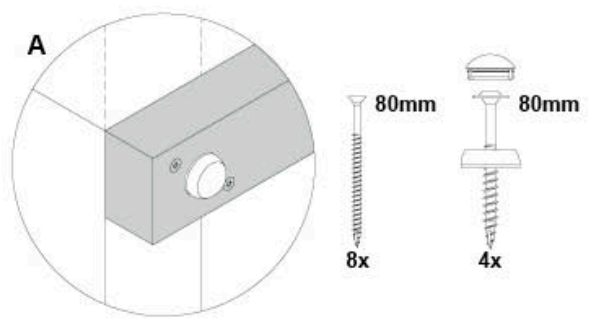
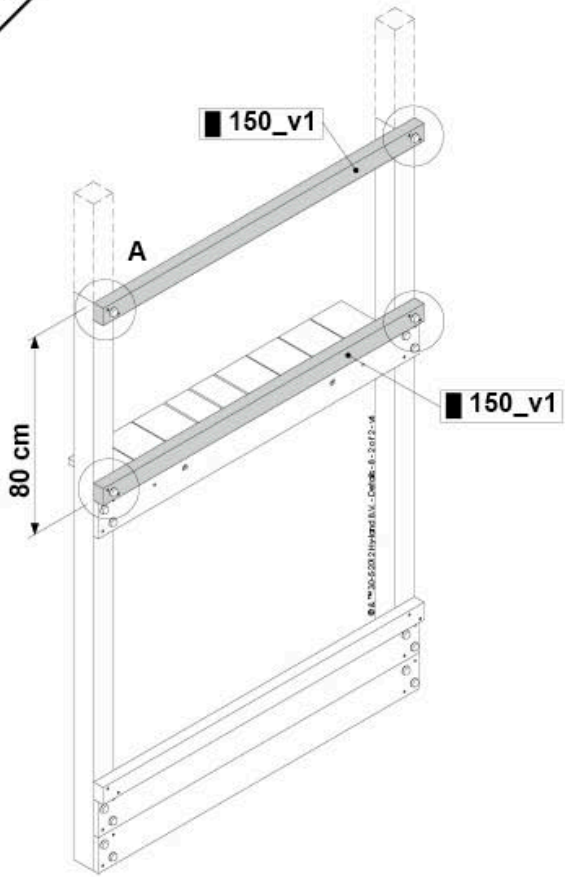


8.3b

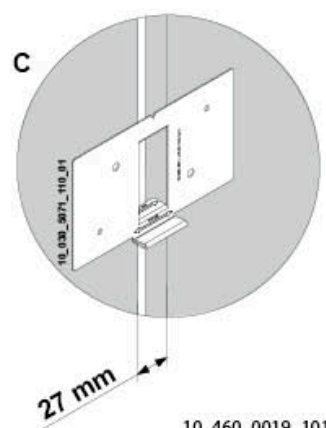
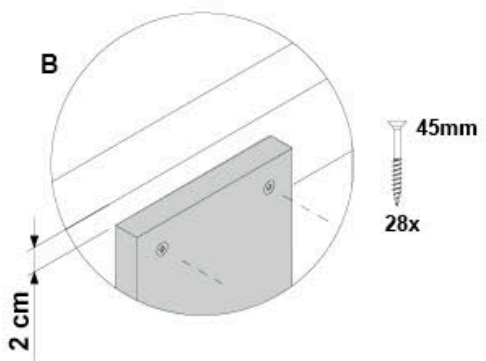
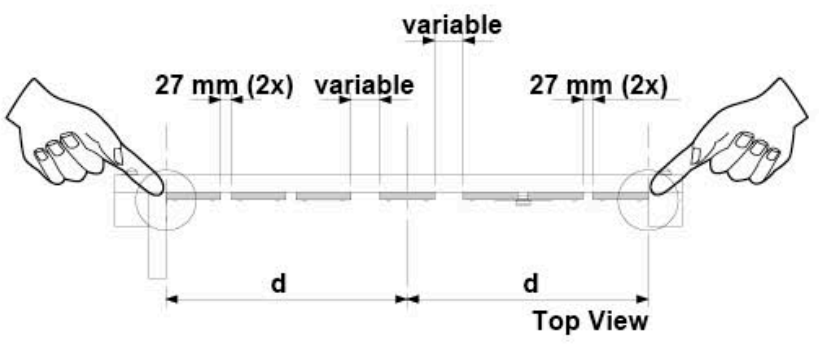
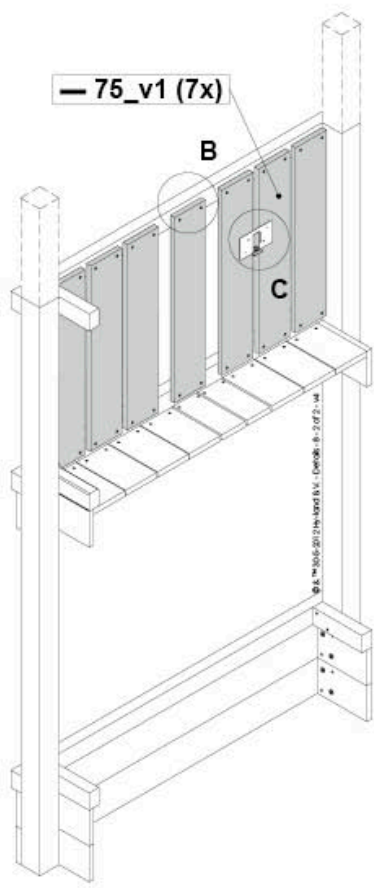




**8.4a**

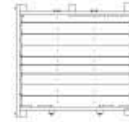


**8.4b**

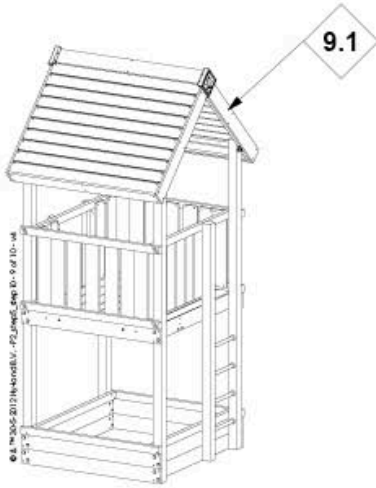


9

1



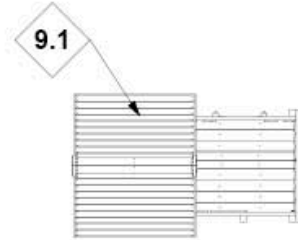
2



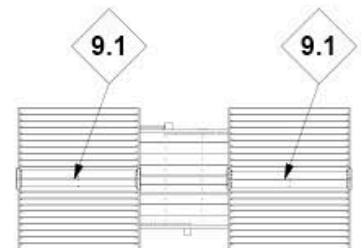
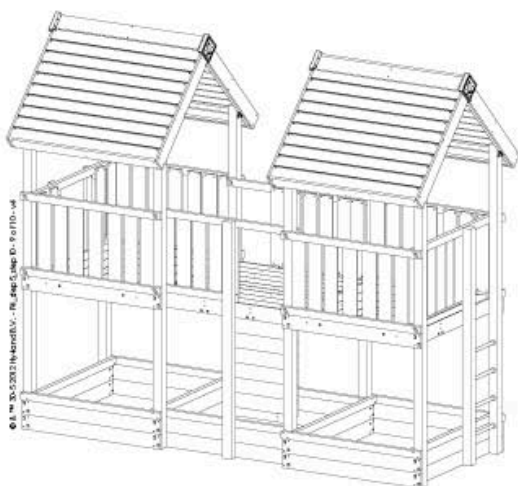
9.1



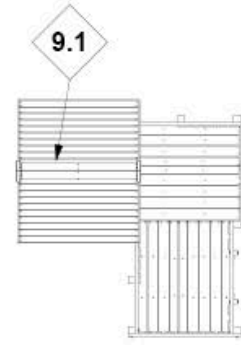
3



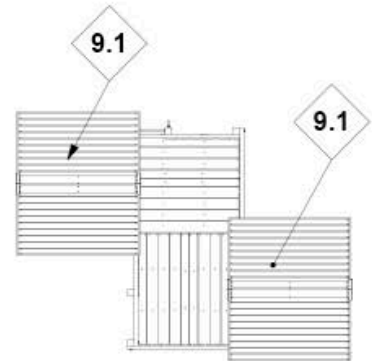
4



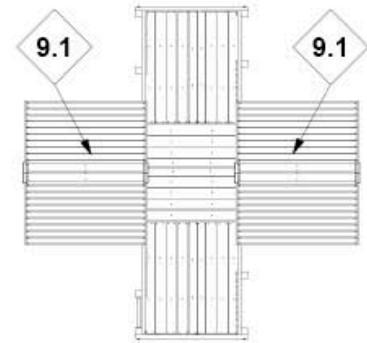
5



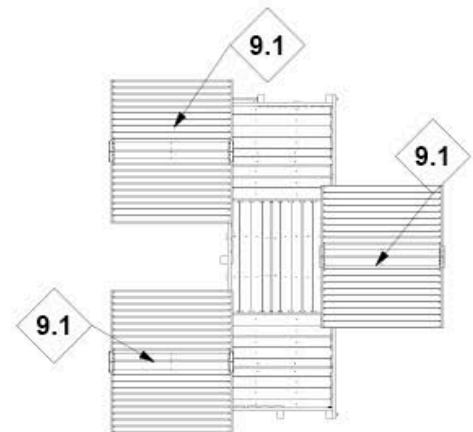
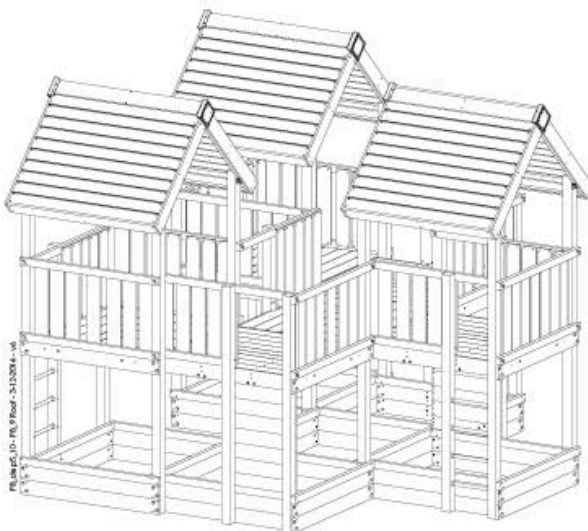
6



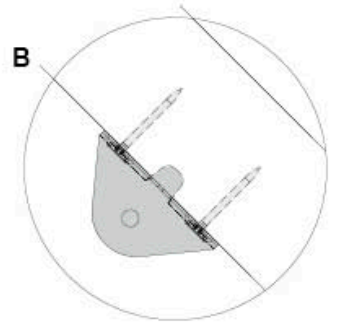
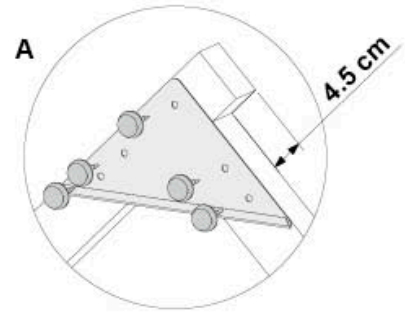
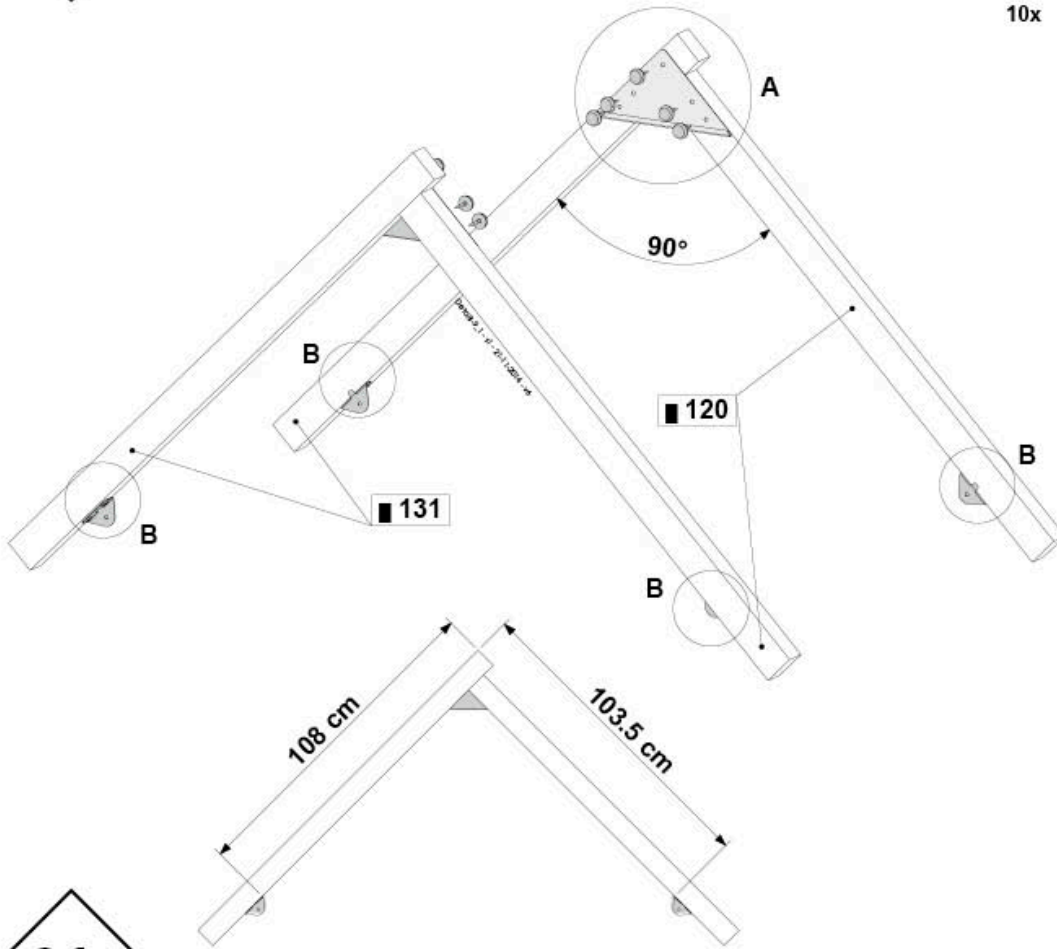
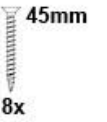
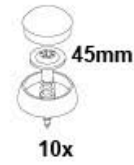
7



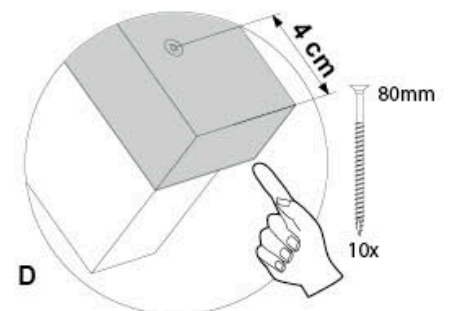
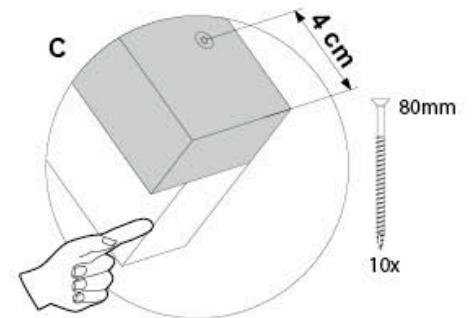
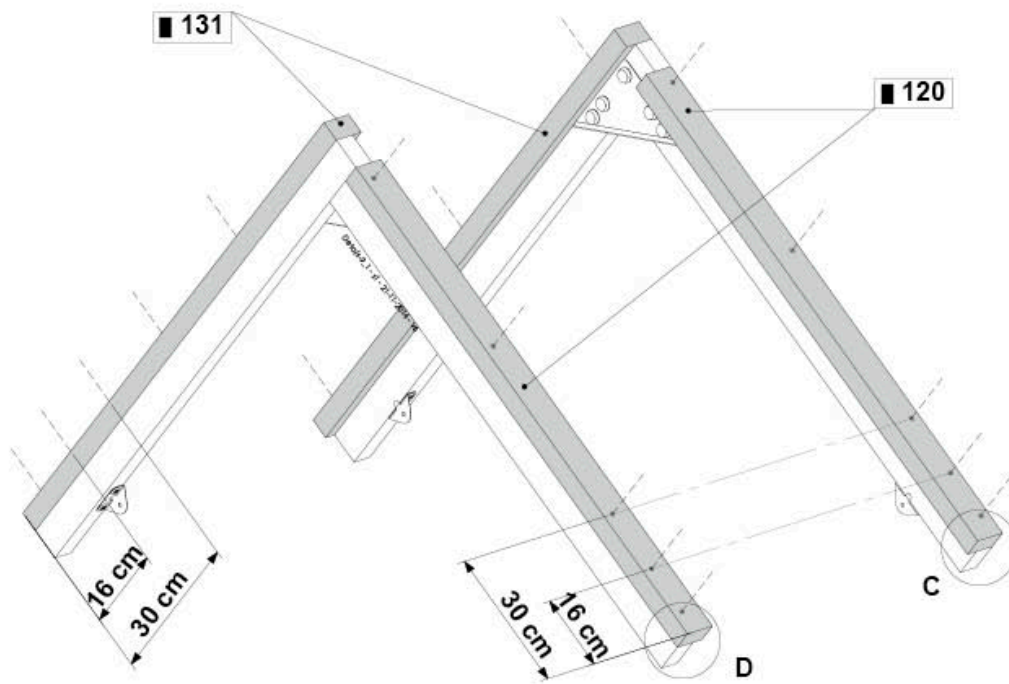
8



**9.1a**

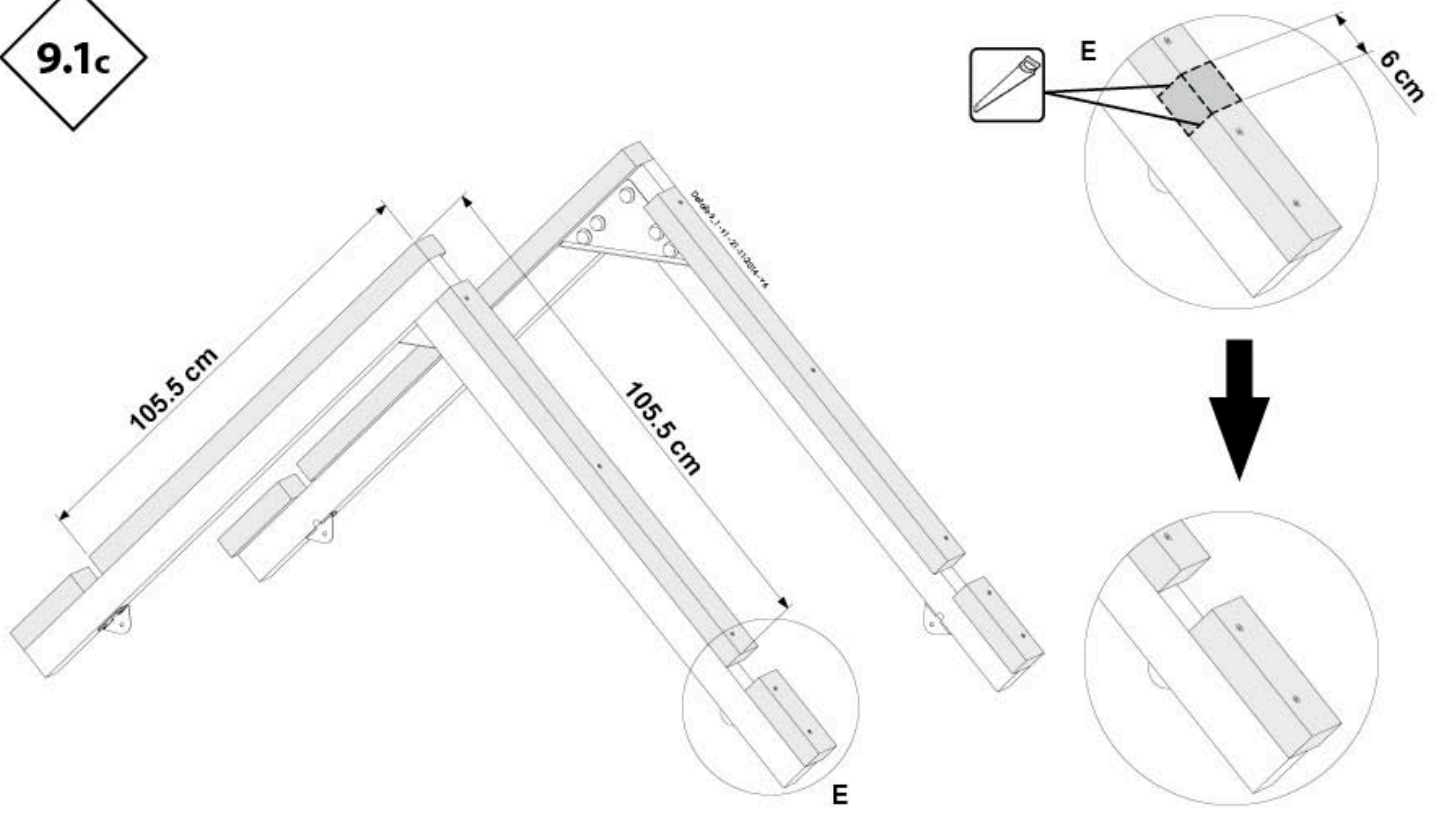


**9.1b**

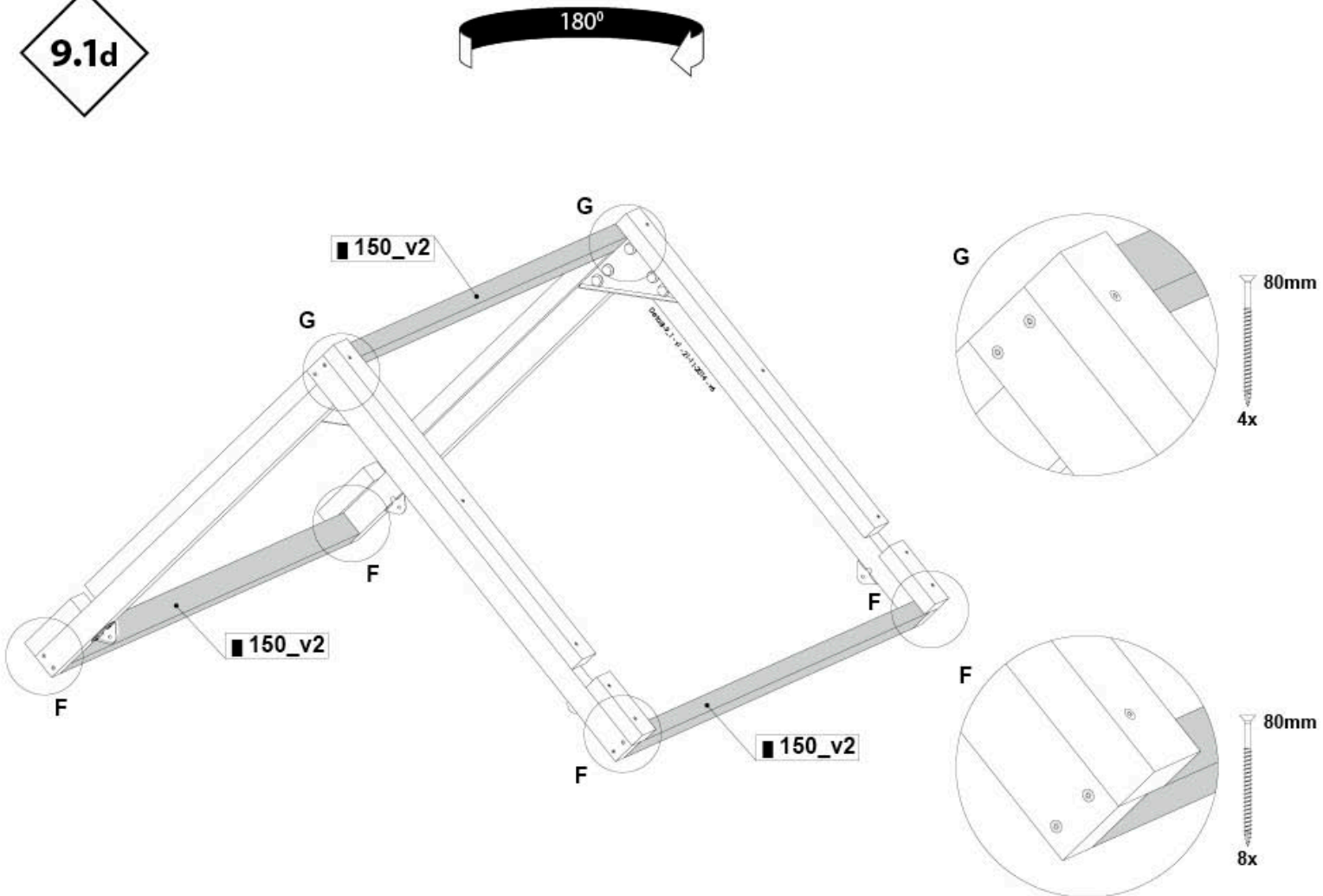




9.1c

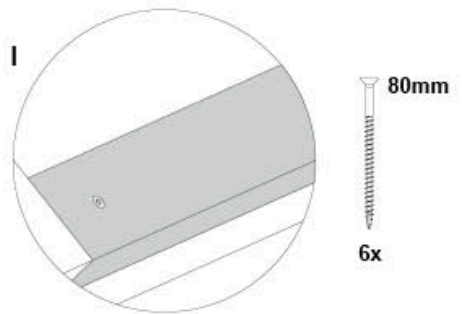
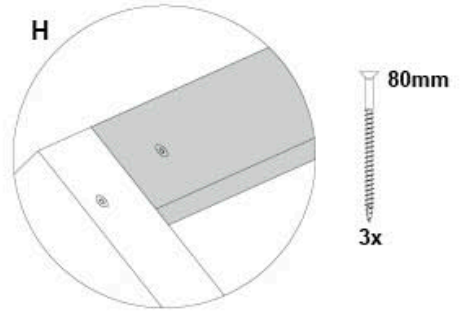
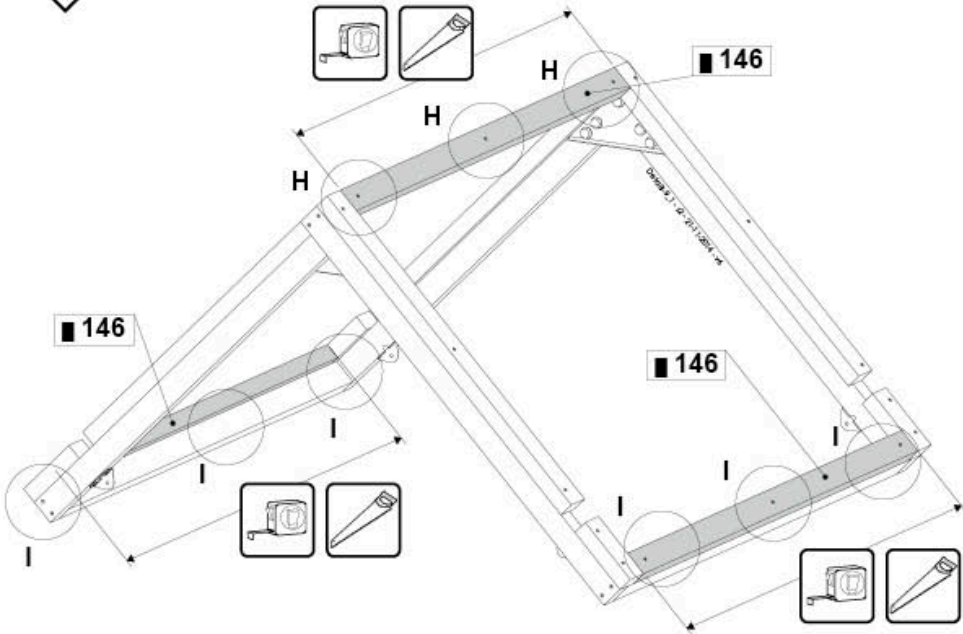


9.1d

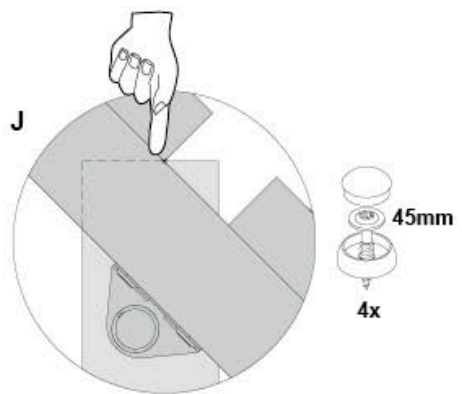
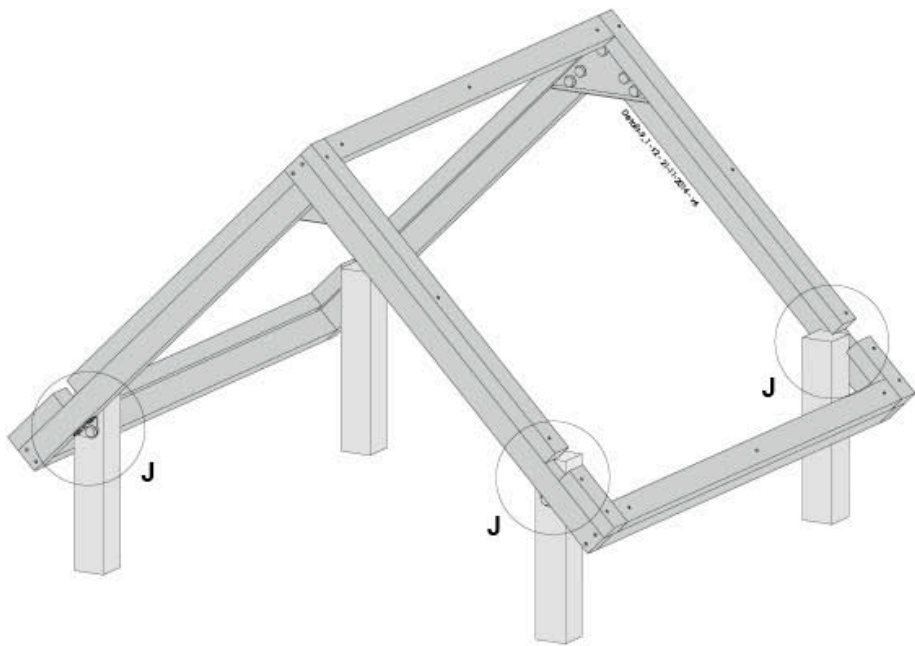




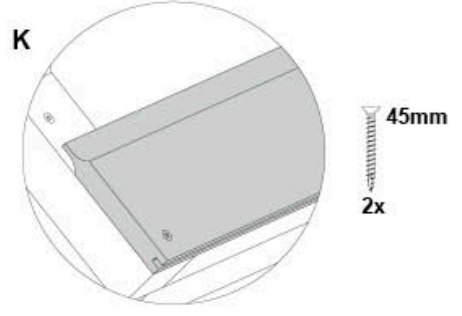
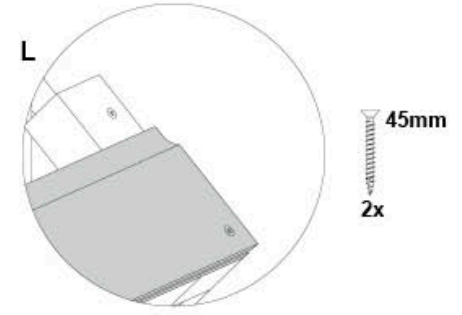
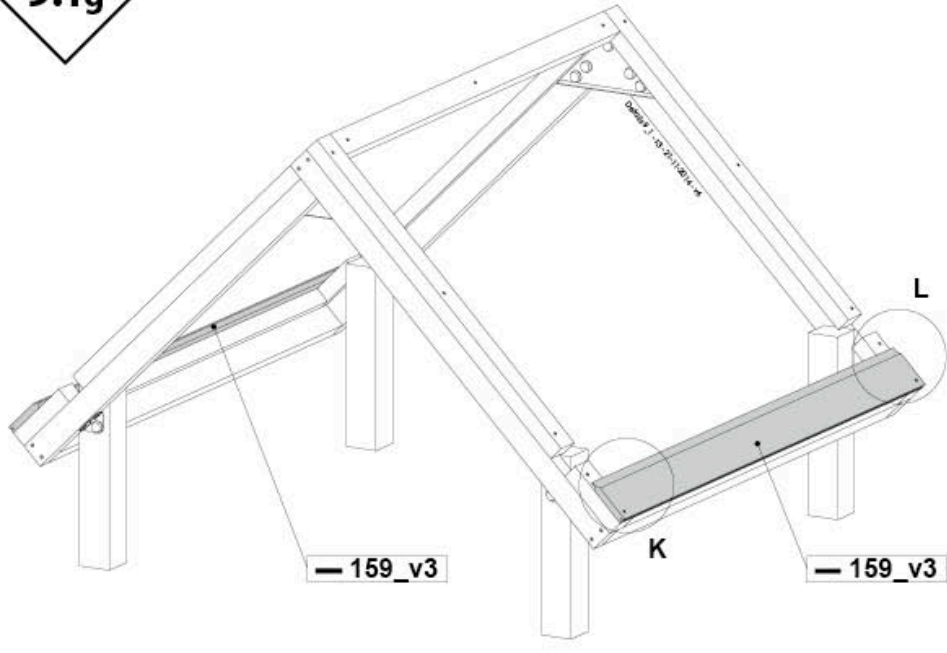
**9.1e**



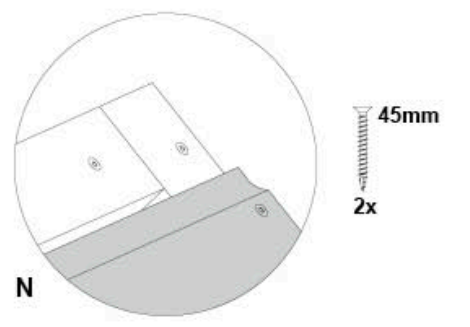
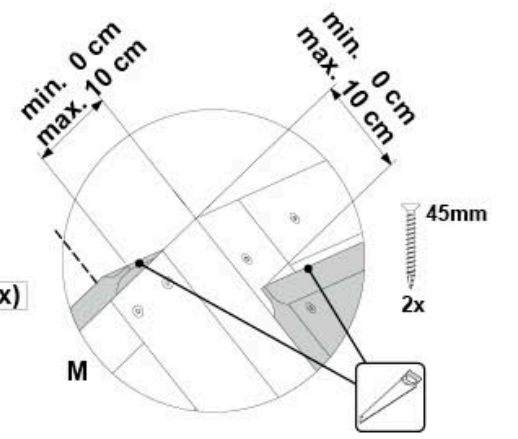
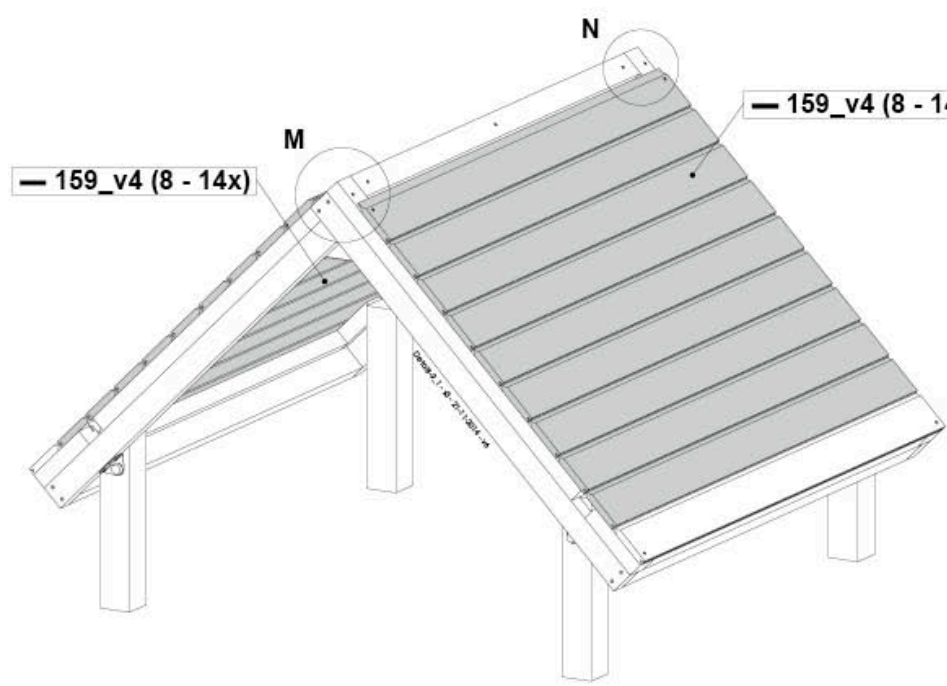
**9.1f**



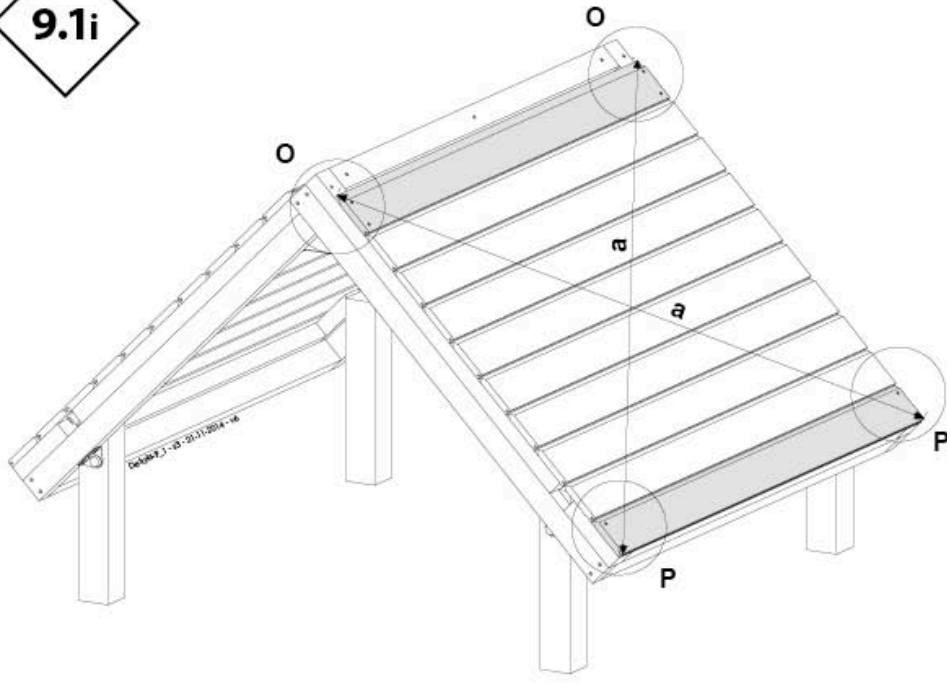
**9.1g**



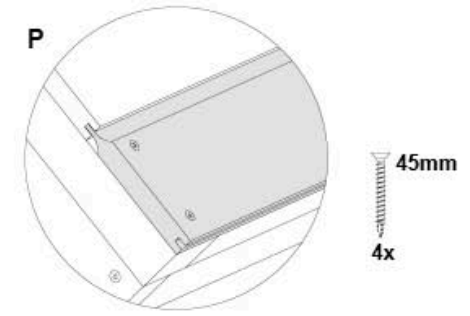
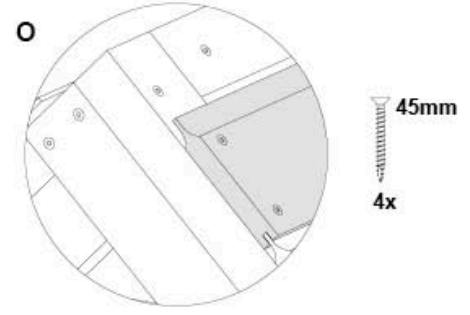
**9.1h**



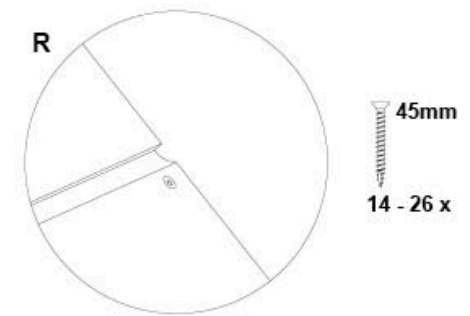
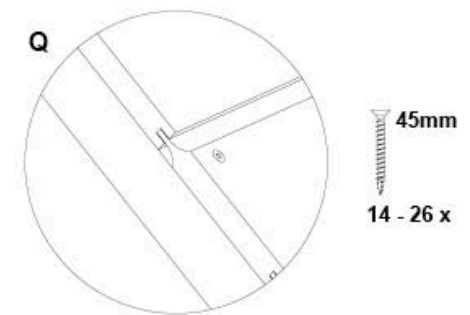
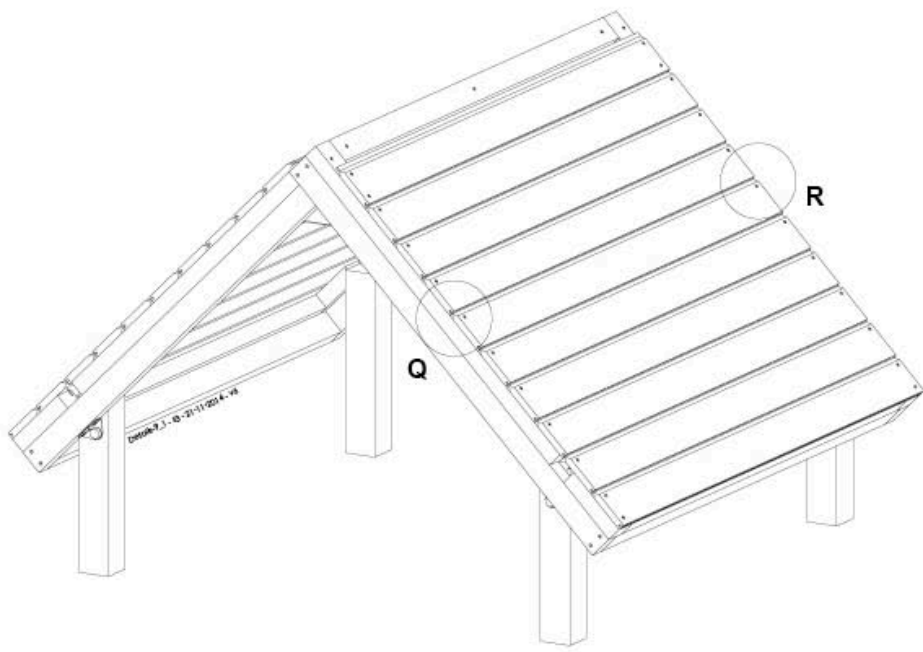
**9.1i**



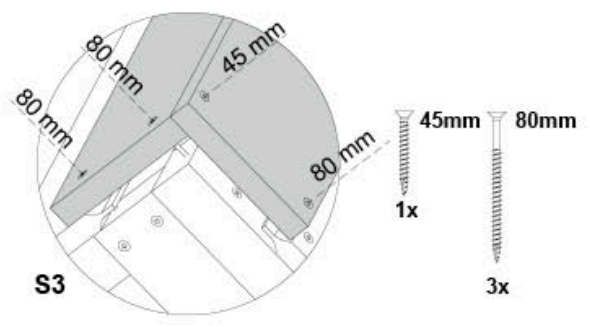
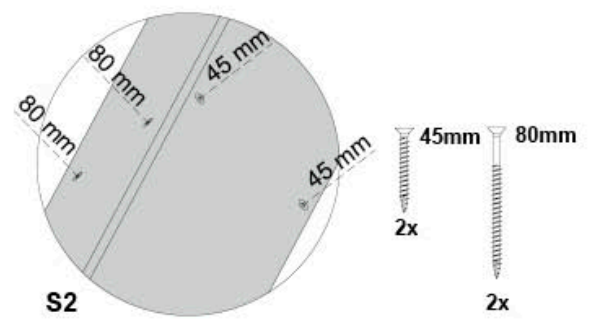
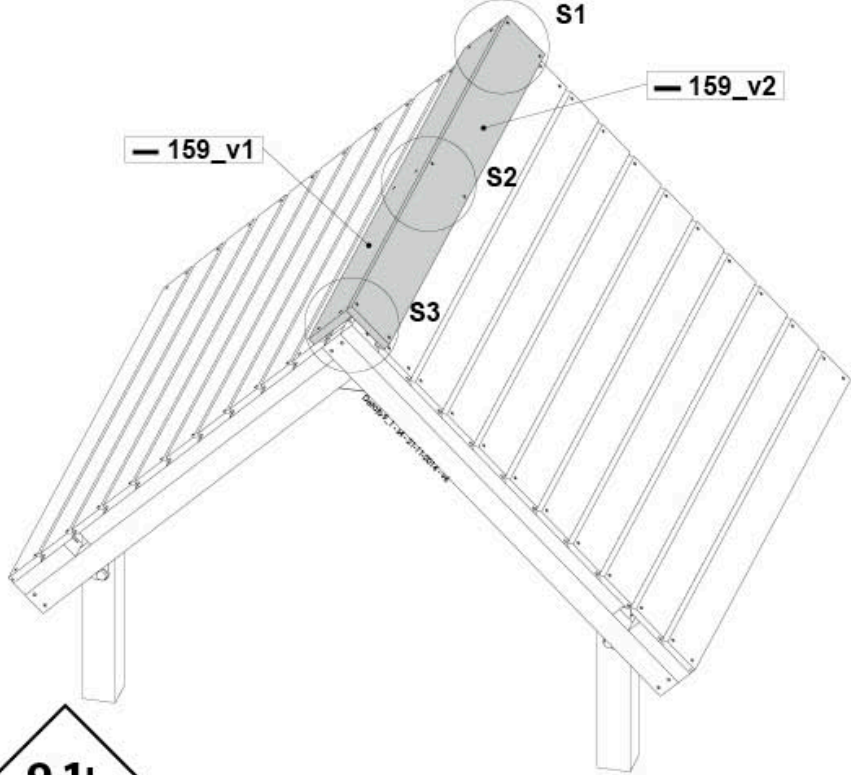
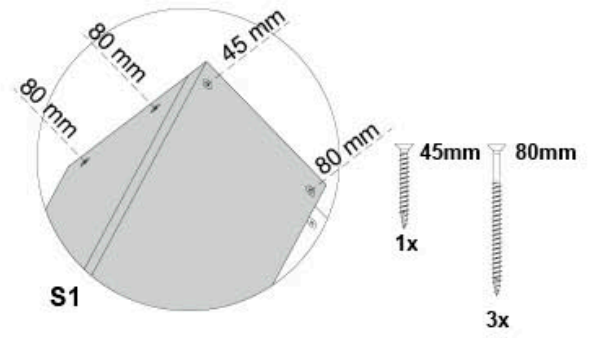
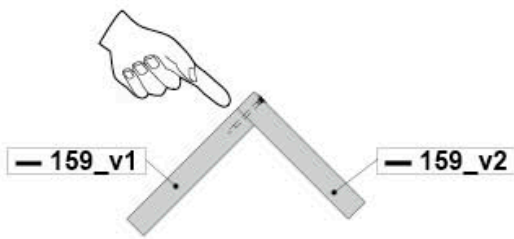
**a = a**



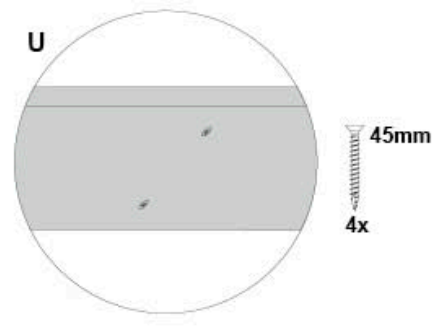
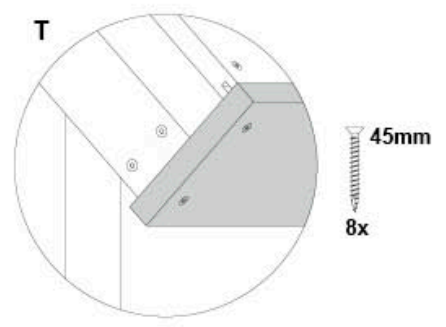
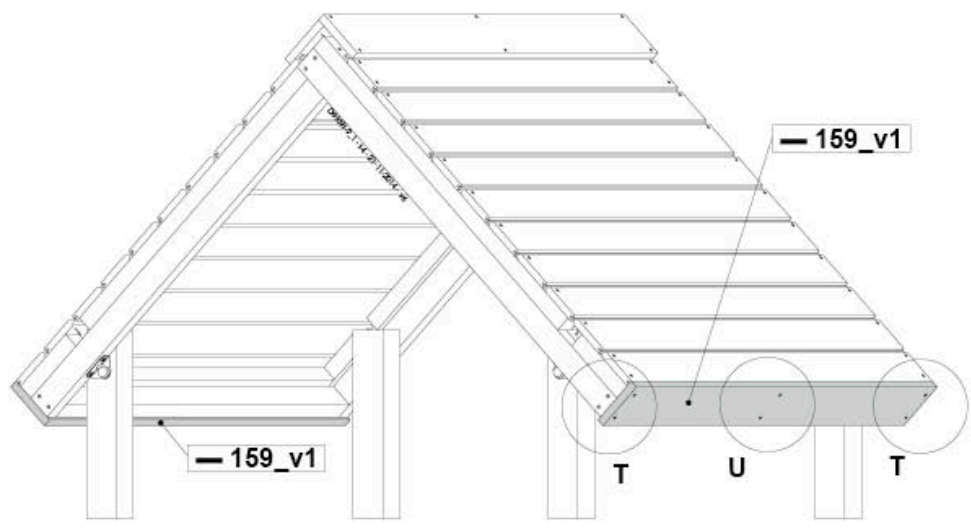
**9.1j**



**9.1k**

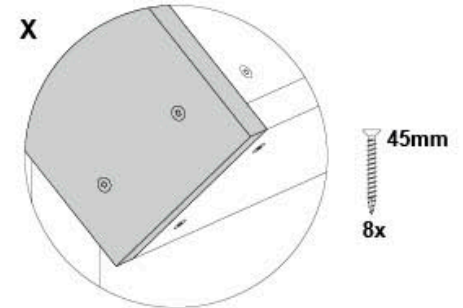
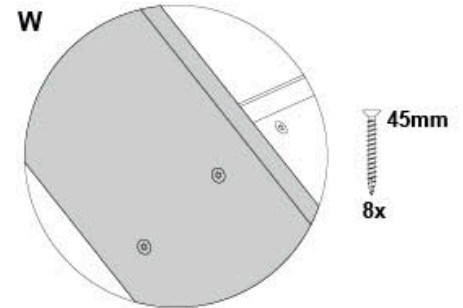
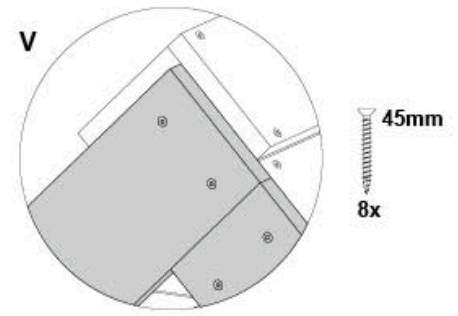
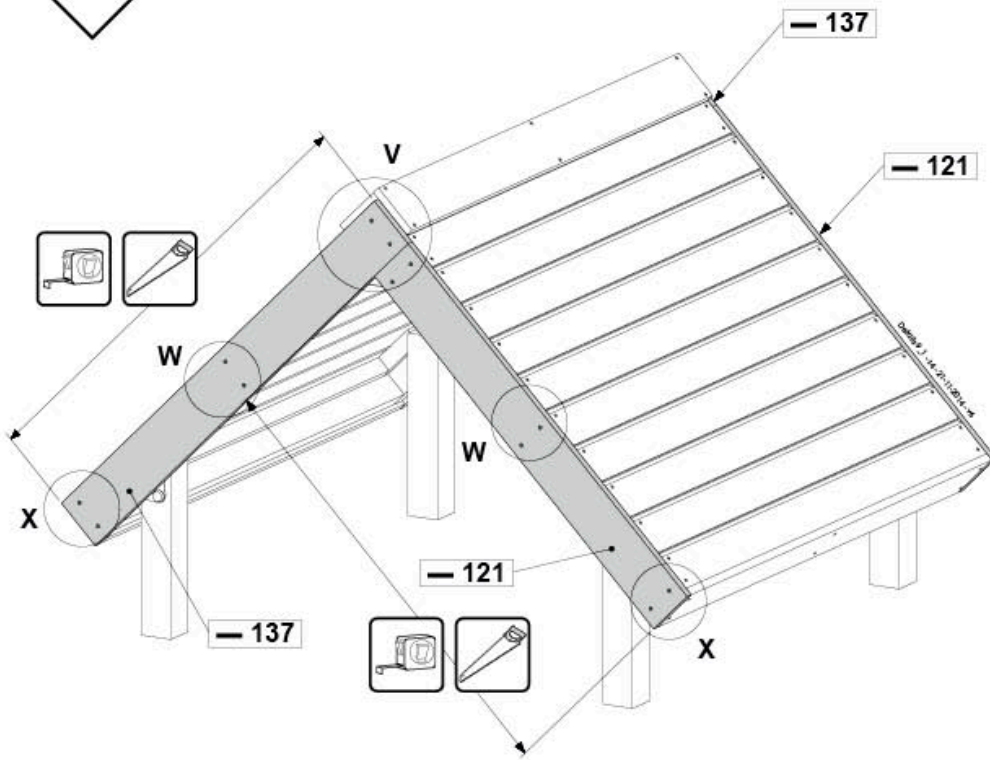


**9.1L**

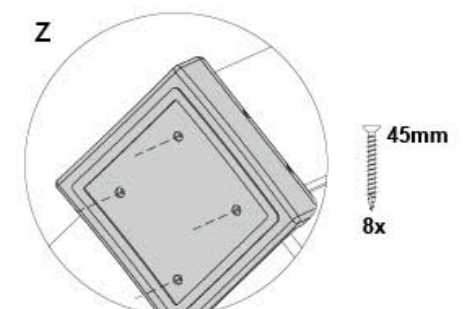
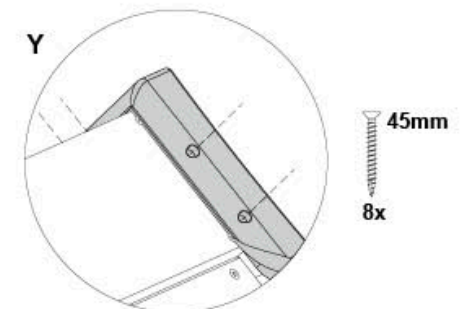
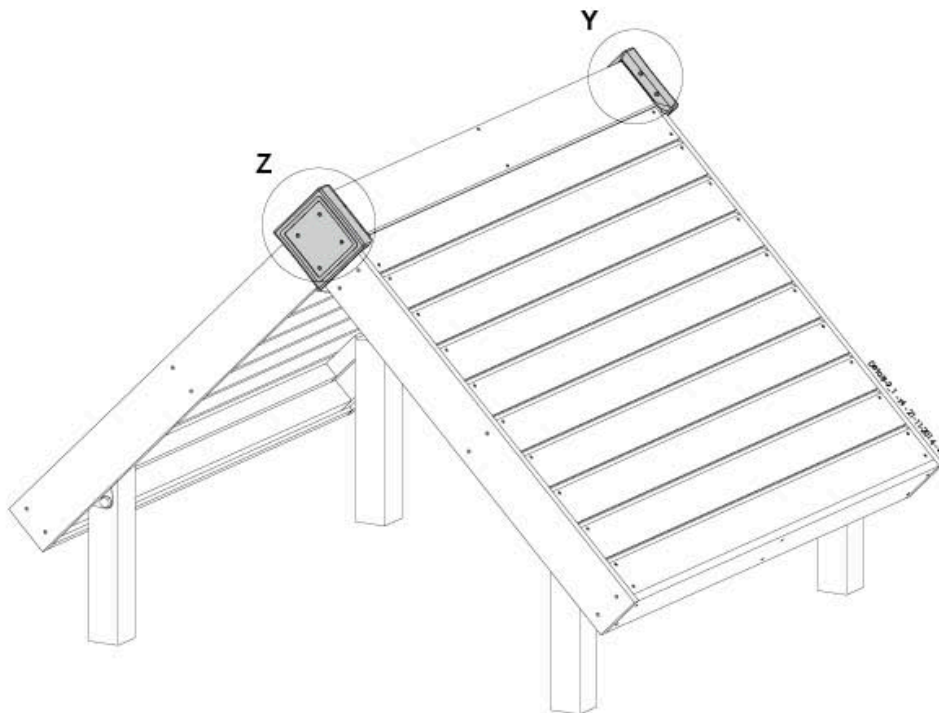




**9.1m**



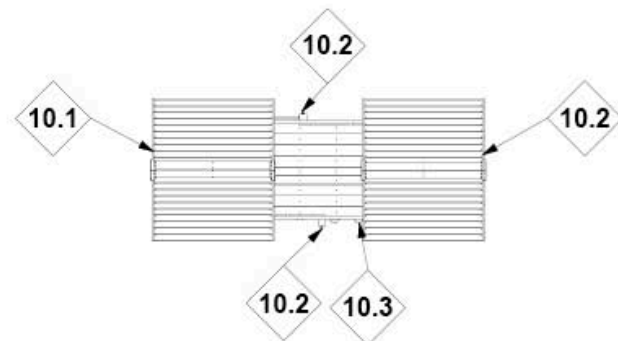
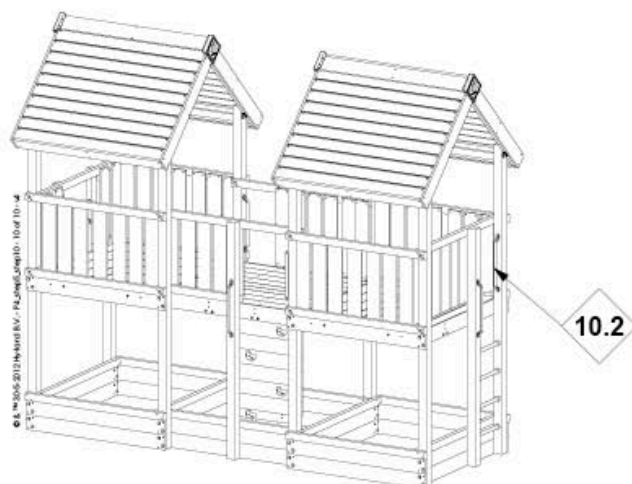
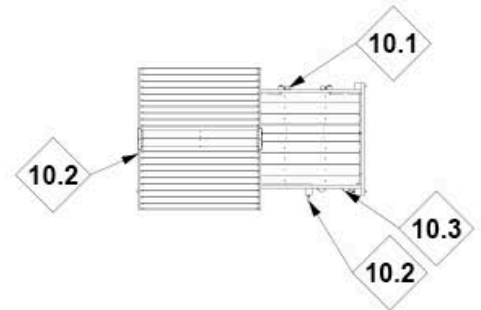
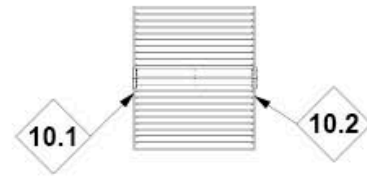
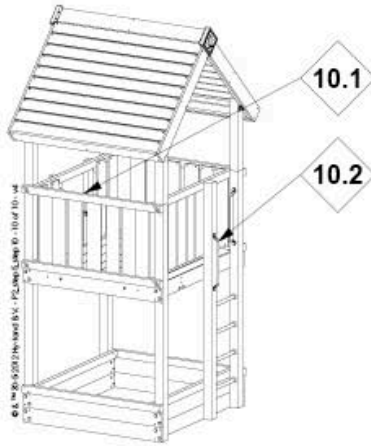
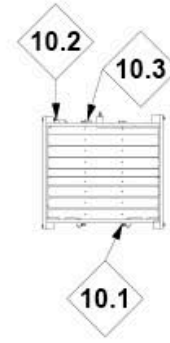
**9.1n**



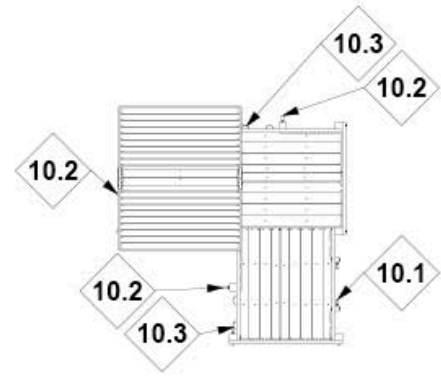




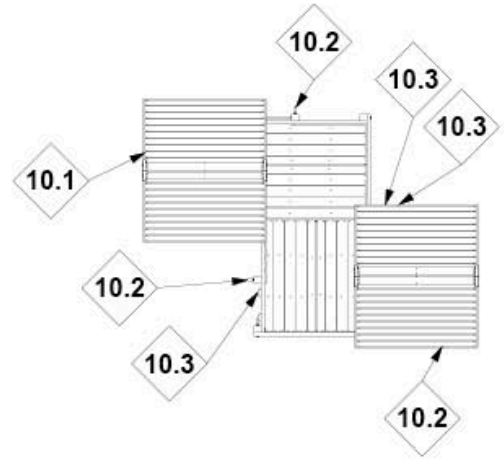
# 10



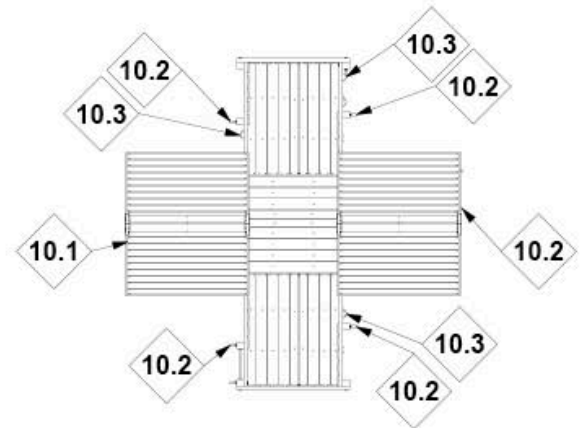
5



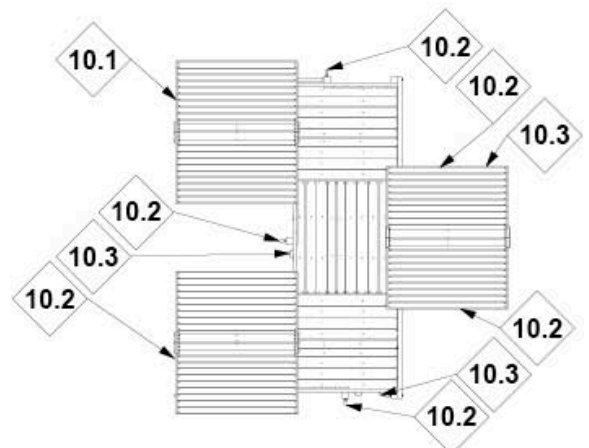
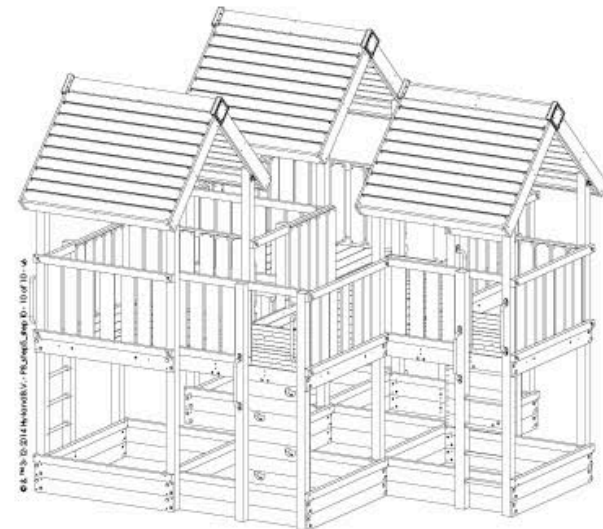
6



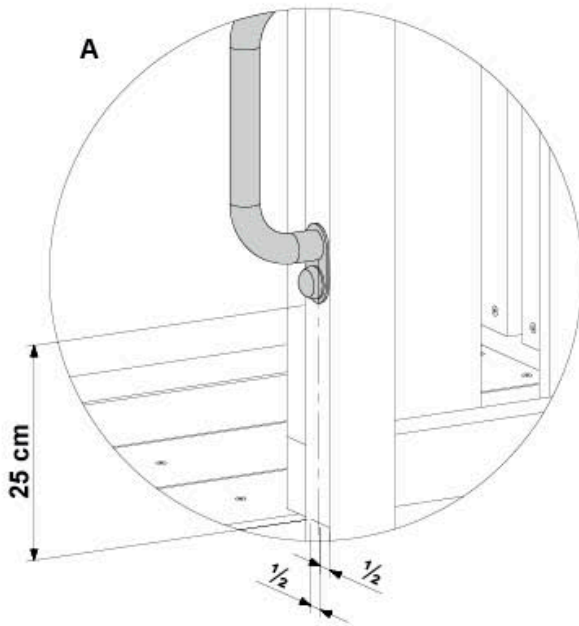
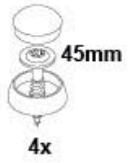
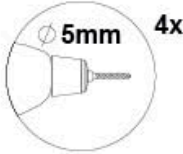
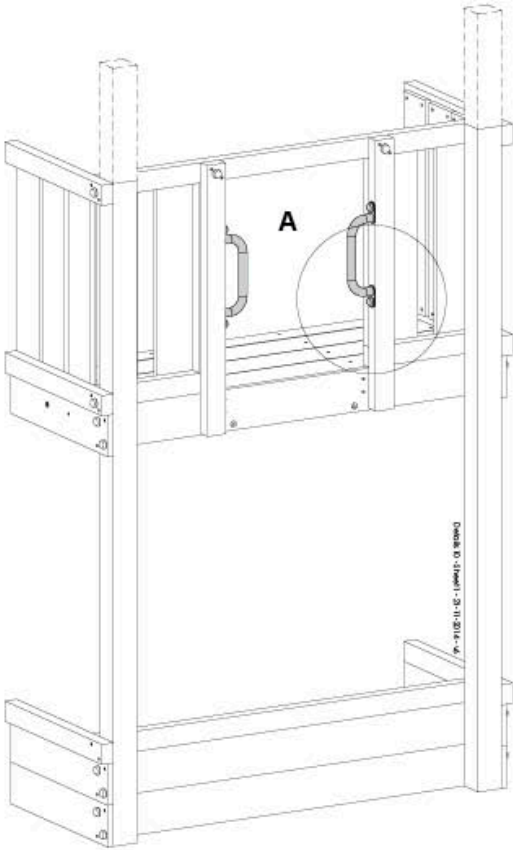
7



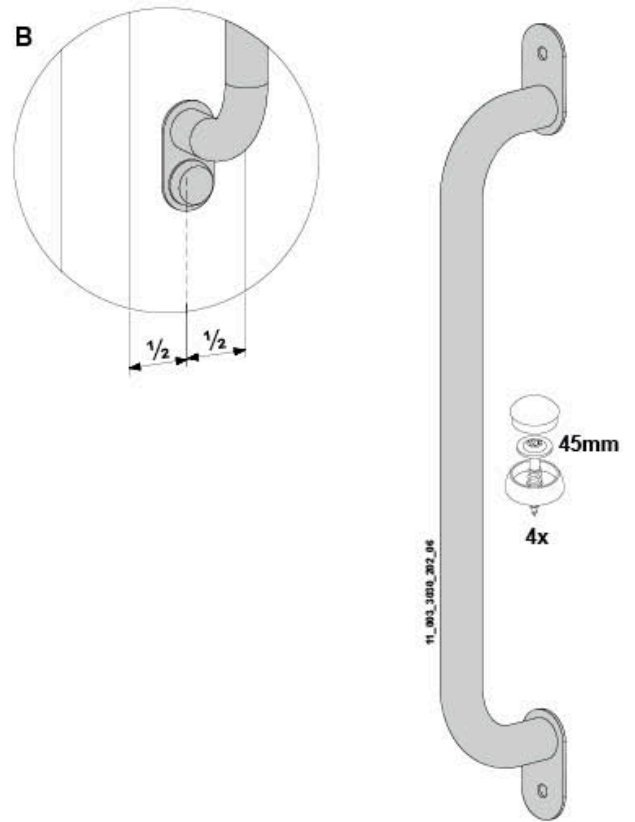
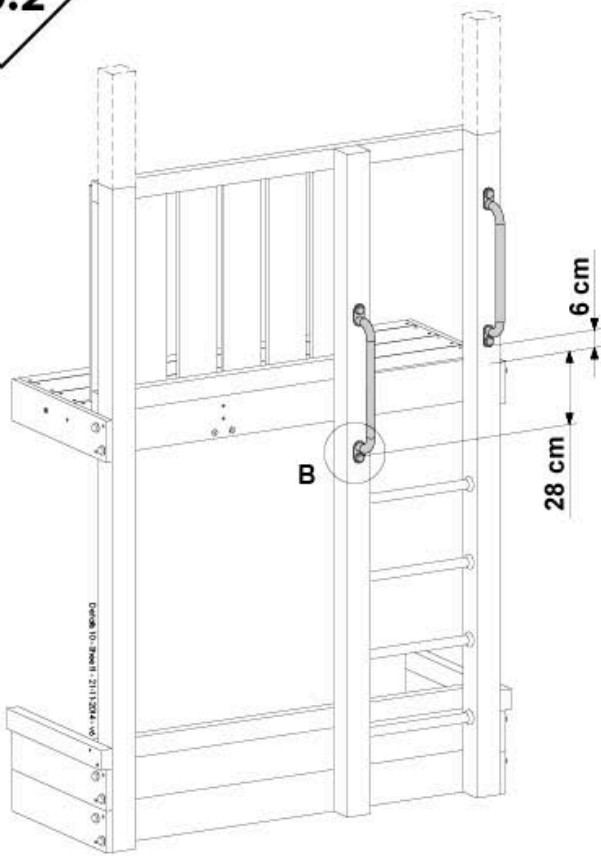
8



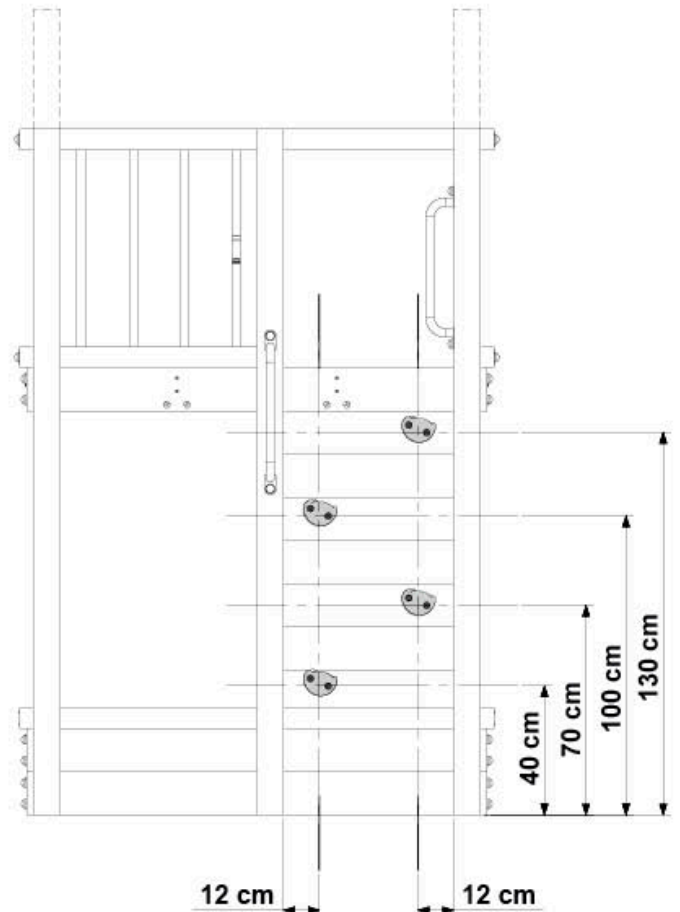
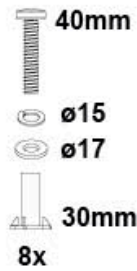
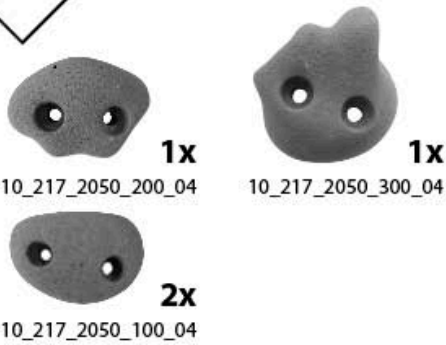
10.1



**10.2**

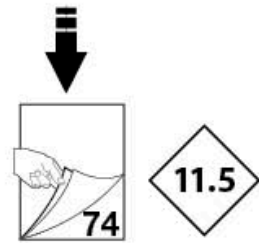
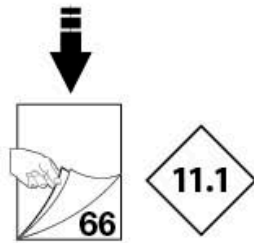
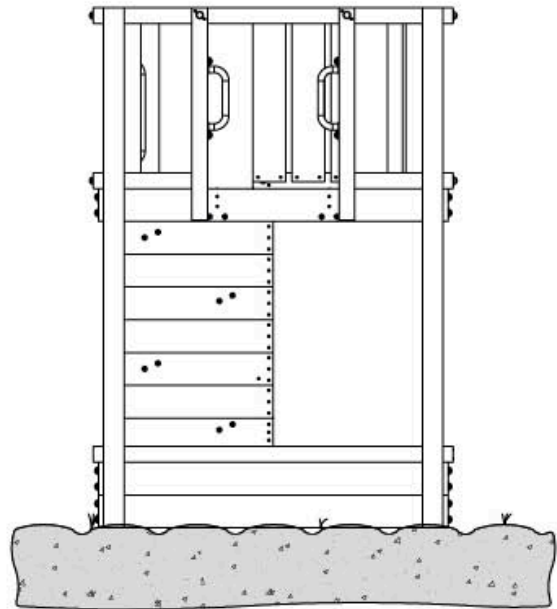
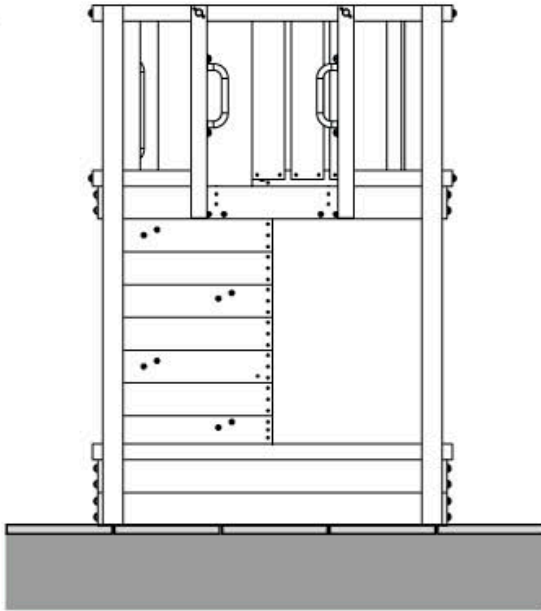


**10.3**





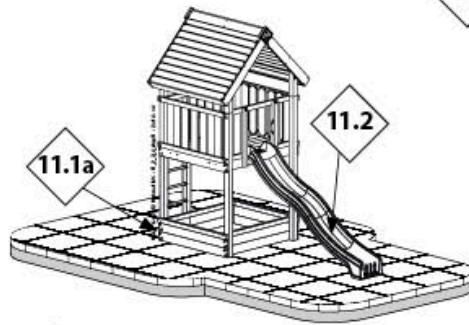
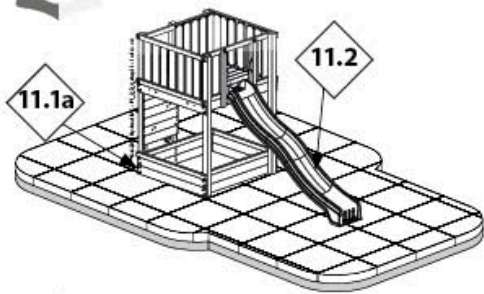
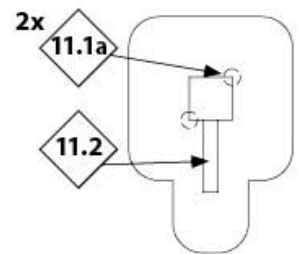
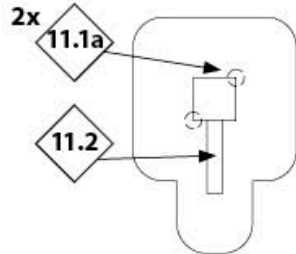
11



11.1

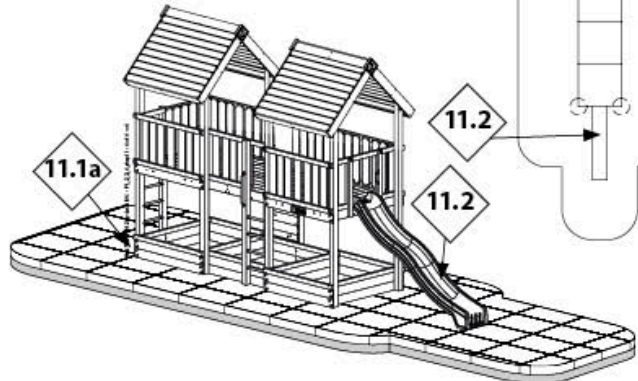
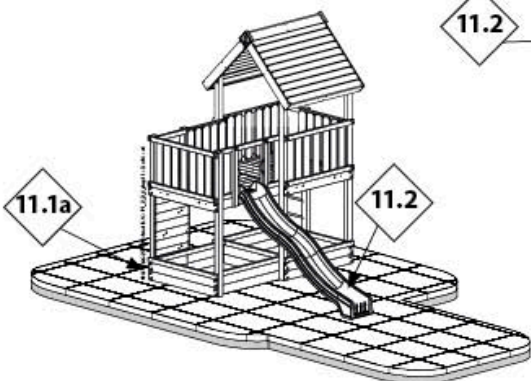
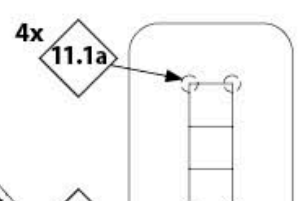
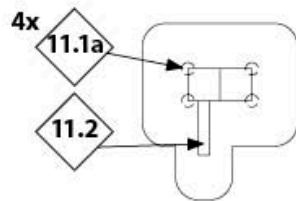
P2

P1



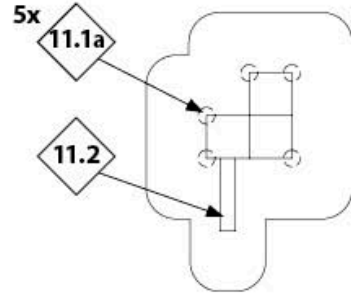
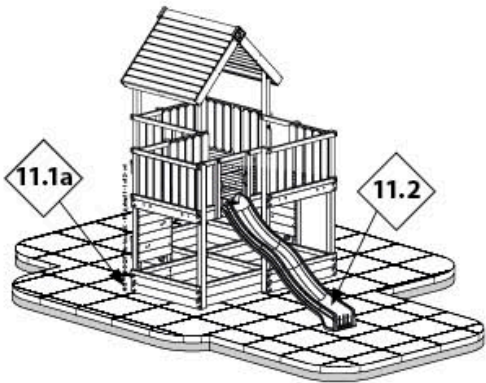
P3

P4

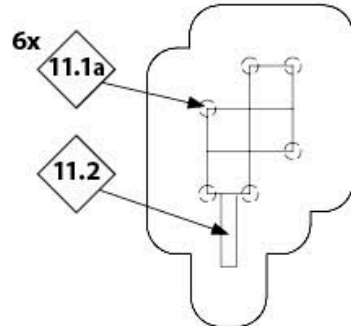
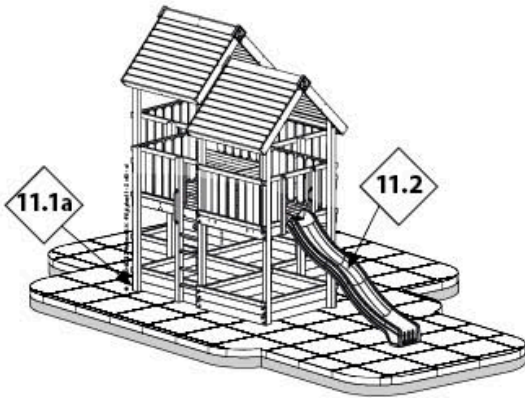


11.1

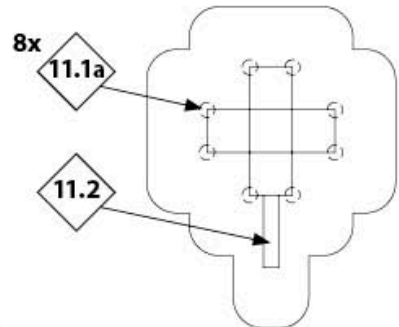
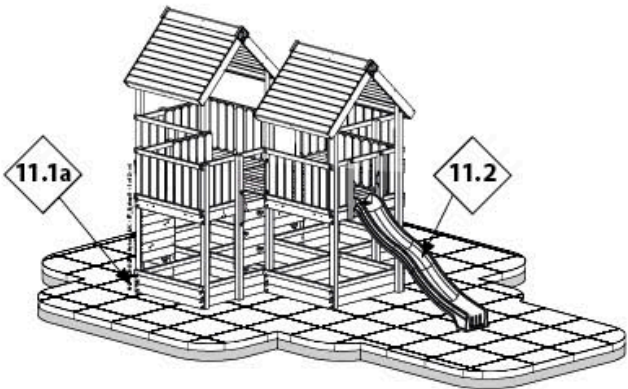
P5



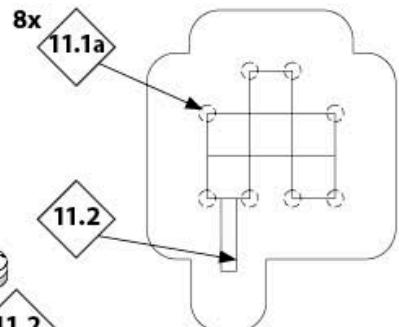
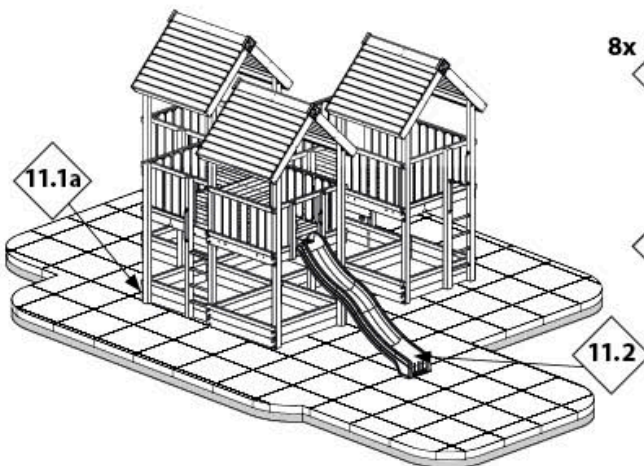
P6



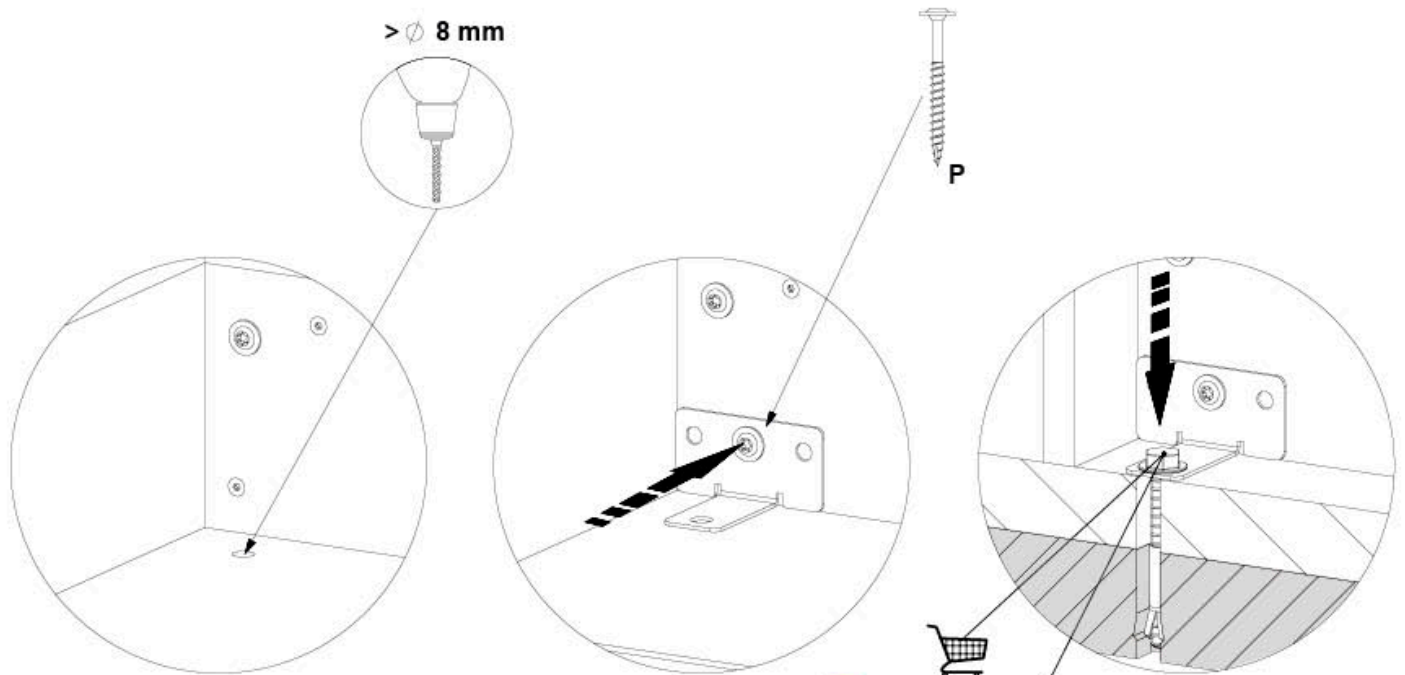
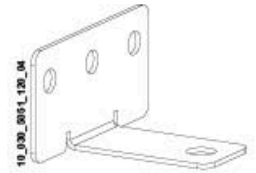
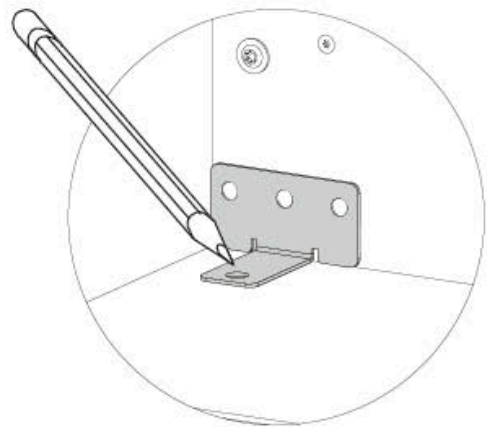
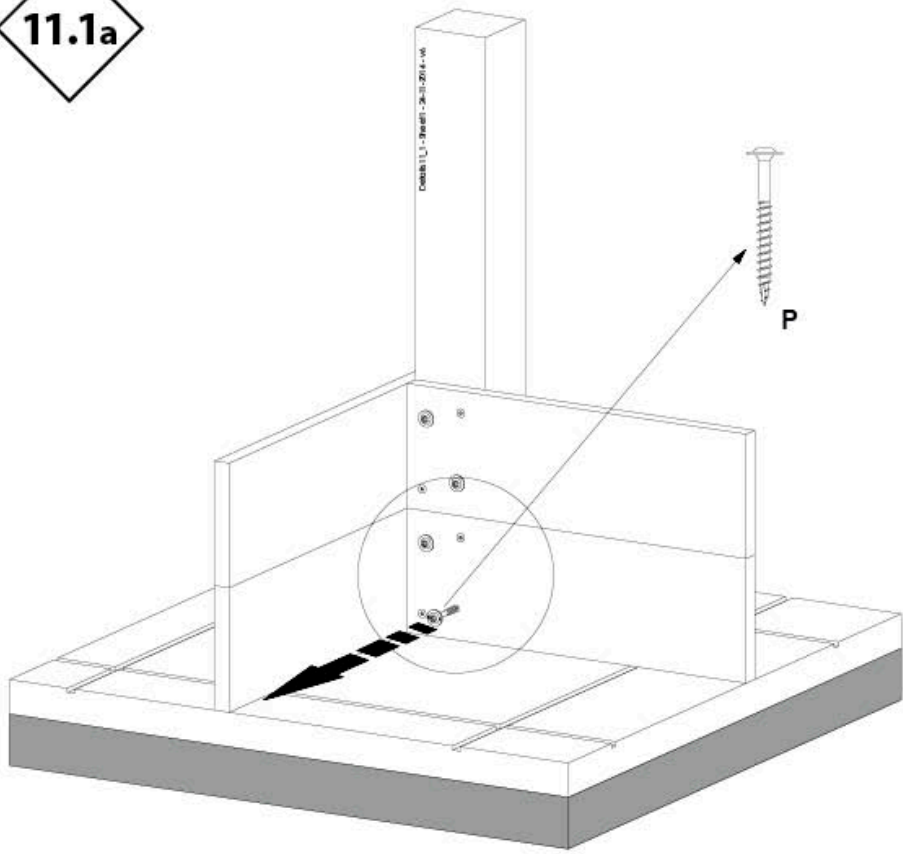
P7



P8



11.1a



**i** Part 1

11.1a

11.2



↓  
**Polyethylene  
Slide**



11.3



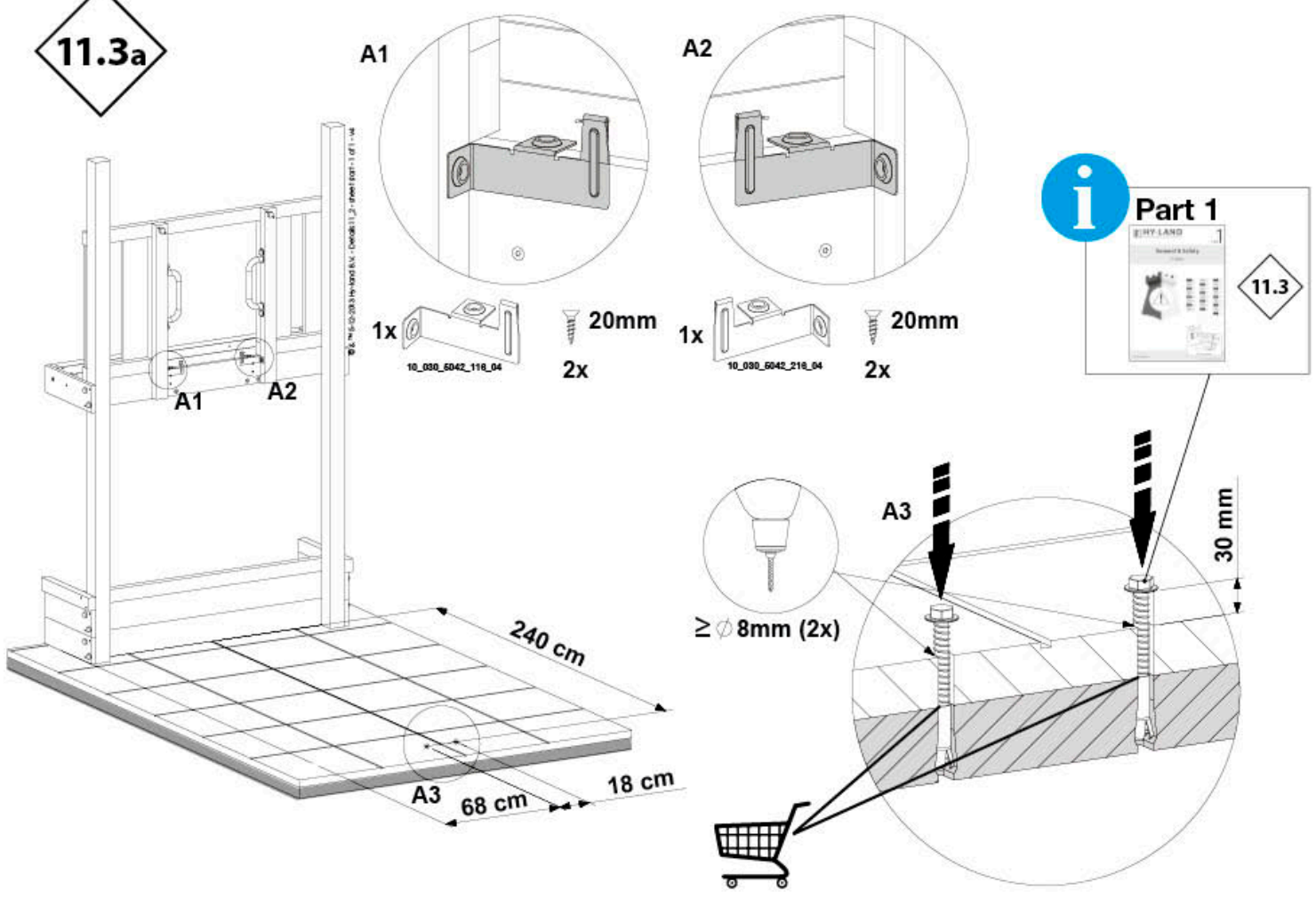
↓  
**Stainless Steel  
Slide**



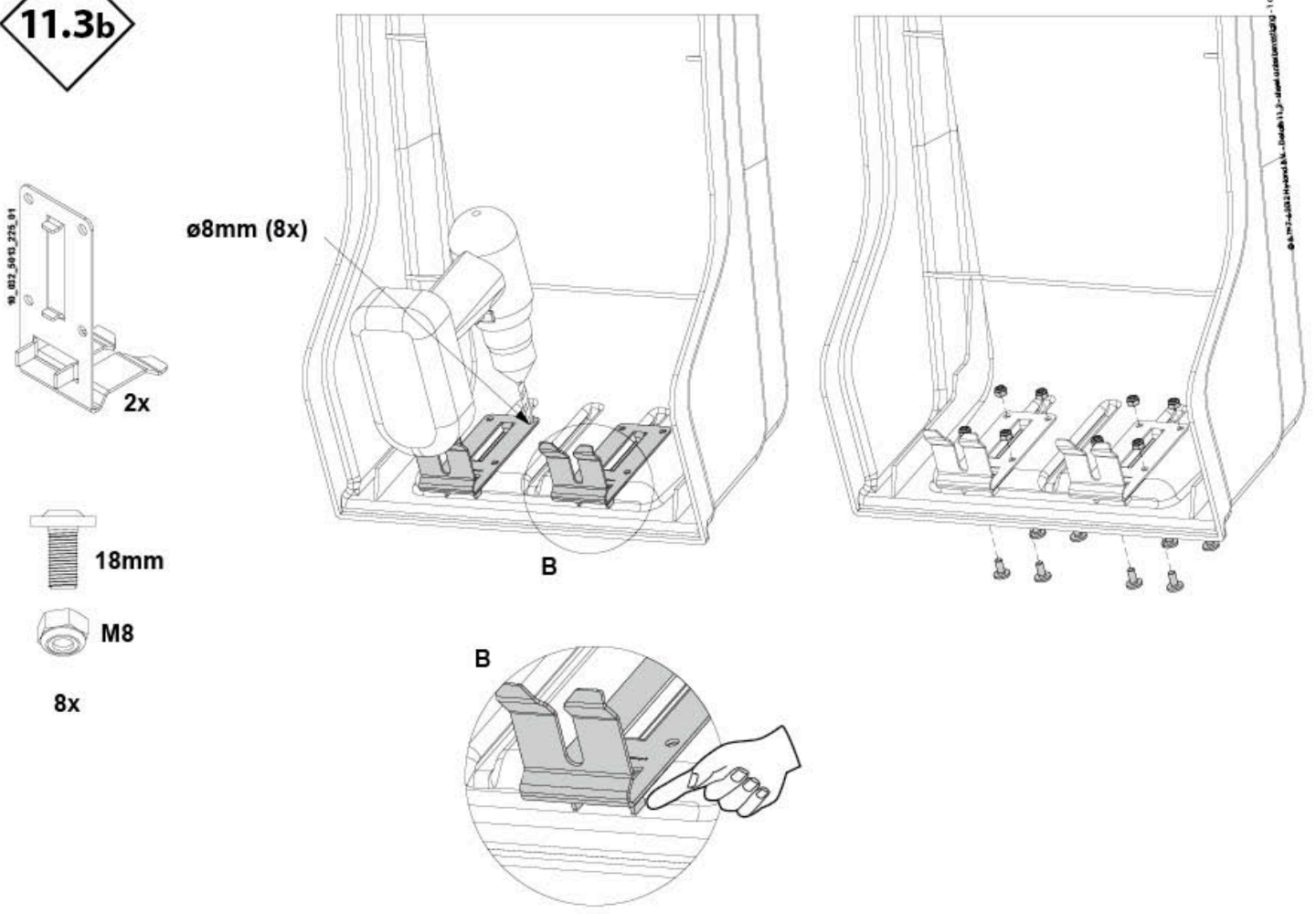
11.4



**11.3a**

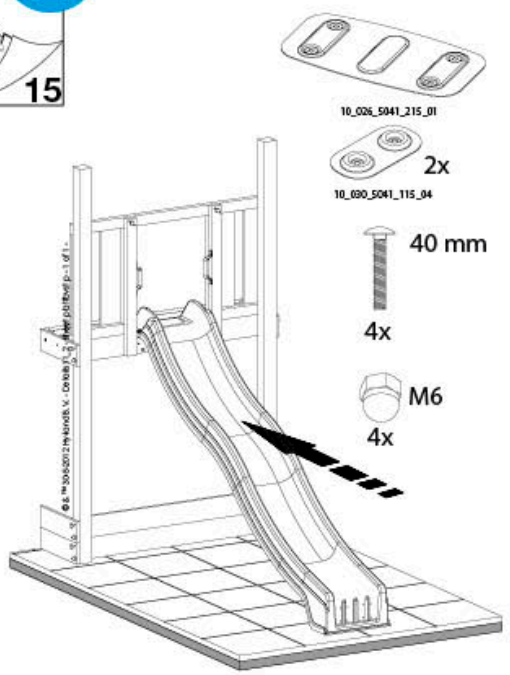


**11.3b**

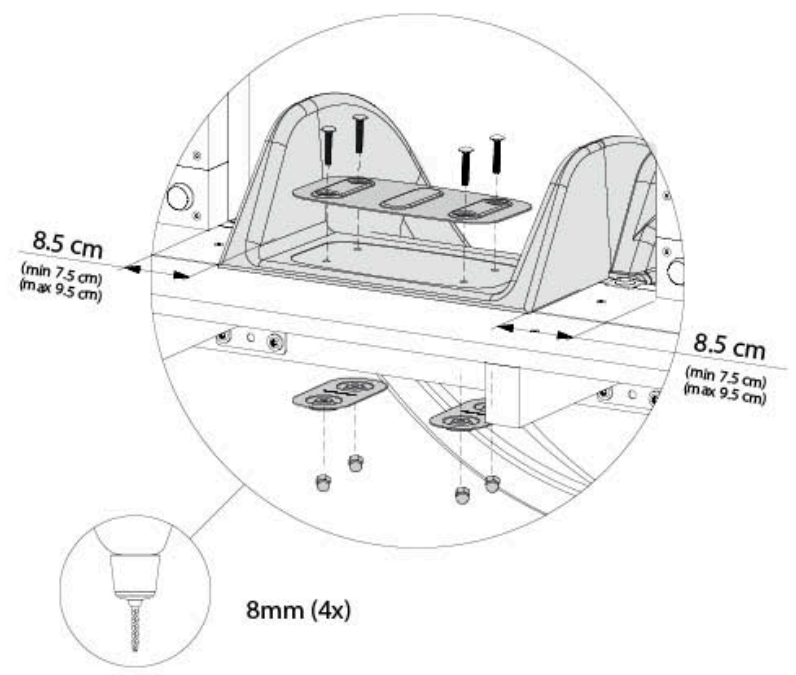




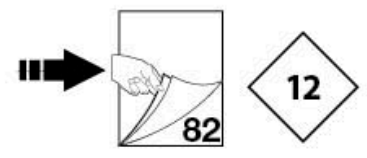
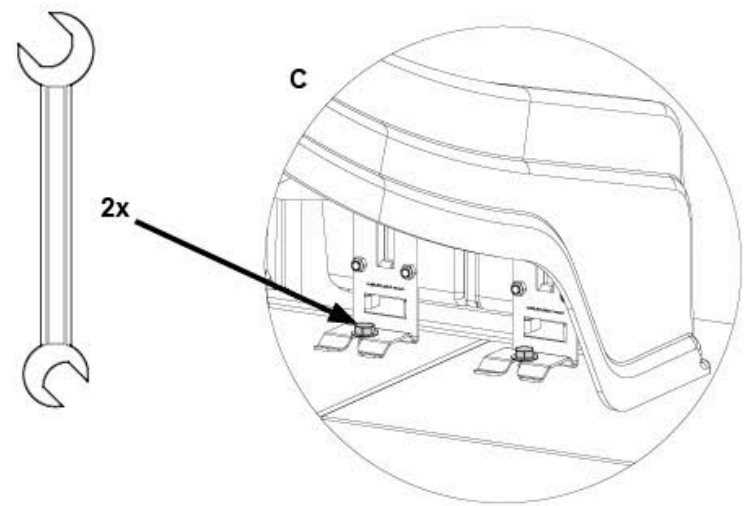
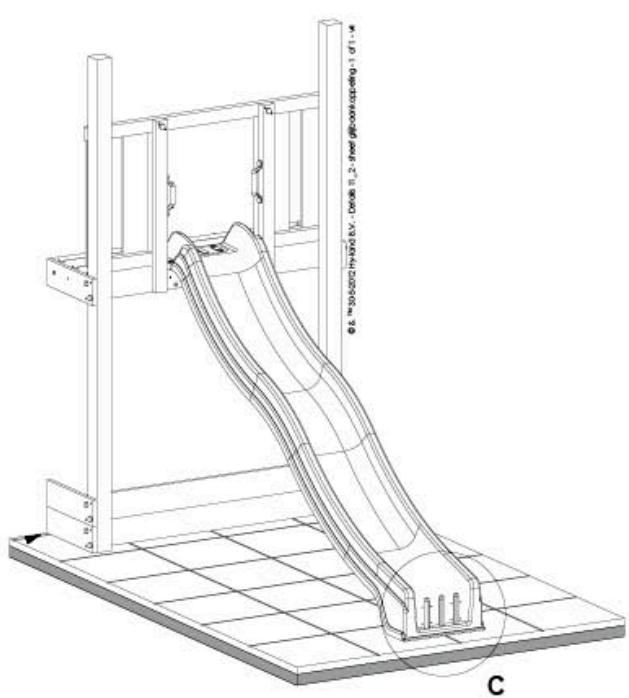
11.3c



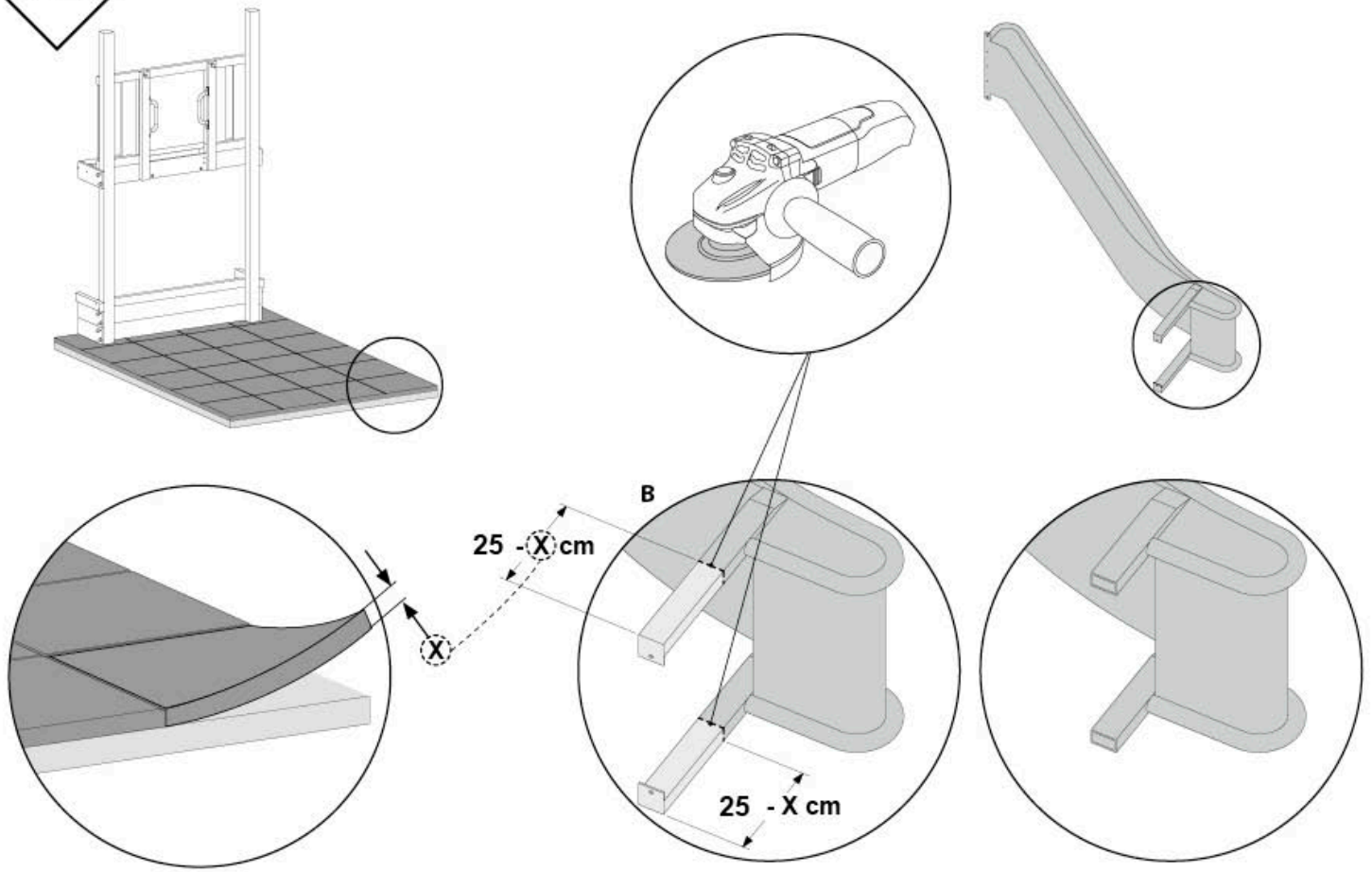
- 10\_026\_5041\_215\_01
- 2x 10\_030\_5041\_115\_04
- 40 mm
- 4x
- M6
- 4x



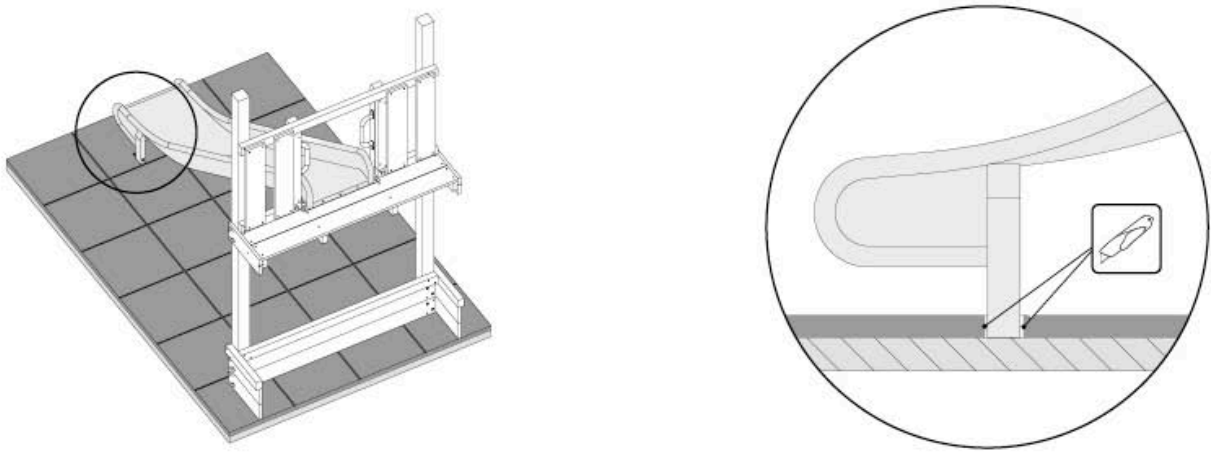
11.3d



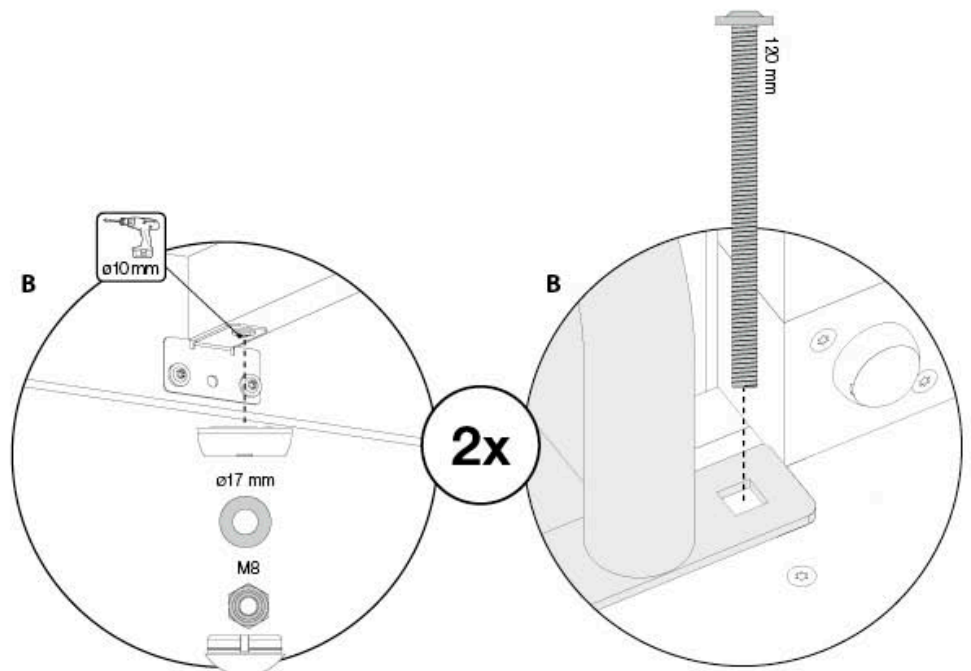
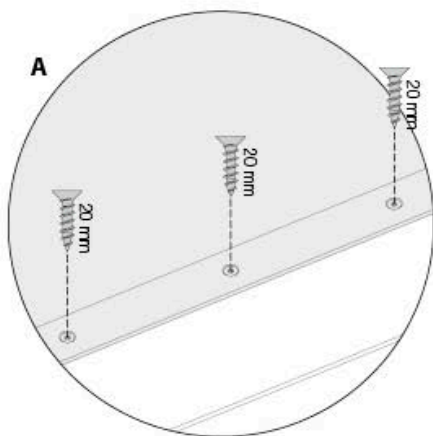
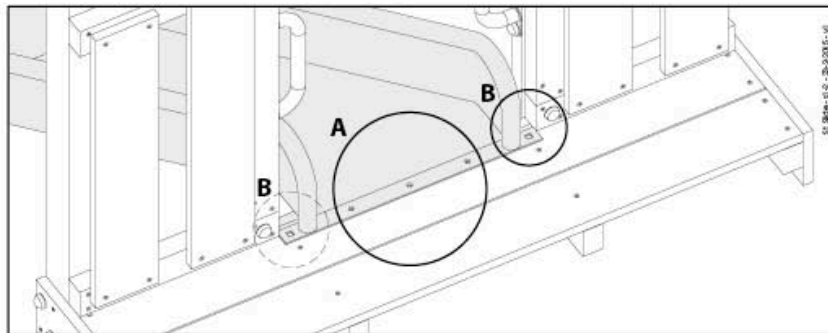
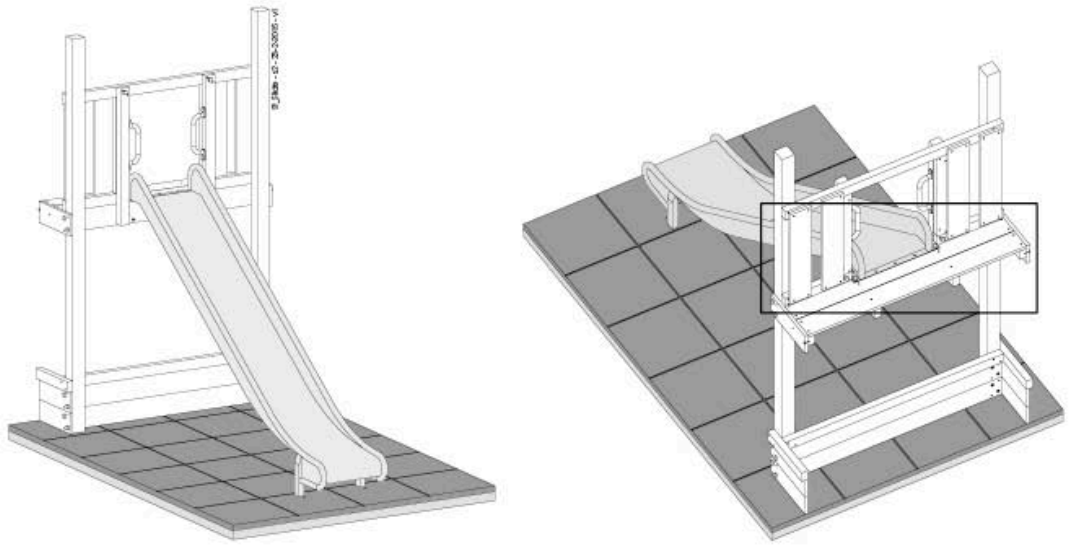
**11.4a**



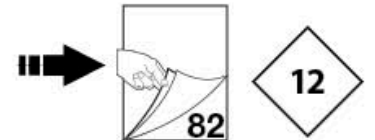
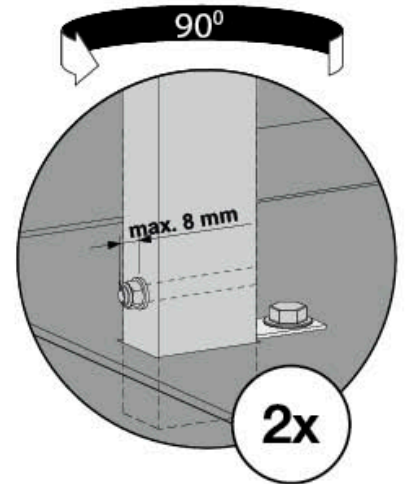
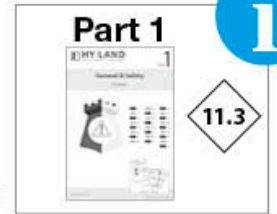
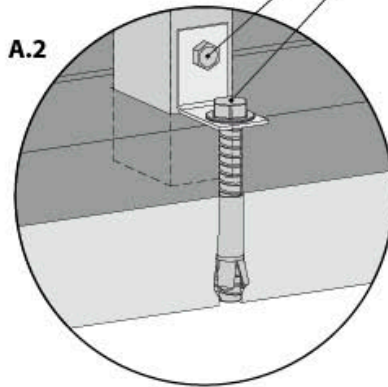
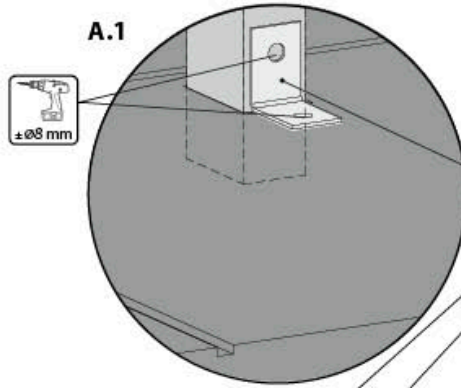
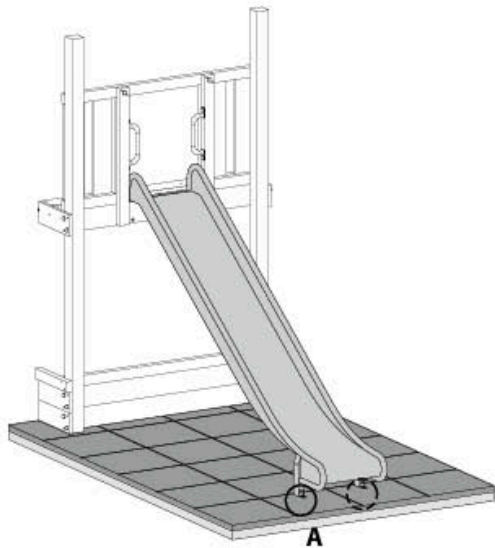
**11.4a**



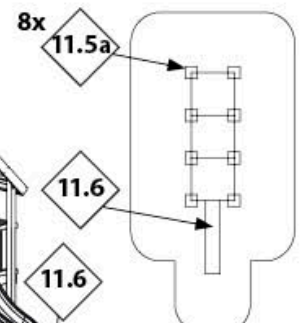
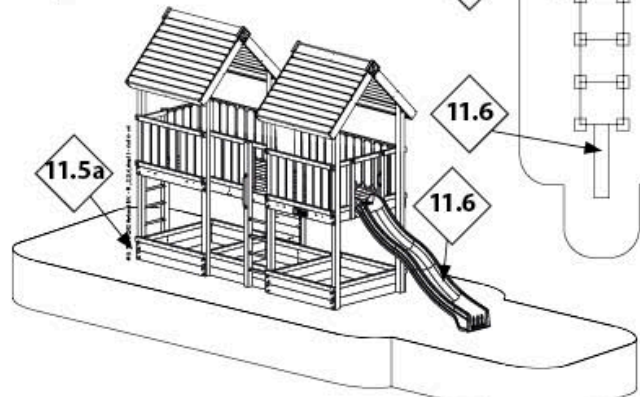
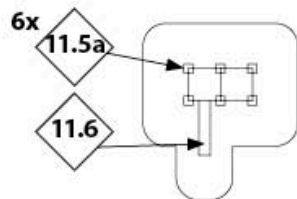
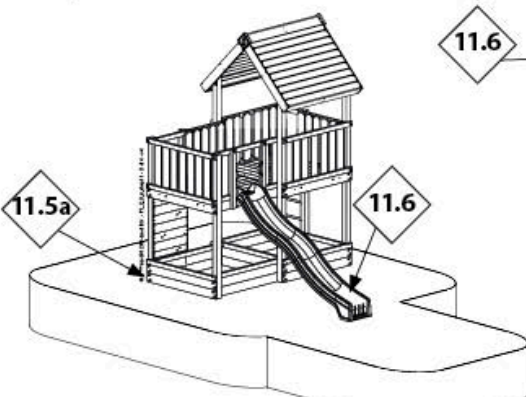
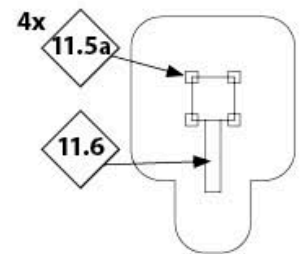
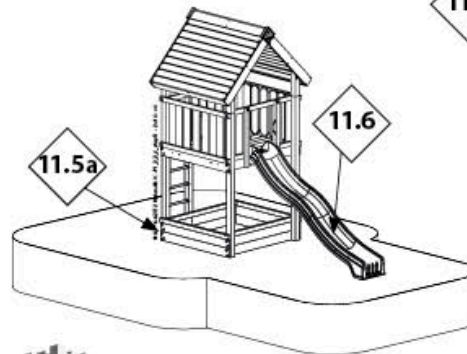
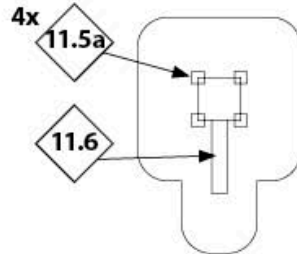
11.4c



**11.4d**



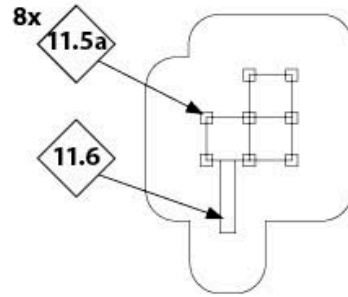
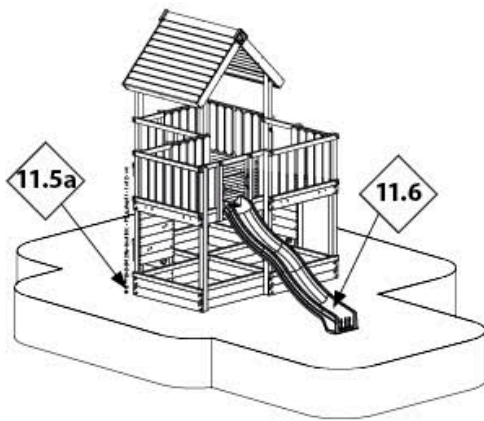
**11.5**



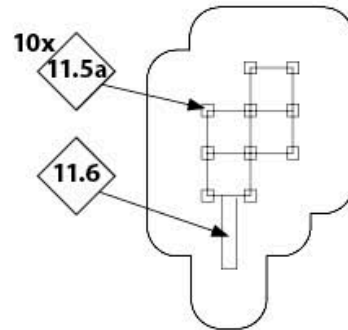
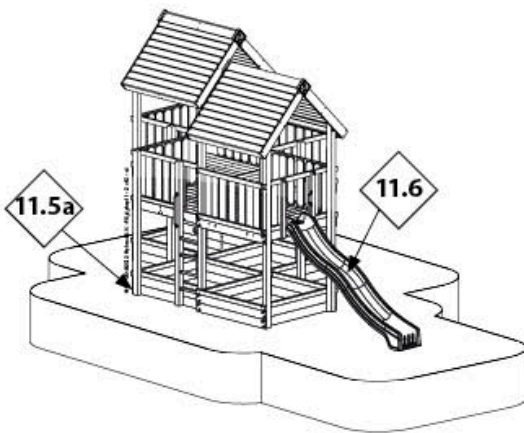


# 11.5

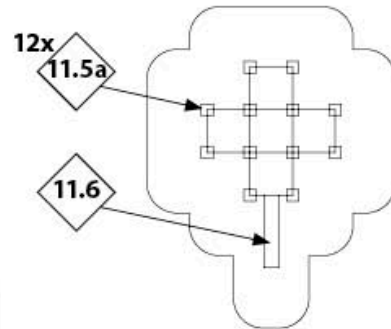
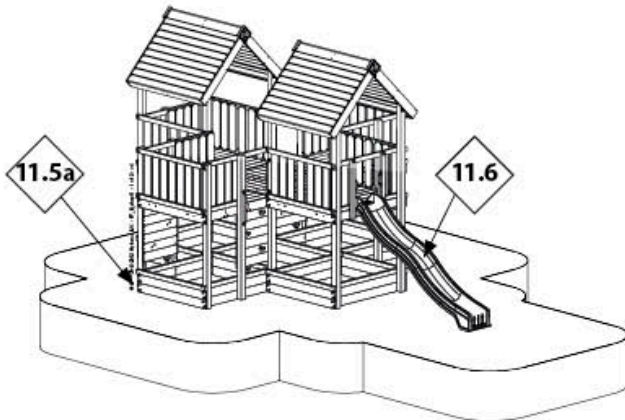
P5



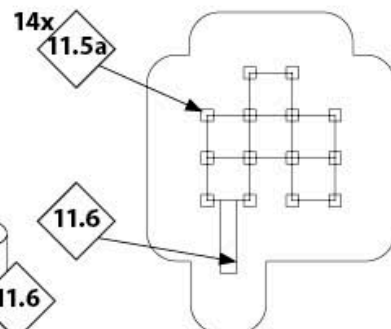
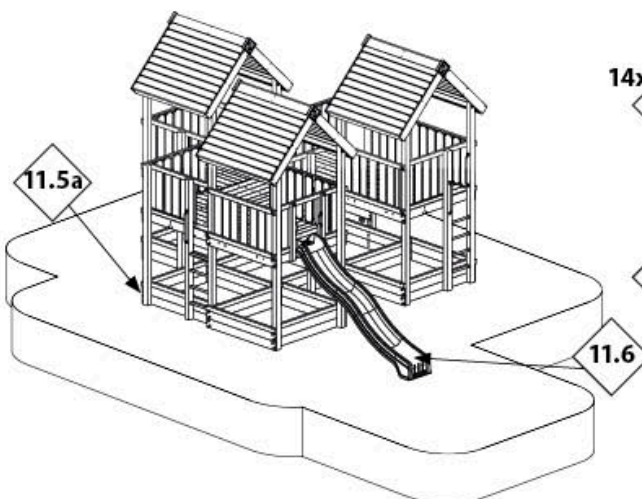
P6



P7



P8

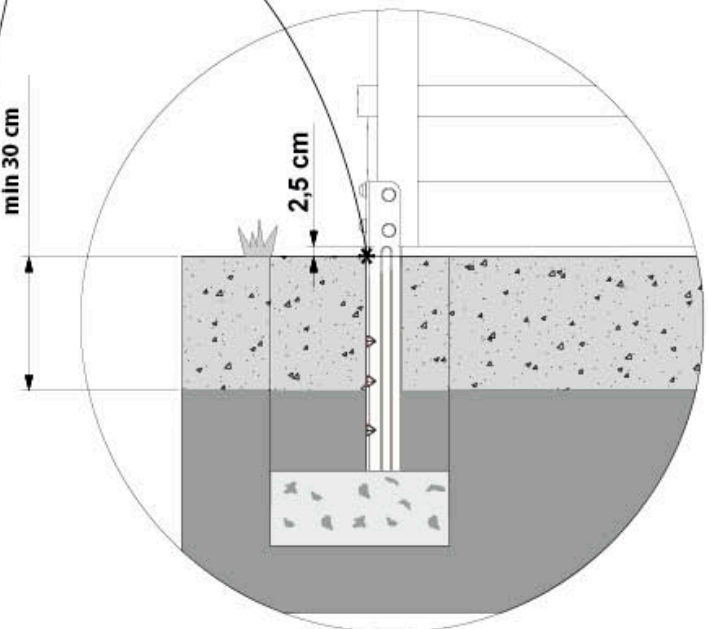
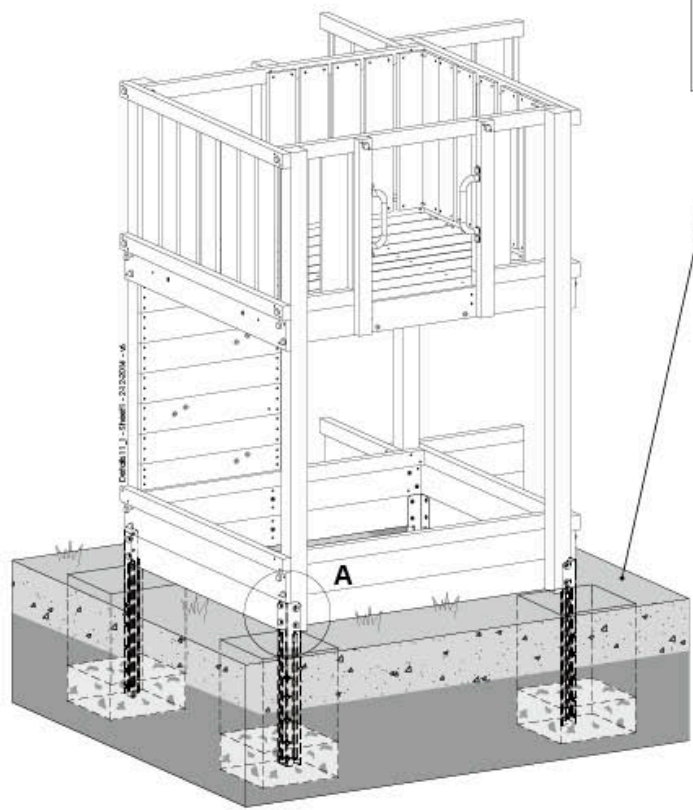
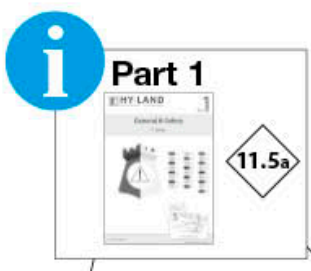




11.5a



10\_460\_0619\_103\_26



11.6



Polyethylene Slide

Stainless Steel Slide

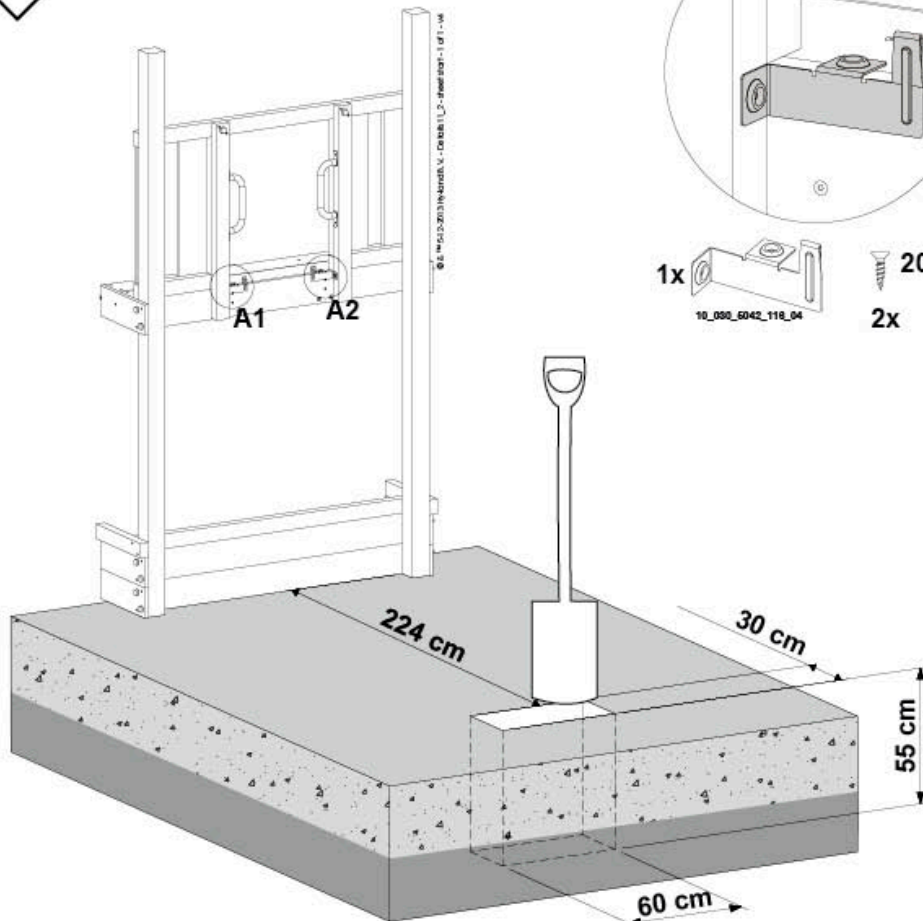


11.7



11.8

11.7a



A1

A2

1x

10\_090\_6042\_118\_04

20mm

2x

1x

10\_090\_6042\_218\_04

20mm

2x

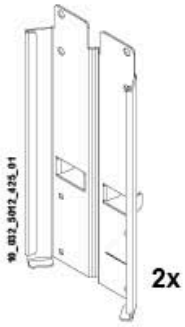


Part 1

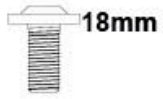
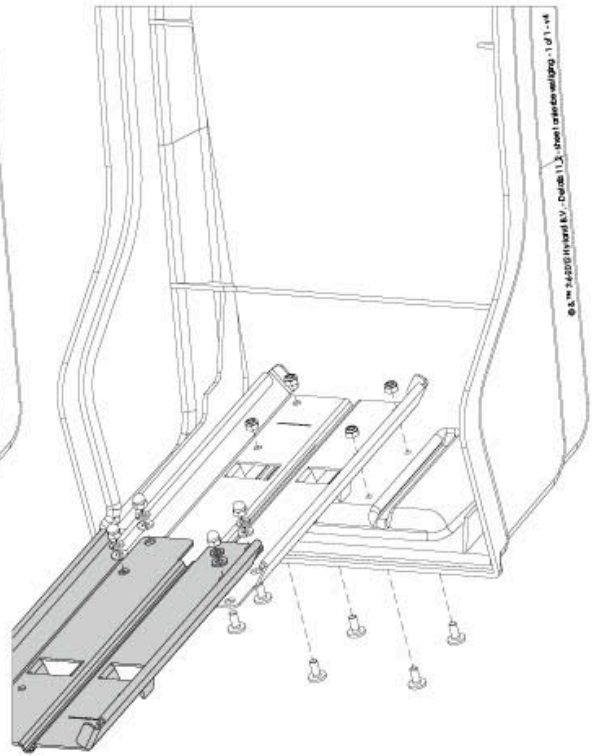
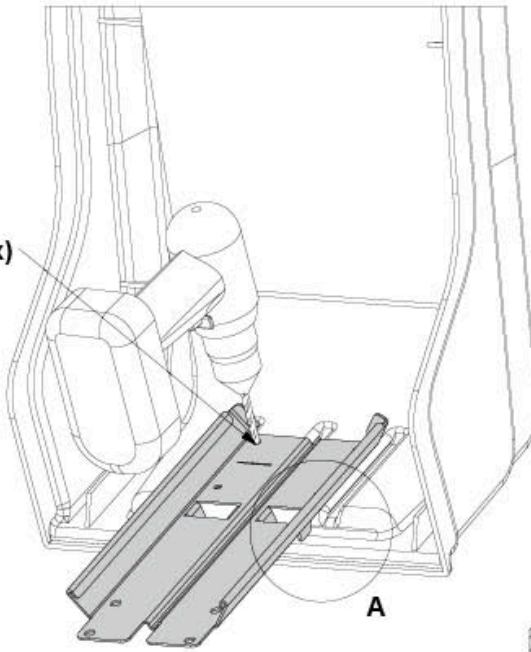


11.7

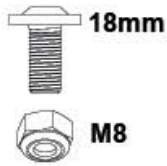
# 11.7b



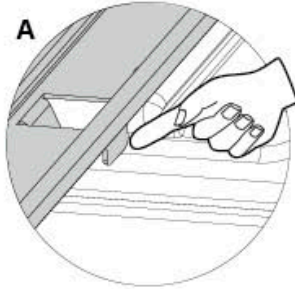
ø8mm (4x)



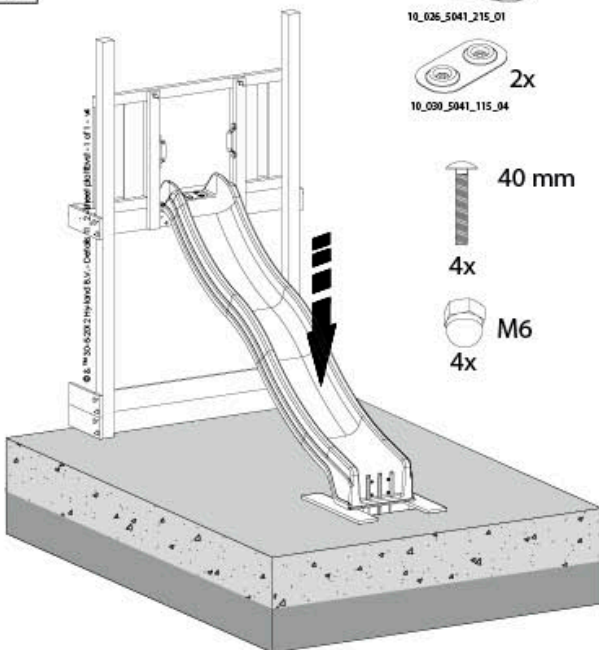
4x



4x



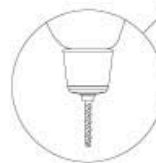
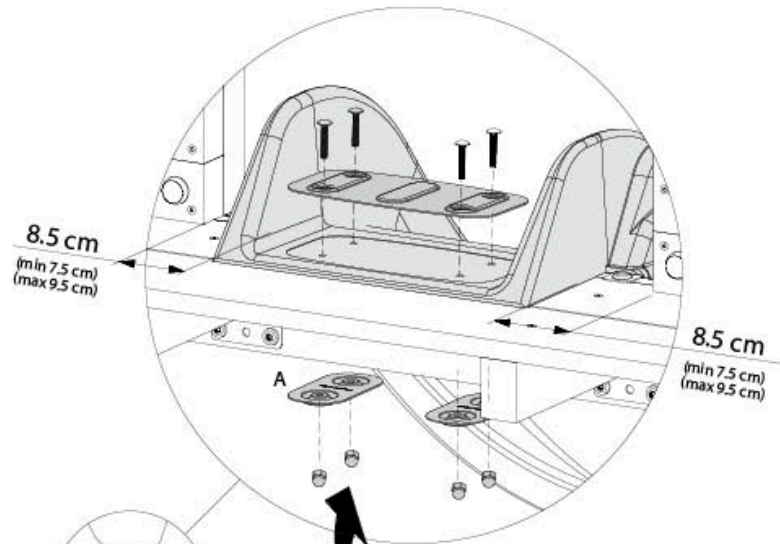
# 11.7c



4x

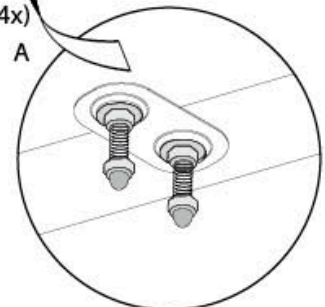


4x

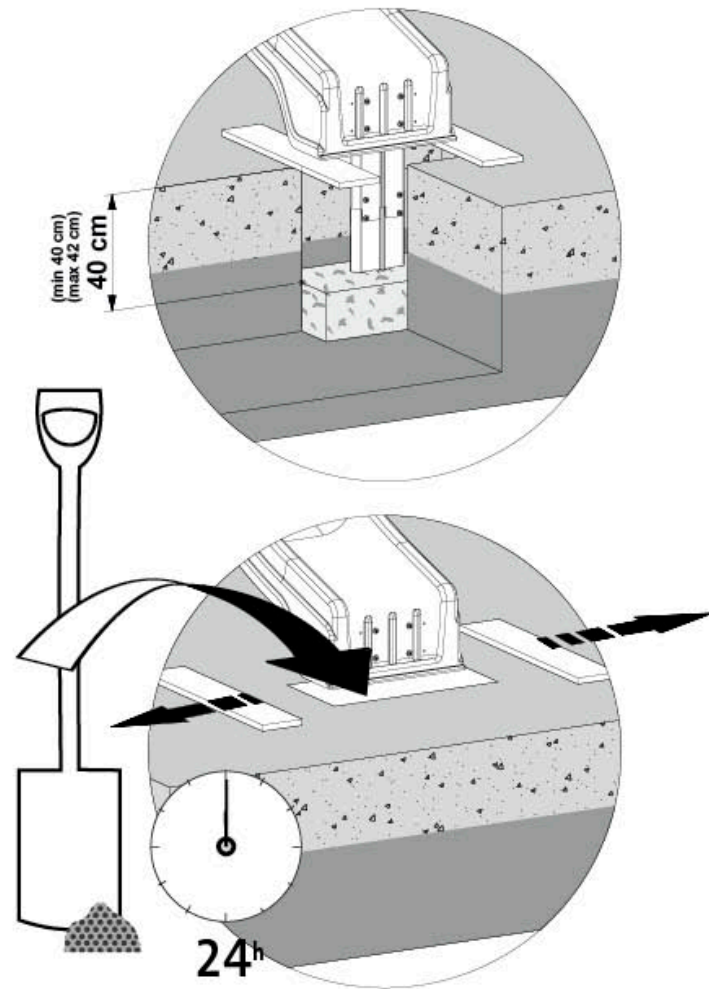
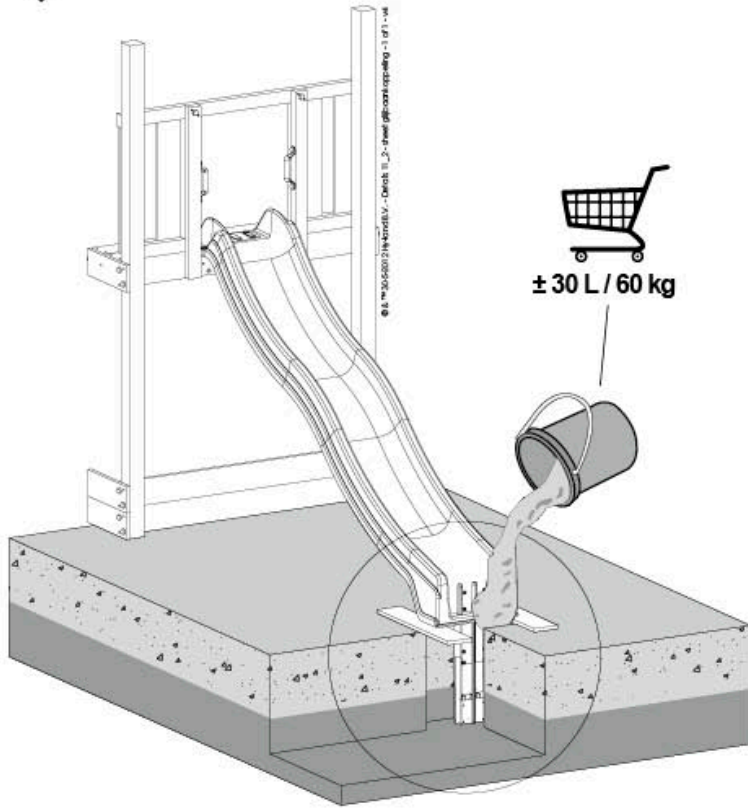


8mm (4x)

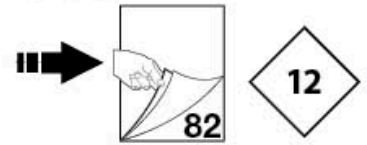
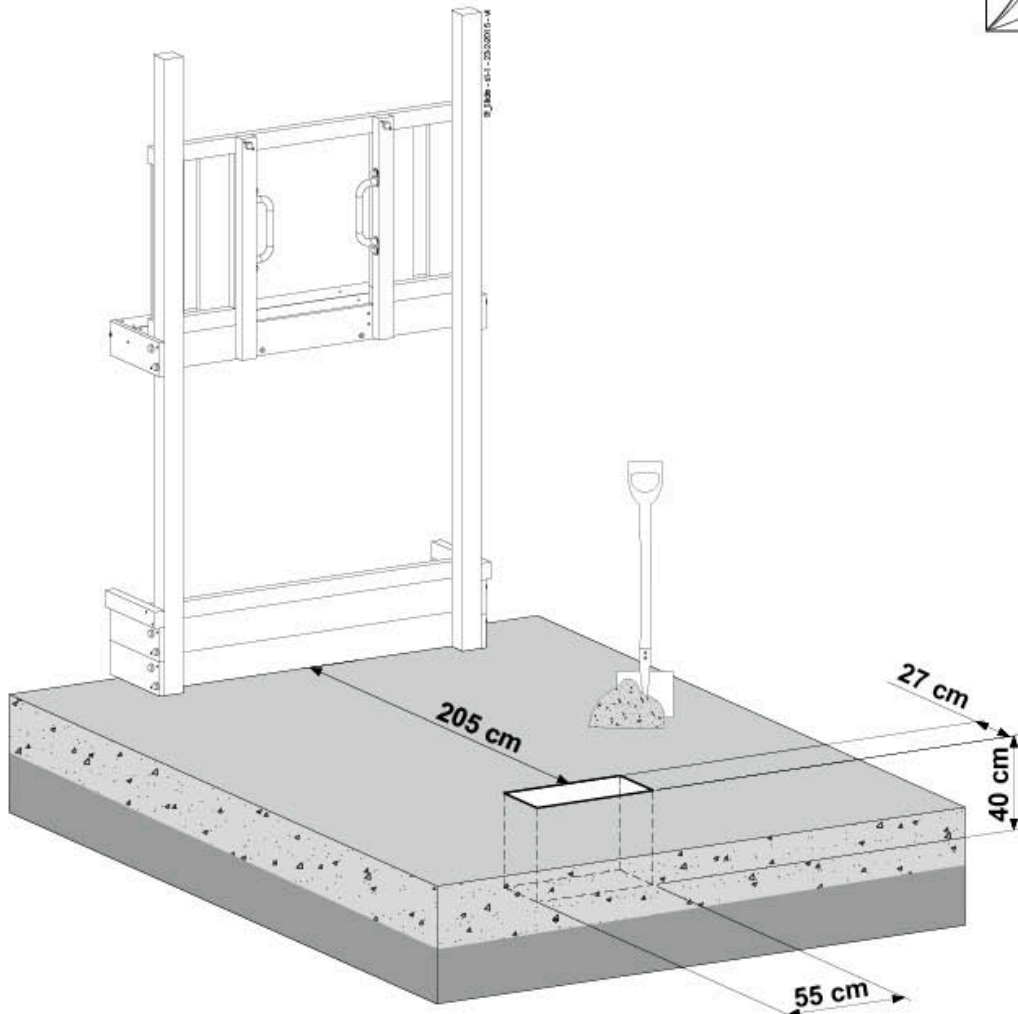
A



11.7d

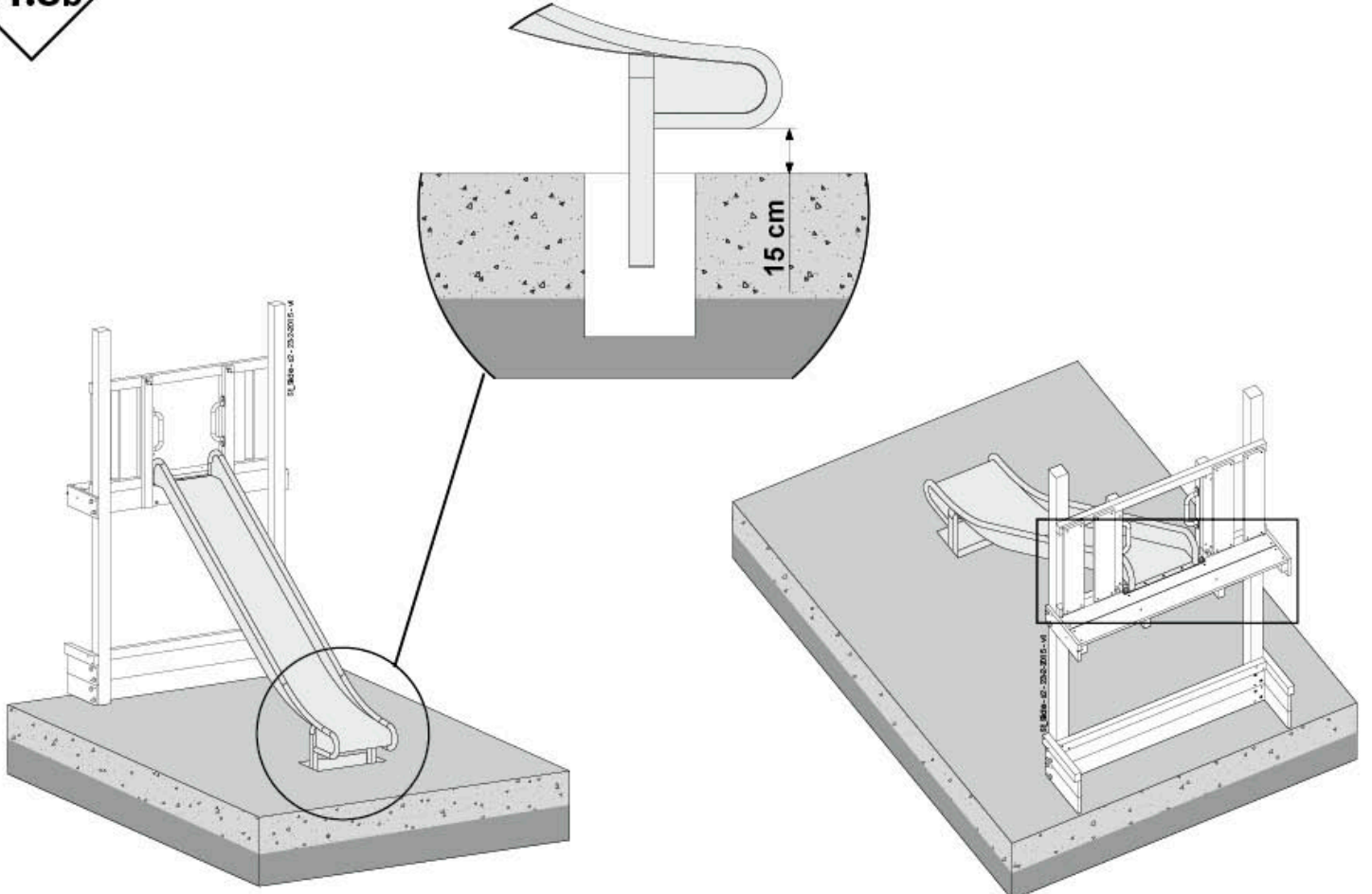


11.8a

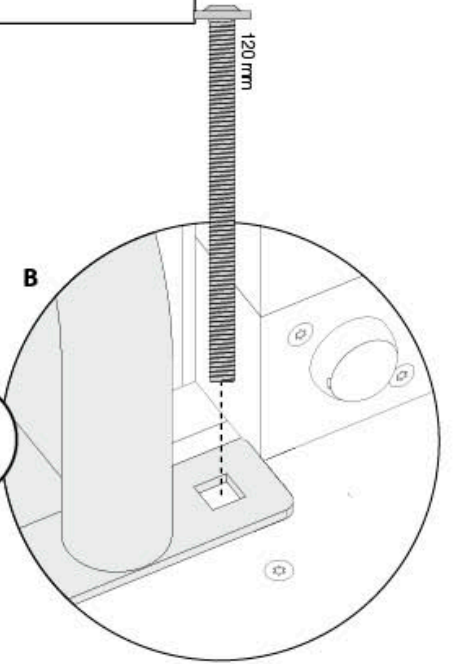
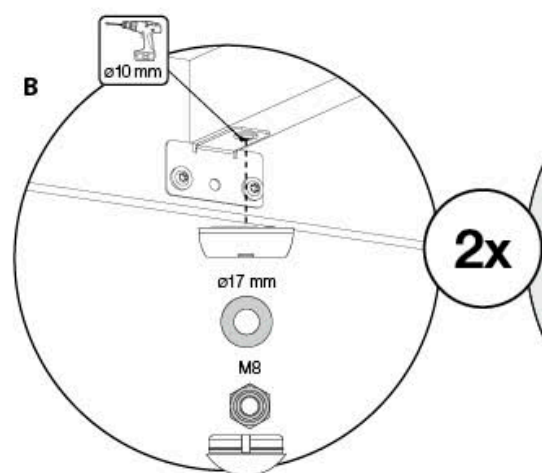
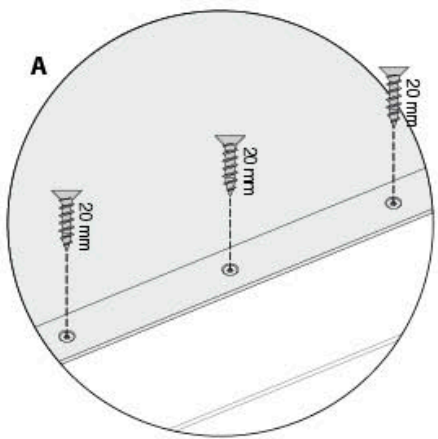
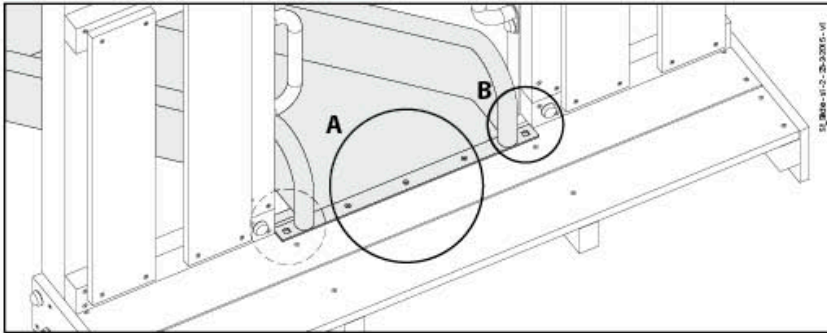




**11.8b**

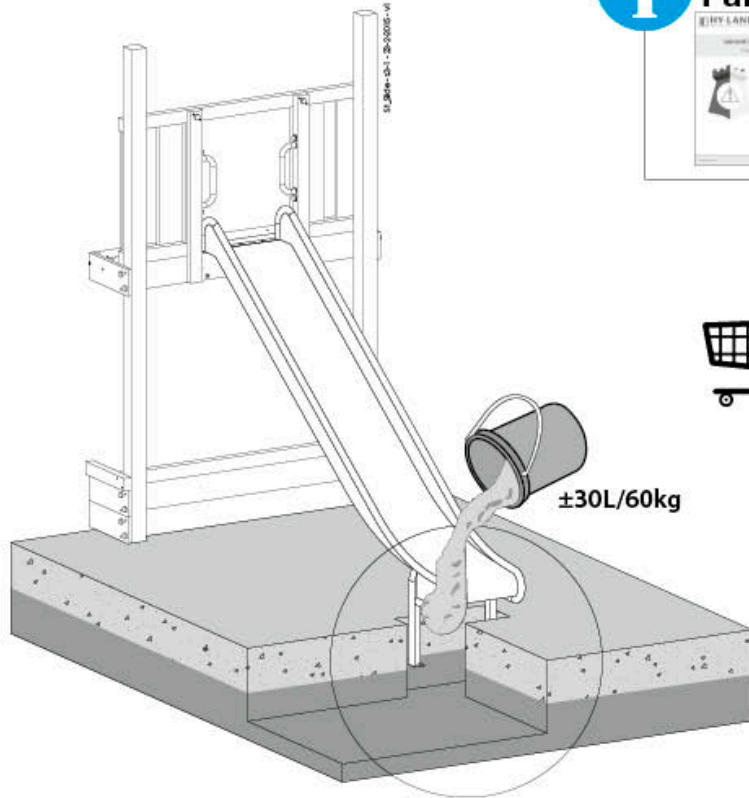


**11.8c**

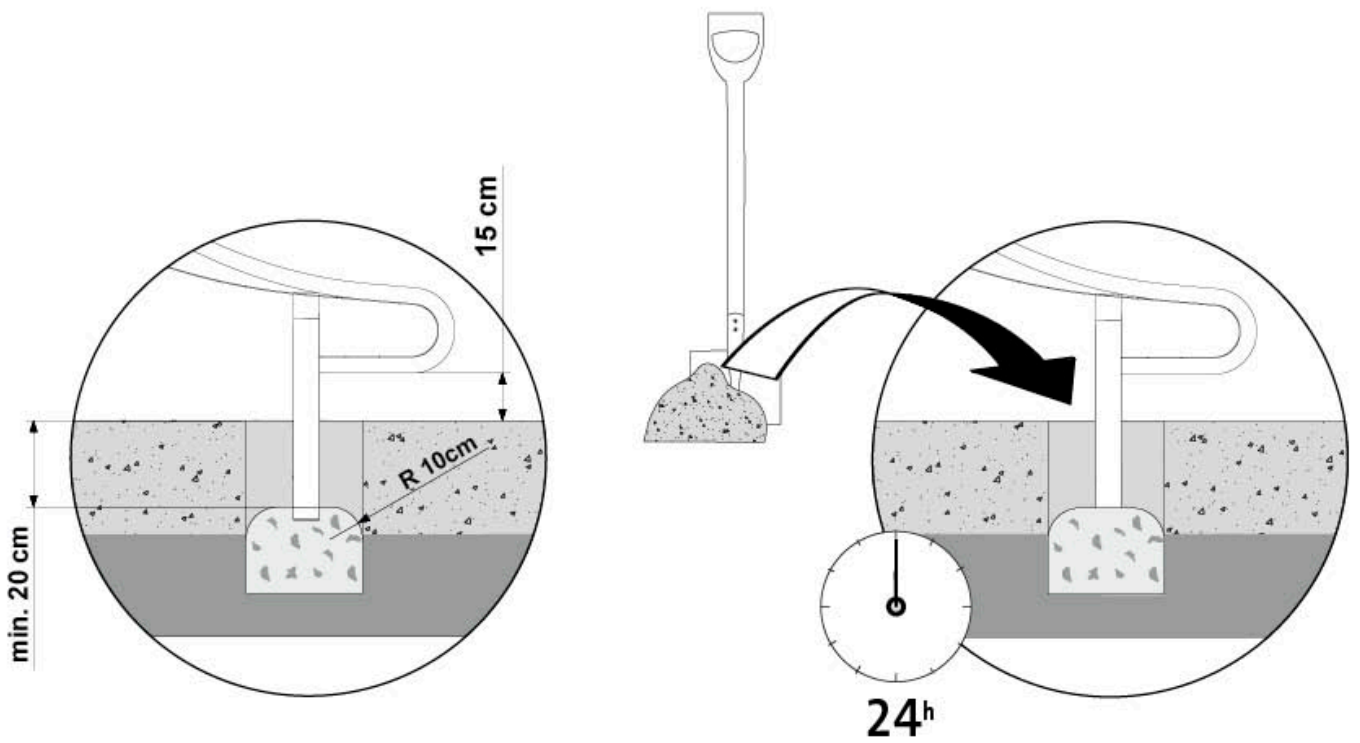




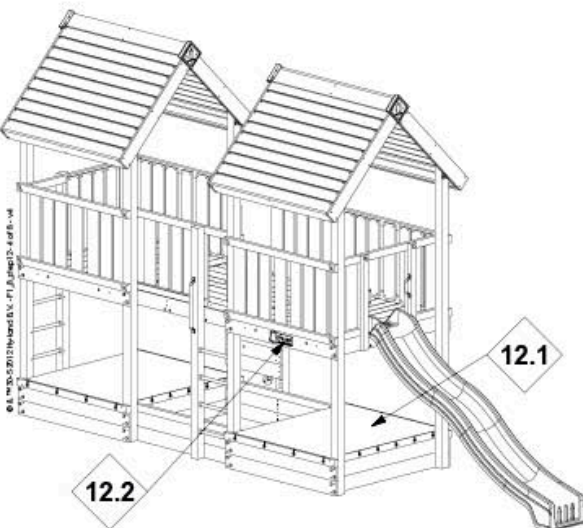
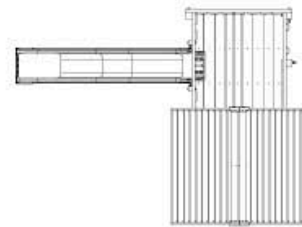
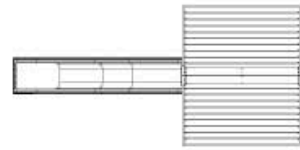
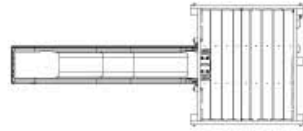
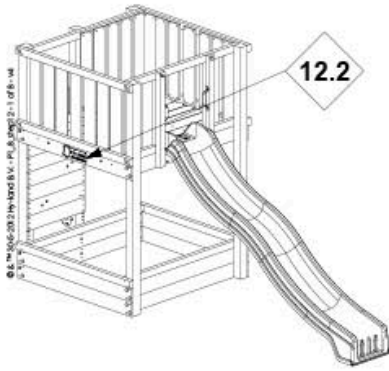
11.8d



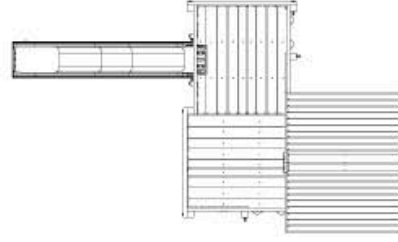
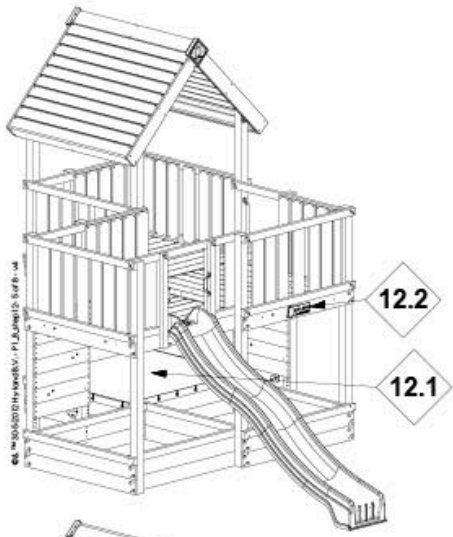
11.8e



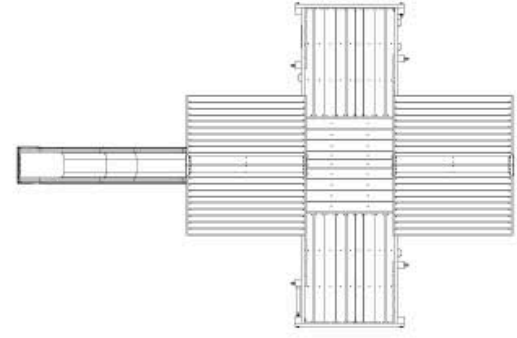
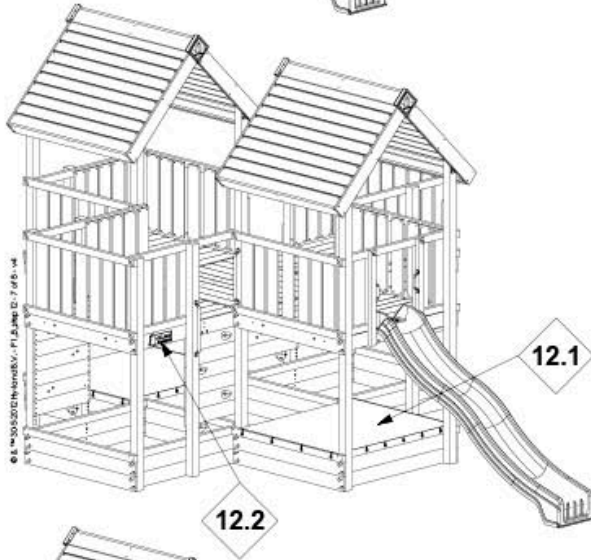
# 12



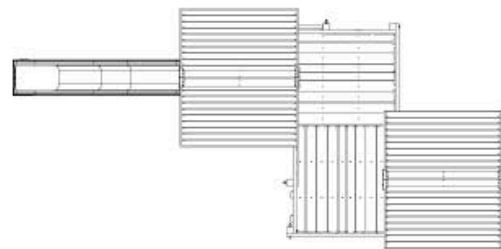
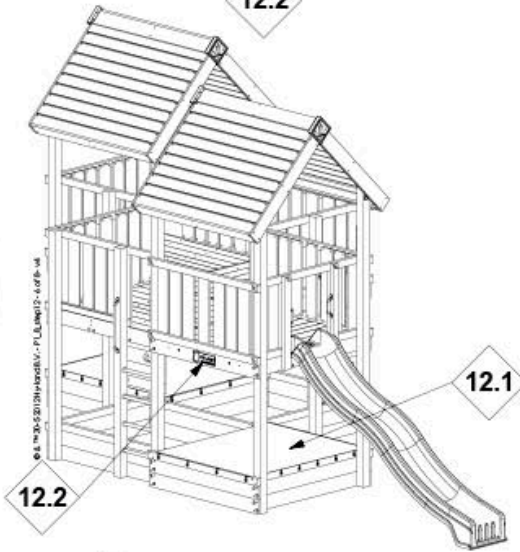
5



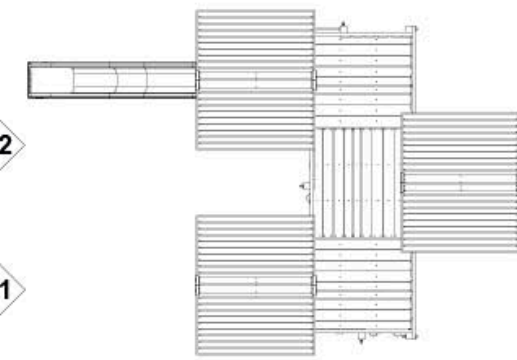
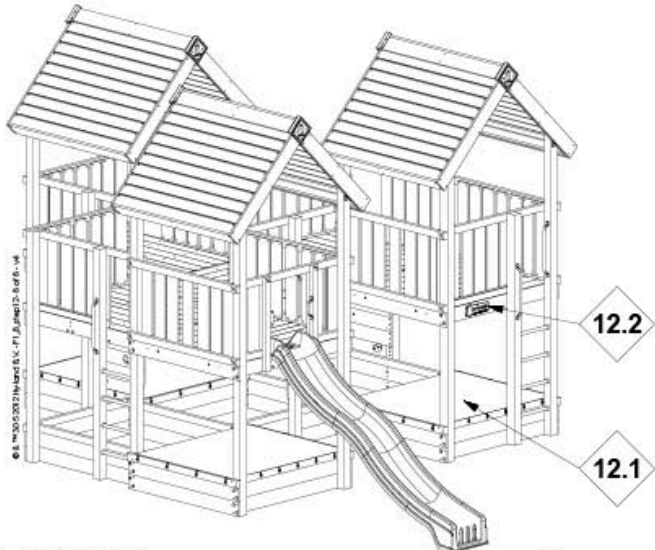
6



7



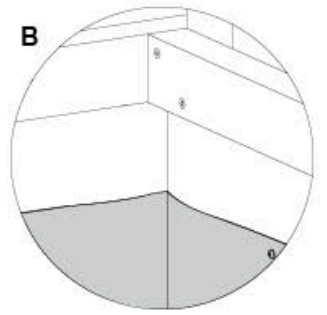
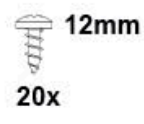
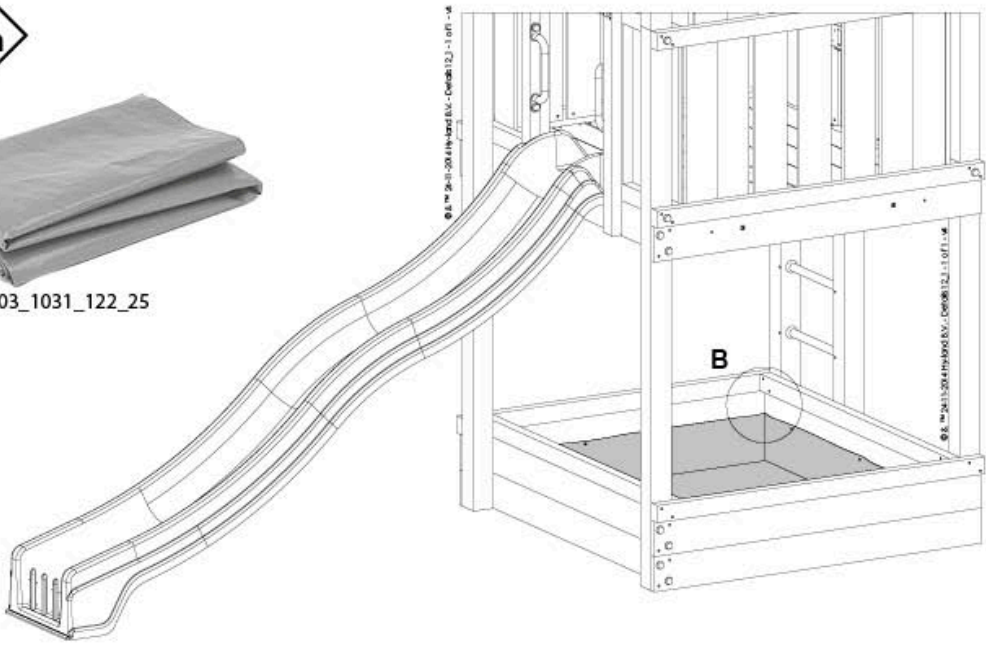
8



**12.1a**



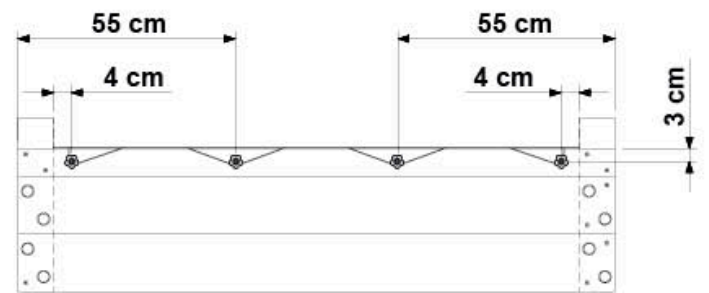
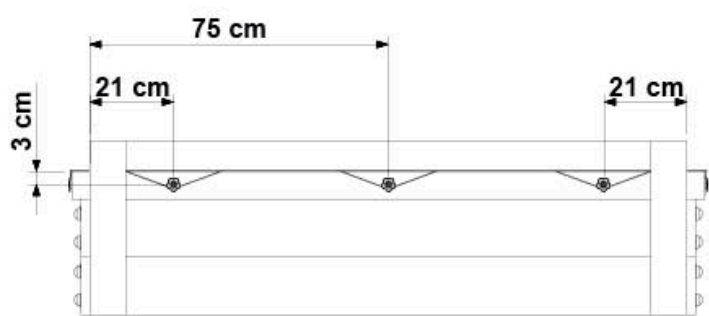
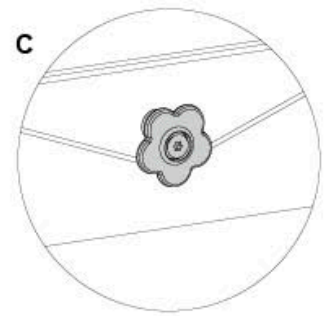
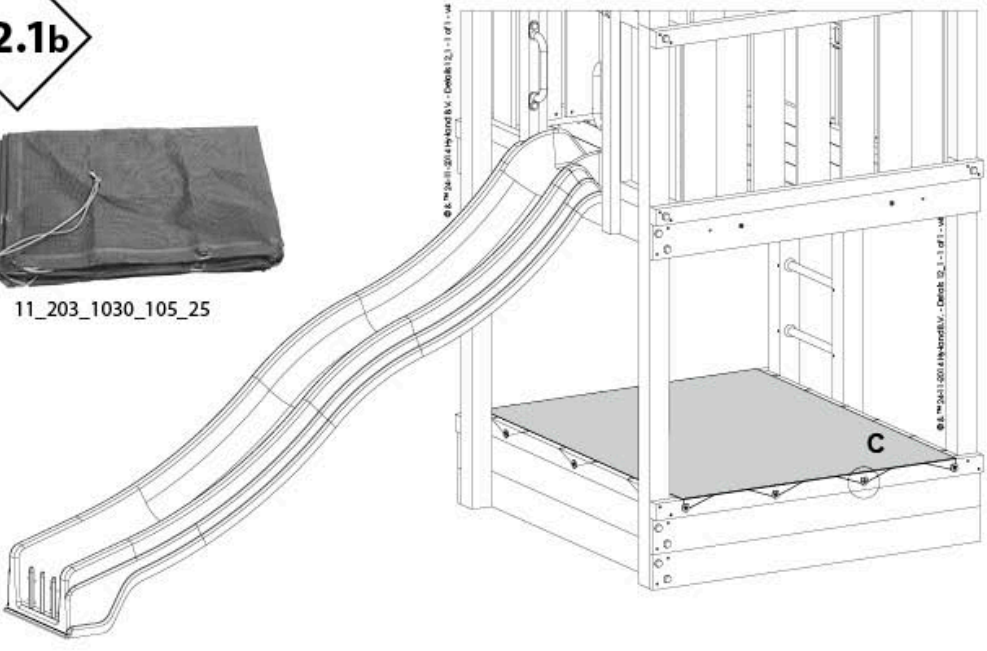
11\_203\_1031\_122\_25



**12.1b**



11\_203\_1030\_105\_25







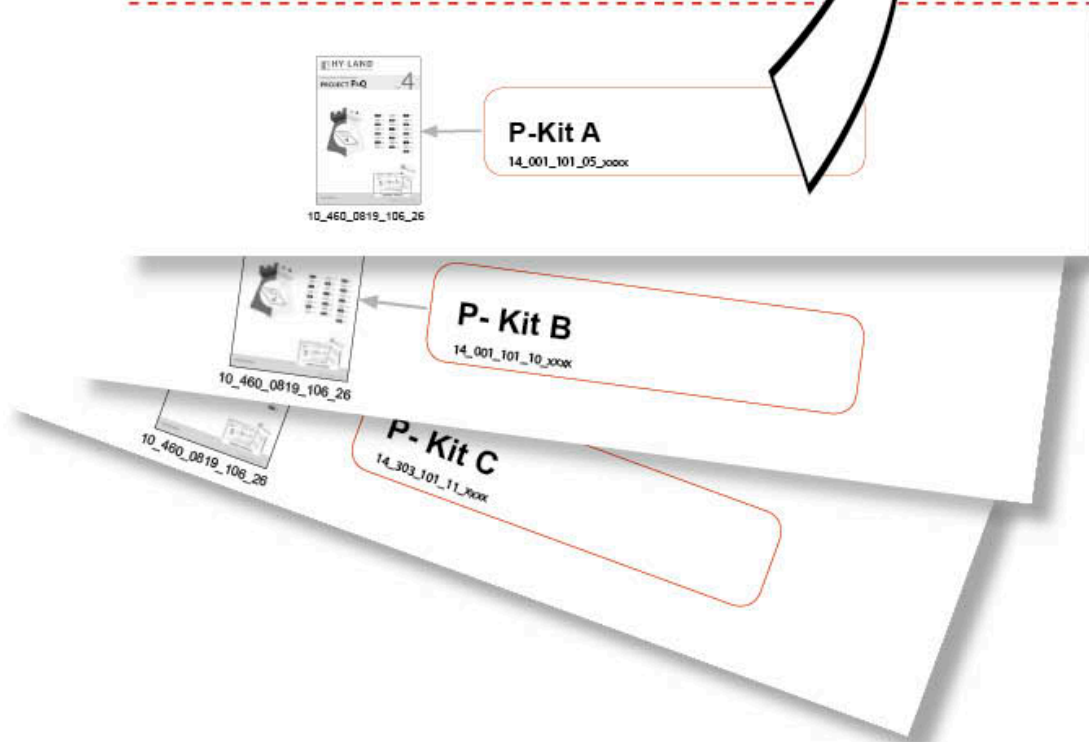
### Your Project data

- 1 HY-LAND
- 2 Project no.  Serial no. K10:
- 3

Hy-Slide Groen  Hy-Slide Stoel

Name of contractor:  Hy-Land  
 Address:  Rotterdamse 10  
 Postcode:  1052 CA Amsterdam  
 Country:  The Netherlands  
 Phone number:  020 688 21 01  
 E-mail:  info@hy-land.eu  
 Website:  www.hy-land.eu

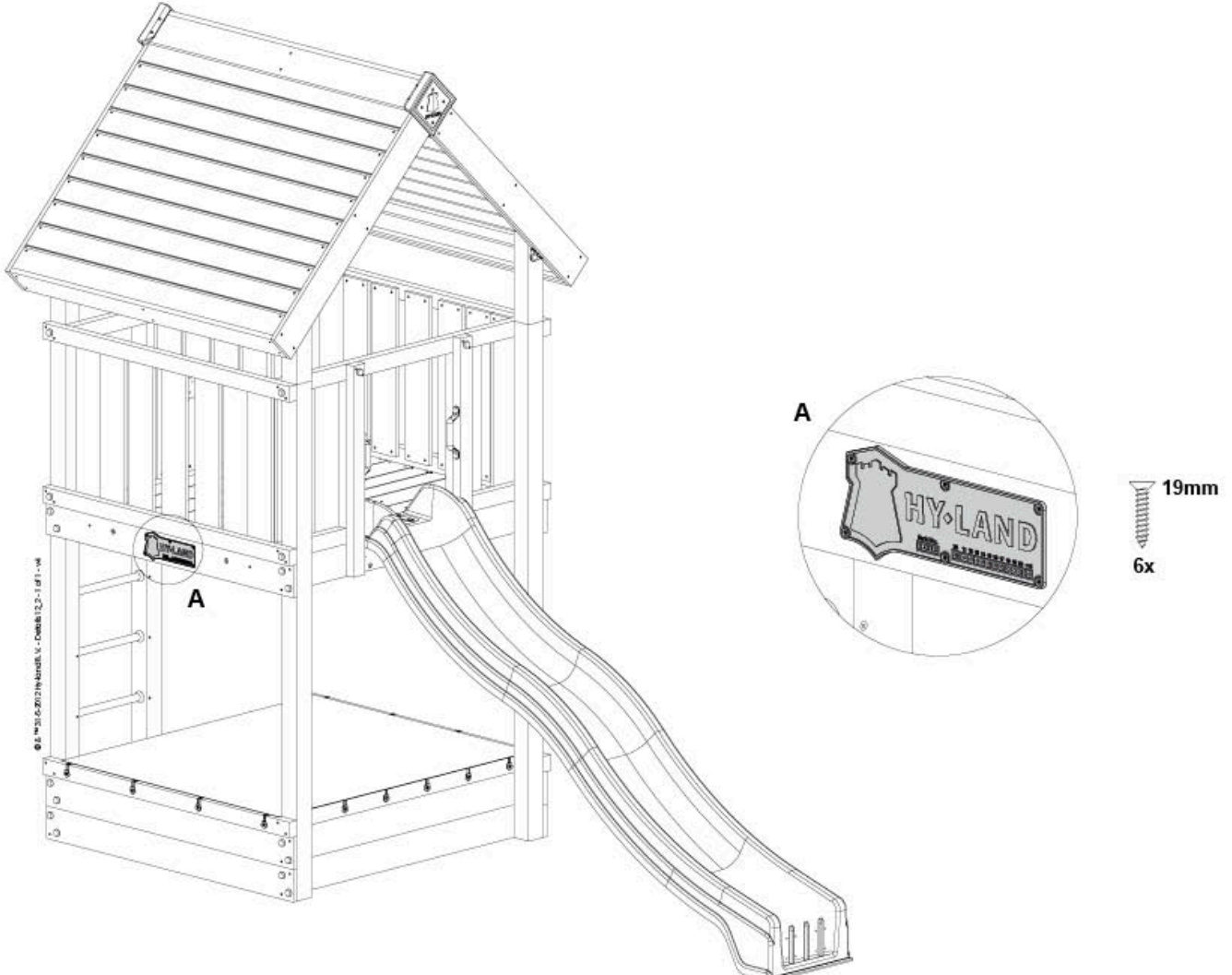
Name of customer:   
 Address:   
 Postcode:   
 Country:   
 Phone number:   
 E-mail:   
 Name of installer:   
 Address:   
 Postcode:   
 Country:   
 Phone number:   
 E-mail:   
 Name of distributor:   
 Address:   
 Postcode:   
 Country:   
 Phone number:   
 E-mail:





12.2b

10\_209\_2071\_103\_24





Hy-land B.V.  
Valschermkade 18  
NL - 1059 CD Amsterdam  
The Netherlands

Tel : +31 85 444 41 01  
Email : [info@hy-land.eu](mailto:info@hy-land.eu)  
URL : [www.hy-land.eu](http://www.hy-land.eu)

Chamber of Commerce :  
NL 16.078.319

10\_460\_0019\_101\_26\_0801 AS\_Part\_3\_P - 20190308

