

TECHNICAL DATA:

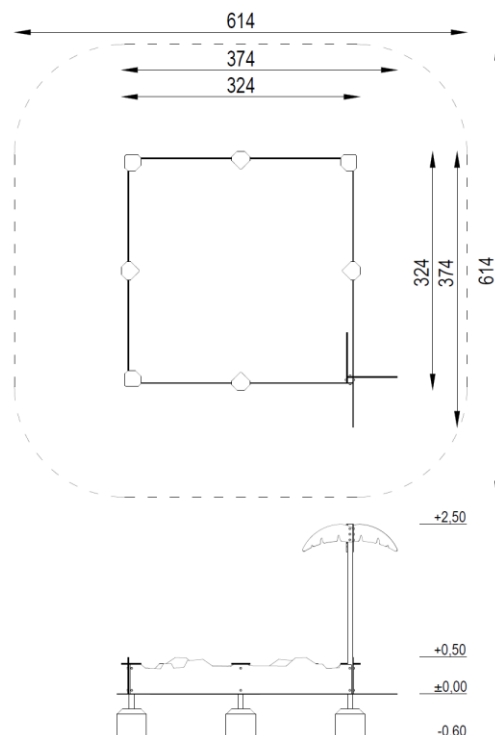
Easily accessible device,
according to standard EN 1176-1:2017

- Device dimensions: 3,74 x 3,74m
- Device height: 2,50m
- Minimum space: 6,14 x 6,14m
- Falling area: 35,77m²
- Critical fall height: 0,50m
- Foundations depth: -0,60m

The device according to EN 1176-1:2017
Playground equipment and surfacing – Part 1:
General safety requirements and test methods

- Safety surfaces:
- paved, turf/topsoil, sand, gravel, bark, synthetic surface
 - minimal thickness for loose particulate materials 200+100mm
 - synthetic surface according to critical fall height

Projection and device view



MATERIALS:

Construction poles:	steel profiles, galvanized, powder coated in gray
Sandbox walls, seats:	HDPE sheets
Fossil imitation:	resin and fiberglass figure
Caps:	plastic
Foundations:	concrete min. C12/15 standard



GRUPA SATERNUS S. A.
ul. Nowa 32
41-500 Chorzów, Poland

Certificate beholder:
Producer:
Distributor:

GRUPA SATERNUS S. A. reserves all rights to protect copyright
Under the Act of February 4, 1994 on Copyright and Related Rights
(Journal of Laws No. 28, item 83), and in particular Art. 78 and 79 of this Law.

GRUPA SATERNUS S. A.
Saternus Production Sp. z o.o. sp. k.
Saternus Distribution Sp. z o.o. sp. k.